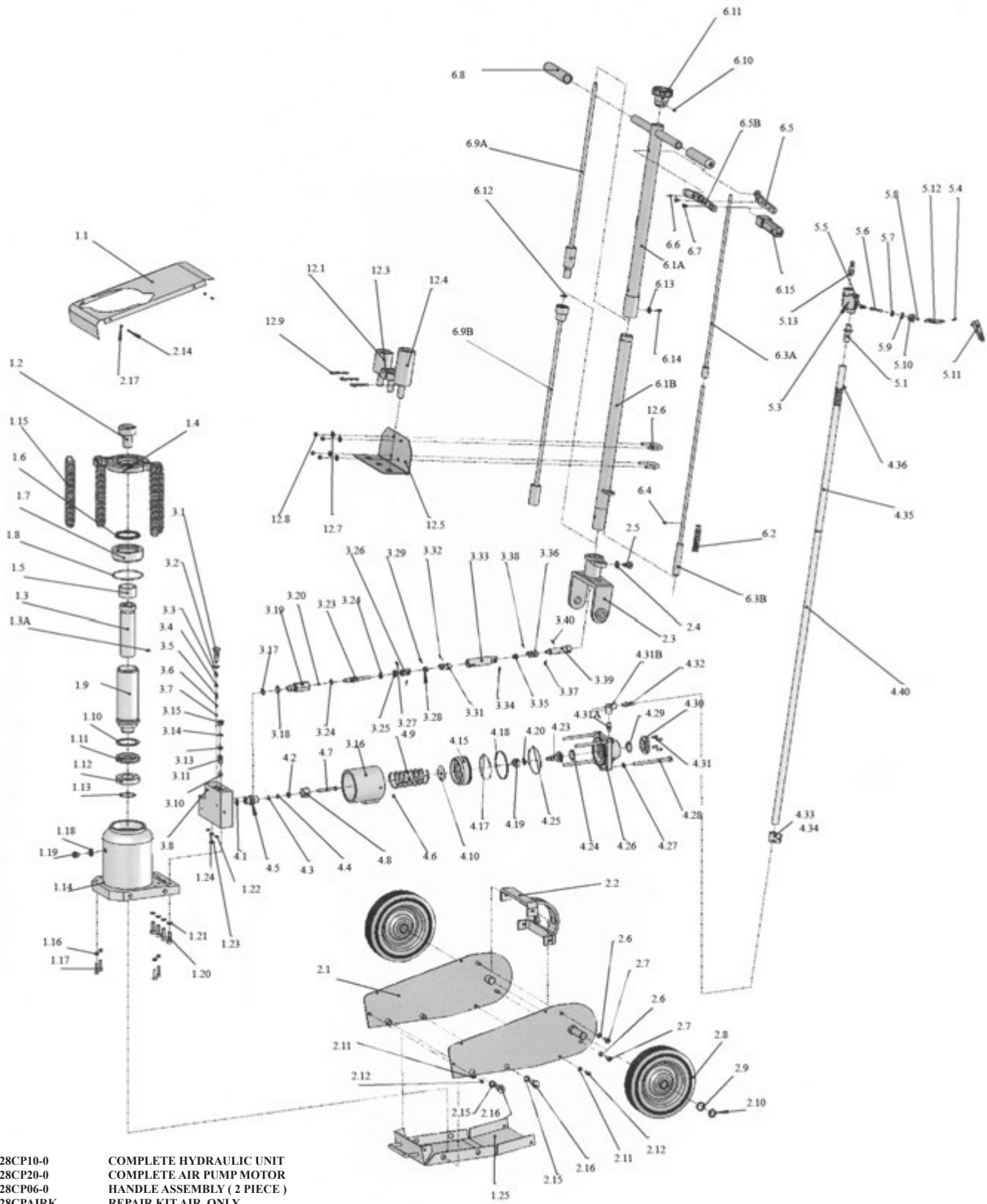


AIR/HYDRAULIC TRUCK SERVICE JACK MODEL

PROD NO. 030445
MOD NO. 728C



PFH-728CP10-0
PFH-728CP20-0
PFH-728CP06-0
PFH-728CPAIRK
PFH-728CPHYDK

COMPLETE HYDRAULIC UNIT
COMPLETE AIR PUMP MOTOR
HANDLE ASSEMBLY (2 PIECE)
REPAIR KIT AIR ONLY
REPAIR KIT HYD UNIT

AIR/HYDRAULIC TRUCK SERVICE JACK MODEL

PROD NO. 030445
MOD NO. 728C

REF	PART NUMBER	DESCRIPTION	REF	PART NUMBER	DESCRIPTION
1.1	PFH-728CP01-1	COVER	3.37	PFH-728CP3-37	SPRING PIN
1.2	PFH-728CP01-2	SADDLE	3.38	PFH-728CP3-38	SPRING PIN
1.3	PFH-728CP01-3	EXTENSION SCREW	3.39	PFH-728CP3-39	CONNECTING AXLE
1.3A	PFH-728CP1-3A	SPRING PIN	3.40	PFH-728CP3-40	SPRING PIN
1.4	PFH-728CP01-4	SPRING SUPPORT	4.1	PFH-728CP04-1	PACKING #
1.5	PFH-728CP01-5	SCREW BUSHING	4.2	PFH-728CP04-2	PLUNGER COVER
1.6	PFH-728CP01-6	Y SHAPE SEAL RING *	4.3	PFH-728CP04-3	O RING #
1.7	PFH-728CP01-7	HEAD NUT	4.4	PFH-728CP04-4	SEAL RING #
1.8	PFH-728CP01-8	O RING *	4.5	PFH-728CP04-5	PLUG BUSHING
1.9	PFH-728CP01-9	PISTON ROD	4.6	PFH-728CP04-6	O RING #
1.10	PFH-728CP1-10	STOP RING *	4.7	PFH-728CP04-7	PLUG
1.11	PFH-728CP1-11	U-SHAPE SEAL RING *	4.8	PFH-728CP04-8	CAP
1.12	PFH-728CP1-12	PISTON HEAD	4.9	PFH-728CP04-9	SPRING
1.13	PFH-728CP1-13	ELASTIC STOP RING	4.10	PFH-728CP4-10	SPRING HOLDER
1.14	PFH-728CP1-14	CYLINDER BASE	4.15	PFH-728CP4-15	PISTON
1.15	PFH-728CP1-15	SPRING	4.17	PFH-728CP4-17	O RING #
1.16	PFH-728CP1-16	NUT	4.18	PFH-728CP4-18	SEAL RING #
1.17	PFH-728CP1-17	SCREW	4.19	PFH-728CP4-19	SEAL THROTTLE #
1.18	PFH-957P06-33	SEAL RING	4.20	PFH-728CP4-20	WASHER
1.19	PFH-957P06-34	PLUG SCREW	4.23	PFH-728CP4-23	THROTTLE ROD
1.20	PFH-728CP1-20	SCREW	4.24	PFH-728CP4-24	O RING #
1.21	PFH-728CP1-21	WASHER	4.25	PFH-728CP4-25	O RING #
1.22	PFH-728CP1-22	O RING # *	4.26	PFH-728CP4-26	AIR PUMP BODY
1.23	PFH-728CP1-23	O RING # *	4.27	PFH-728CP02-6	WASHER
1.24	PFH-728CP1-24	O RING # *	4.28	PFH-728CP4-28	BOLT
1.25	PFH-728CP1-25	CHASSIS BASE	4.29	PFH-728CP4-29	O RING #
2.1	PFH-728CP02-1	SIDE PLATE	4.30	PFH-728CP4-30	BACK COVER
2.2	PFH-728CP02-2	ANGLE BRACKET	4.31	PFH-728CP4-31	SCREW
2.3	PFH-728CP02-3	HANDLE FORK	4.31A	PFH-728CP431A	SCREW TUBE
2.4	PFH-728CP02-4	WASHER	4.31B	PFH-728CP431B	ELBOW JOINT
2.5	PFH-728CP02-5	FASTENING SCREW	4.32	PFH-728CP4-32	UNION
2.6	PFH-728CP02-6	WASHER	4.33	PFH-728CP4-33	SPIRAL CLAMP RING
2.7	PFH-728CP02-7	BOLT	4.34	PFH-728CP4-34	SCREW
2.8	PFH-728CP02-8	WHEEL	4.35	PFH-728CP4-35	RUBBER HOSE
2.9	PFH-728CP02-9	WASHER	4.36	PFH-728CP4-36	SPRING
2.10	PFH-728CP2-10	TRACK RING	5.0	PFH-728CP05-0	AIR VALVE ASS
2.11	PFH-728CP2-11	WASHER		INC 5.3,5.4,5.5,5.6,5.7,5.8,5.9,5.10,5.11,5.12,5.13	
2.12	PFH-728CP2-12	SCREW	5.1	PFH-728CP05-1	UNION
2.14	PFH-728CP2-14	SCREW	5.3	PFH-728CP05-3	CASE
2.15	PFH-728CP2-15	WASHER	5.4	PFH-728CP05-4	PIN
2.16	PFH-728CP2-16	BOLT	5.5	PFH-728CP05-5	SPRING
2.17	PFH-728CP2-17	WASHER	5.6	PFH-728CP05-6	PISTON ROD
3.1	PFH-728CP03-1	SCREW	5.7	PFH-728CP05-7	SEAL RING
3.2	PFH-728CP03-2	WASHER # *	5.8	PFH-728CP05-8	O RING
3.3	PFH-728CP03-3	SPRING	5.9	PFH-728CP05-9	O RING
3.4	PFH-728CP03-4	STEEL BALL # *	5.10	PFH-728CP5-10	THROTTLE
3.5	PFH-728CP03-5	VALVE CORE	5.11	PFH-728CP5-11	HANDLE COVER
3.6	PFH-728CP03-6	SPRING	5.12	PFH-728CP5-12	LOCKING SPRING
3.7	PFH-728CP03-7	STEEL BALL # *	5.13	PFH-728CP5-13	UNION
3.8	PFH-728CP03-8	CYLINDER BASE	6.1A	PFH-728CP6-1A	OUTSIDE TUBE UPPER
3.10	PFH-728CP3-10	VALVE	6.1B	PFH-728CP6-1B	OUTSIDE TUBE LOWER
3.11	PFH-957P06-30	SPRING	6.2	PFH-728CP06-2	SPRING
3.13	PFH-728CP3-13	SCREW	6.3A	PFH-728CP6-3A	ADJUSTABLE ROD UPPER
3.14	PFH-728CP3-14	O RING # *	6.3B	PFH-728CP6-3B	ADJUSTABLE ROD LOWER
3.15	PFH-728CP3-15	SCREW	6.4	PFH-728CP6-4B	SPLIT PIN
3.16	PFH-728CP3-16	PUMP BODY AIR M	6.5	PFH-728CP06-5	LOCK LEVER
3.17	PFH-728CP3-17	WASHER # *	6.6	PFH-728CP06-6	SPRING PIN
3.18	PFH-728CP3-18	O RING # *	6.7	PFH-728CP06-7	HEXAGON HEADED SCREW
3.19	PFH-728CP3-19	RELEASE VALVE BODY	6.8	PFH-728CP06-8	HANDLE CAP
3.20	PFH-728CP3-20	STEEL BALL # *	6.9A	PFH-728CP6-9A	CONTROL ROD UPPER
3.21	PFH-728CP3-21	WASHER	6.9B	PFH-728CP6-9B	CONTROL ROD LOWER
3.23	PFH-728CP3-23	RELEASE VALVE	6.10	PFH-728CP6-10	SPRING PIN
3.24	PFH-728CP3-24	O-RING # *	6.11	PFH-728CP6-11	KNOB
3.25	PFH-728CP3-25	STOP RING	6.12	PFH-728CP6-12	RETAINING RING
3.26	PFH-728CP3-36	FORK AXLE WITH HOLE	6.13	PFH-728CP6-13	SCREW
3.27	PFH-728CP3-37	SPRING PIN	6.14	PFH-728CP06-14	BOLT
3.28	PFH-728CP3-35	CONNECTING BLOCK	6.15	PFH-728CP06-15	HANDLE CAP
3.29	PFH-728CP3-29	SPRING PIN	12.1	PFH-728CP12-1	ADAPTOR-A 20MM
3.30	PFH-728CP3-37	SPRING PIN	12-1	PFH-728CP12-1-25MM	ADAPTOR-A 25MM
3.31	PFH-728CP3-31	FORK AXLE	12.3	PFH-728CP12-3	ADAPTOR C 20MM
3.32	PFH-728CP3-32	PIN	12.3	PFH-728CP12-3-25MM	ADAPTOR C 25MM
3.33	PFH-728CP3-33	JOINT	12.4	PFH-728CP12-4	ADAPTOR D 20MM
3.34	PFH-728CP3-37	SPRING PIN	12.4	PFH-728CP12-4-25MM	ADAPTOR D 25MM
3.35	PFH-728CP3-35	CONNECTING BLOCK	12.5	PFH-728CP12-5	ADAPTOR HOLDER 20MM
3.36	PFH-728CP3-36	FORK AXLE WITH HOLE	12.5	PFH-728CP12-5-25MM	ADAPTOR HOLDER 25MM
#	PFH-728CPAIRK	REPAIR KIT AIR ONLY	12.6	PFH-728CP12-6	U BOLT
*	PFH-728CPHYDK	REPAIR KIT HYD UNIT	12.7	PFH-728CP12-7	SPRING WASHER
			12.8	PFH-728CP12-8	NUT
			12.9	PFH-728CP12-9	HITCH PIN