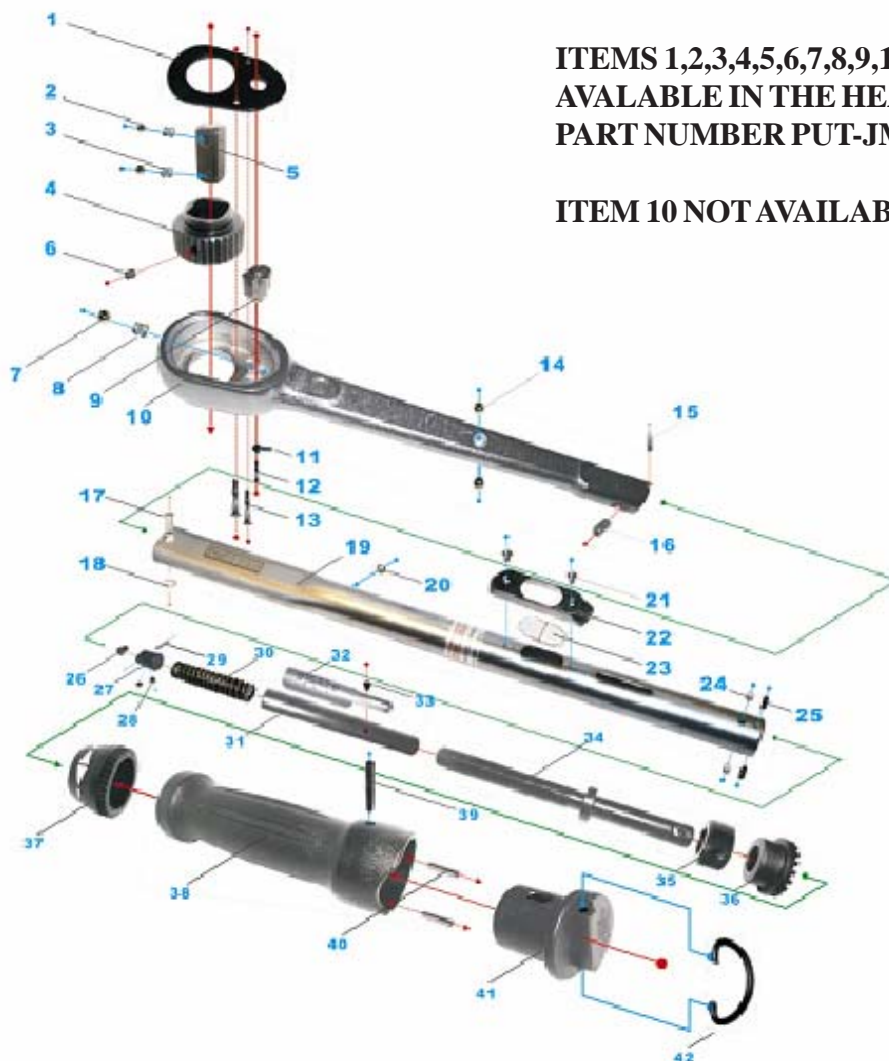


JMTW3800A MICROMETER TORQUE WRENCH PRODUCT # 718906



**ITEMS 1,2,3,4,5,6,7,8,9,11,12,13 ONLY
AVAILABLE IN THE HEAD REPAIR KIT
PART NUMBER PUT-JMTW3800**

ITEM 10 NOT AVAILABLE

REF	PART NUMBER	DESCRIPTION	REF	PART NUMBER	DESCRIPTION
14	PUT-JMTW3800A-14	BALL	28	PUT-JMTW3800A-28	BALL
15	PUT-JMTW3800A-15	DOWEL PIN	29	PUT-JMTW3800A-29	ROLLER PIN
16	PUT-JMTW3800A-16	SCREW	30	PUT-JMTW3800A-30	COMPRESSION T SPRING
17	PUT-JMTW3800A-17	NECK PIN	31	PUT-JMTW3800A-31	PRO PULSIVE POST
18	PUT-JMTW3800A-18	E RING	32	PUT-JMTW3800A-32	TORQUE SCALE PLATE
19	PUT-JMTW3800A-19	TUBE LEVER	33	PUT-JMTW3800A-33	SET SCREW
20	PUT-JMTW3800A-20	SCREW	34	PUT-JMTW3800A-34	ADJUSTABLE SCREW
21	PUT-JMTW3800A-21	SCREW	35	PUT-JMTW3800A-35	BUSHING
22	PUT-JMTW3800A-22	SHIELD OF SCALE PLATE	36	PUT-JMTW3800A-36	LOCKING SCALE WH
23	PUT-JMTW3800A-23	SCALE SHIELD	37	PUT-JMTW3800A-37	REVOLVING SCALE DIAL
24	PUT-JMTW3800A-24	DOWEL PIN OF BUSHING	38	PUT-JMTW3800A-38	PLASTIC HANDLE
25	PUT-JMTW3800A-25	SET SCREW	39	PUT-JMTW3800A-39	DOWEL PIN
26	PUT-JMTW3800A-26	ROLLER	40	PUT-JMTW3800A-40	NEEDLE PIN
27	PUT-JMTW3800A-27	ROLLER BRKT	41	PUT-JMTW3800A-41	REVOLVING BUTTON
			42	PUT-JMTW3800A-42	HANGING RING