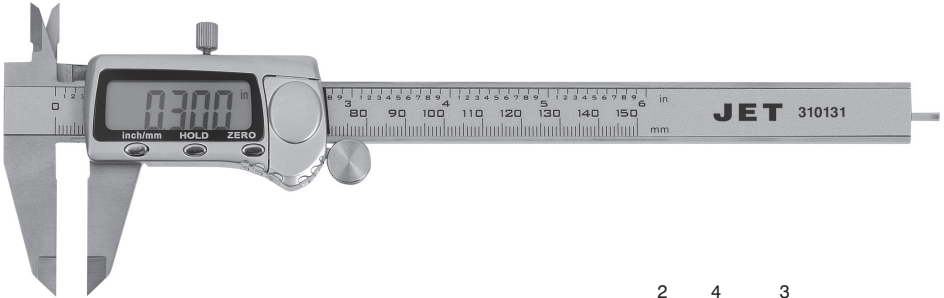


Operation MANUAL

Electronic Digital Calipers

Prod. No. 310131 • Mod. No. JEDC-6
 Prod. No. 310132 • Mod. No. JEDC-8

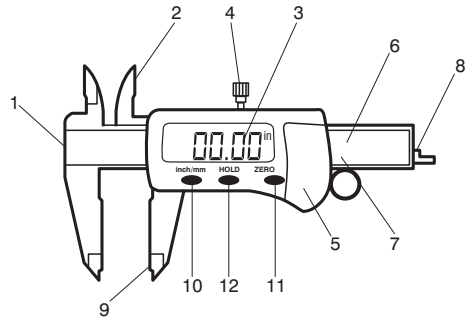
Prod. No. 310133 • Mod. No. JEDC-6F
 Prod. No. 310136 • Mod. No. JEDC-12



Thank you for purchasing a quality JET electronic digital caliper. Used and cared for correctly, it will give you many years of trouble-free service.

Specifications

- Resolution: 0.0005" / 0.01 mm
- Range: 0 - 6" / 150 mm (310131)
 0 - 8" / 200 mm (310132)
 0 - 6" / 150 mm fractional/metric (310133)
 0 - 12" / 300 mm (310136)
- Power: One 1.5V button cell (SR44, G13A, or equivalent)
- Measuring speed: < 1.5 m/s

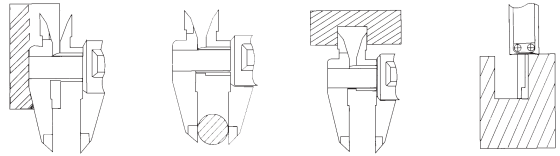


Components

- | | |
|-----------------------------|-----------------------------|
| 1. Step measuring face | 7. Scale face |
| 2. Internal measuring faces | 8. Depth measuring blade |
| 3. LCD display screen | 9. External measuring faces |
| 4. Locking screw | 10. Inch/mm selector |
| 5. Battery cover | 11. Zero setting |
| 6. Slider | |

Functions

1. Zero setting at any position – allows quick and easy relative measurements.
2. Inch/metric selector – instantly make conversions.
3. Hold - freezes display when button is pressed. Useful for holding measurement when display cannot be seen. When active displays H.
4. Caliper will shut off automatically after a few minutes.



Operation

1. Clean all measuring surfaces and scale face.
2. Loosen locking screw and move slider to check that LCD and all function buttons are operating.
3. Select desired units of measure (in/mm).
4. Close slider until outside measuring faces make contact, then press zero button.
5. Measure according to diagrams above.

Specific instructions for product number 310133

- Product 310133 features 3 measuring modes – fractional inches (1/128"), decimal inches to 4 places, and metric measurements to .01mm.
- This model does not have HOLD function.
- This model does NOT have Auto-off function. Turn off calipers with ON/OFF switch to avoid battery drain.
- Working temperature: 0 – +40°C
- Storage temperature: -10 – +70°C

Maintenance

Keep your caliper clean. Use a non-corrosive, non-abrasive cleaner. A light film of machine oil on the sliding parts will ensure smooth functioning.

Never apply voltage or use an electric engraver on the caliper. The electronics may be damaged and will not be covered under warranty.

Abnormal display such as flashing digits, no digits etc., indicates a weak or spent battery. To replace battery, simply slide battery cover in direction of arrow and replace. Use model SR44 or equivalent. Positive side of battery must face up.

Please note your caliper was shipped with 2 batteries. We recognize the batteries in the unit may not be fresh by the time it reaches the consumer. If the batteries in your unit are spent, replace them with the spares. A spent battery is not a warranty item.

Troubleshooting

Trouble	Possible Causes	Solutions
Flashing digits	Low voltage	Replace battery
No display	1. Low voltage 2. Poor contact	1. Replace battery 2. Clean and adjust battery seat