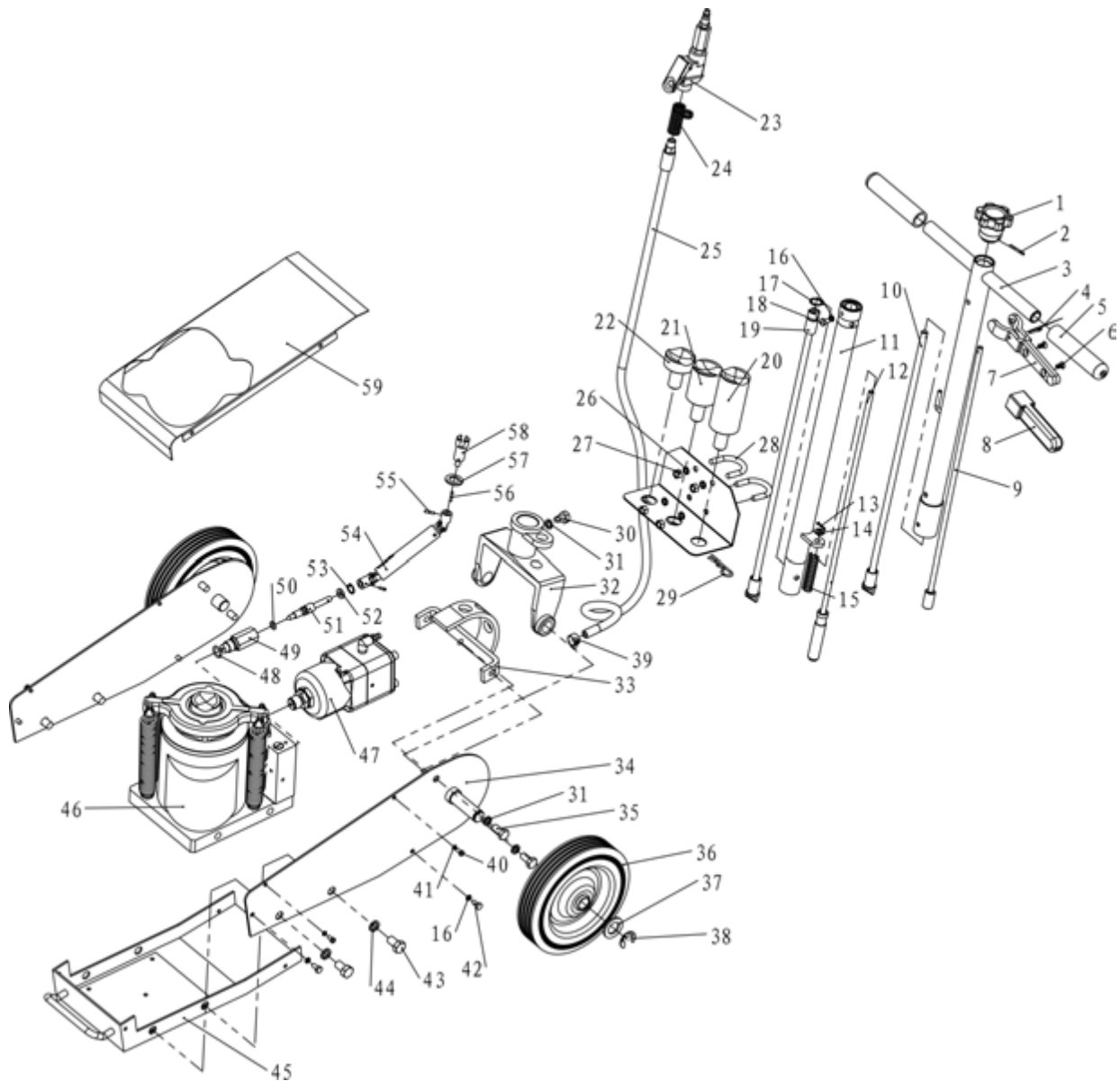


727 - 22 Ton Air / Hydraulic Truck Axle Jack

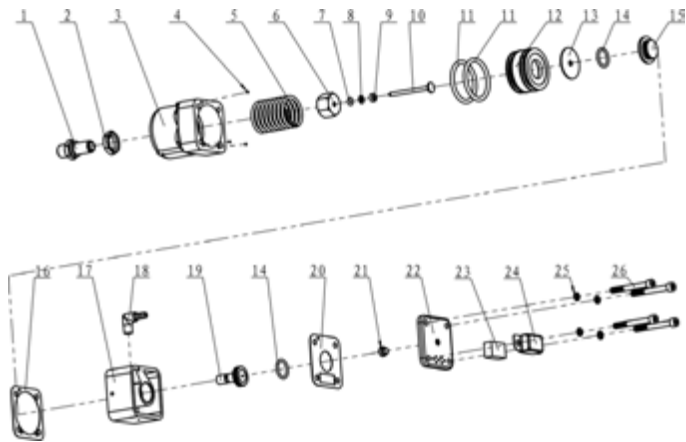
PROD. NO.: 030470
MOD. NO.: 727



727 - 22 Ton Air / Hydraulic Truck Axle Jack

PROD. NO.: 030470
MOD. NO.: 727

REF	PART NUMBER	DESCRIPTION	REQ	REF	PART NUMBER	DESCRIPTION	REQ	REF	PART NUMBER	DESCRIPTION	REQ
1	PFH-727CP01	KNOB	1	21	PFH-727CP21	ADAPTOR C	1	41	PFH-727CP41	SPRING WASHER 5	4
2	PFH-727CP02	SPRING PIN	1	22	PFH-727CP22	ADAPTOR B	1	42	PFH-727CP42	BOLT M6X12	4
3	PFH-727CP03	HANDLE UPPER	1	23	PFH-727CP23	AIR VALVE ASS	1	43	PFH-727CP43	BOLT M12X20	4
4	PFH-727CP04	SPRING PIN	1	24	PFH-727CP24	SPRING	1	44	PFH-727CP44	SPRING WASHER 12	4
5	PFH-727CP05	HANDLE CAP	2	25	PFH-727CP25	AIR HOSE	1	45	PFH-727CP45	LOWER COVER	1
6	PFH-727CP06	SCREW	2	26	PFH-727CP26	SPRING WASHER 8	4	46	PFH-727CP46	POWER UNIT	1
7	PFH-727CP07	LOCK LEVER	1	27	PFH-727CP27	NUT M8	4	47	PFH-727CP47	AIR PUMPER ASS	1
8	PFH-727CP08	HANDLE CAP	1	28	PFH-727CP28	U-BOLT	2	48	PFH-727CP48	O-RING	1
9	PFH-727CP09	STOPPER UPPER	1	29	PFH-727CP29	R-PIN	3	49	PFH-727CP49	GUIDE	1
10	PFH-727CP10	ROD UPPER	1	30	PFH-727CP30	BOLT	1	50	PFH-727CP50	O-RING	1
11	PFH-727CP11	HANDLE LOWER	1	31	PFH-727CP31	SPRING WASHER 10	5	51	PFH-727CP51	VALVE	1
12	PFH-727CP12	STOPPER LOWER	1	32	PFH-727CP32	HANDLE FORK	1	52	PFH-727CP52	WASHER	1
13	PFH-727CP13	SPLIT PIN	1	33	PFH-727CP33	HANDLE FORK BRK	1	53	PFH-727CP53	RETANING RING	1
14	PFH-727CP14	WASHER	1	34	PFH-727CP34	FRAME	2	54	PFH-727CP54	CONNECTING ASS	1
15	PFH-727CP15	SPRING	1	35	PFH-727CP35	BOLT M10X20	4	55	PFH-727CP55	SPRING PIN	2
16	PFH-727CP16	SPRING WASHER 6	5	36	PFH-727CP36	WHEEL	2	56	PFH-727CP56	SPLIT PIN	1
17	PFH-727CP17	RETANING RING 18	1	37	PFH-727CP37	WASHER	2	57	PFH-727CP57	WASHER	1
18	PFH-727CP18	BOLT M6X10	1	38	PFH-727CP38	SNAP RING	2	58	PFH-727CP58	CONNECTING ROD	1
19	PFH-727CP19	ROD LOWER	1	39	PFH-727CP39	HOSE BAND	1	59	PFH-727CP59	UPPER COVER	1
20	PFH-727CP20	ADAPTOR D	1	40	PFH-727CP40	SCREW	4				

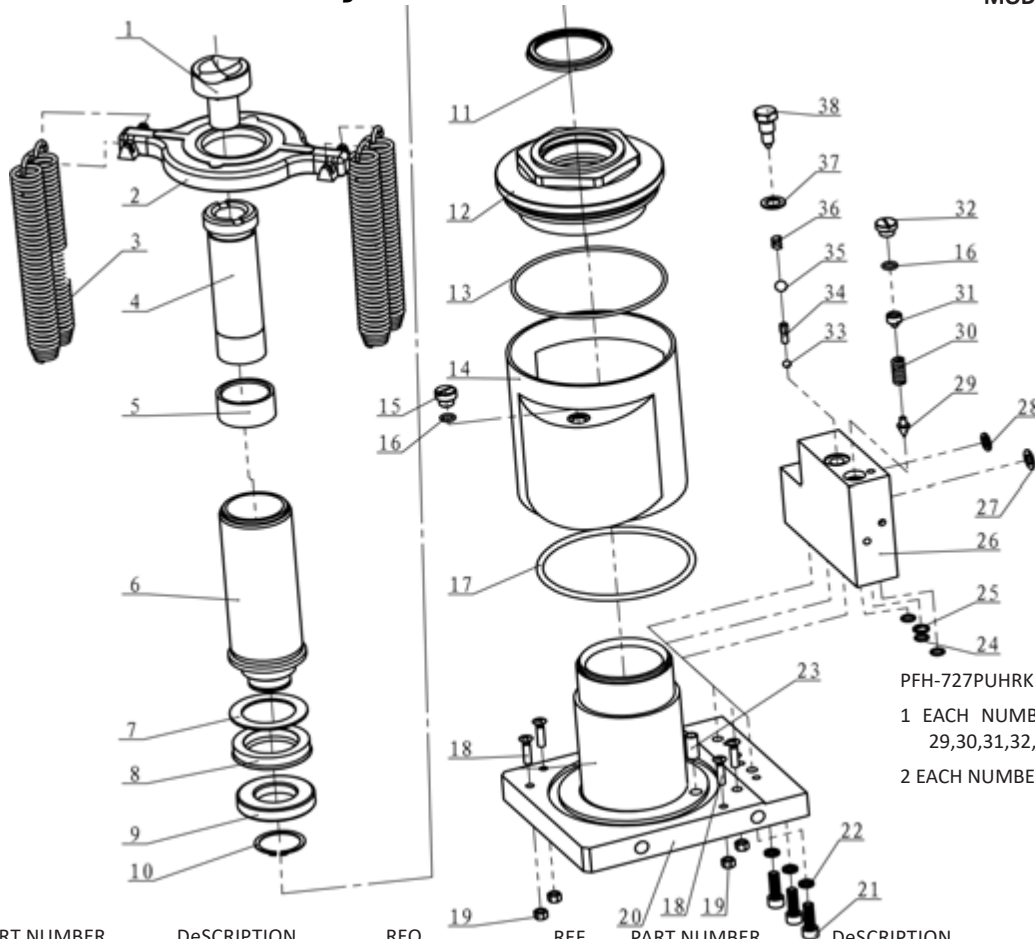


REF	PART NUMBER	DESCRIPTION	REQ	REF	PART NUMBER	DESCRIPTION	REQ
1	PFH-727AM01	PLUNGER COVER	1	14	PFH-727AM14	O-RING	2
2	PFH-727AM02	NUT	1	15	PFH-727AM15	RETAINER	1
3	PFH-727AM03	AIR PUMP BODY	1	16	PFH-727AM16	PACKING WASHER	1
4	PFH-727AM04	BALL	3	17	PFH-727AM17	MUFFLER COVER	1
5	PFH-727AM05	SPRING	1	18	PFH-727AM18	PIPE JOINT	1
6	PFH-727AM06	NUT	1	19	PFH-727AM19	VALVE ROD	1
7	PFH-727AM07	O-RING	1	20	PFH-727AM20	PACKING WASHER	1
8	PFH-727AM08	NL RETAINER	1	21	PFH-727AM21	RUBBER PAD	1
9	PFH-727AM09	PACKING GUIDE	1	22	PFH-727AM22	COVER	1
10	PFH-727AM10	PLUNGER	1	23	PFH-727AM23	FILTER ELEMENT	1
11	PFH-727AM11	O-RING	2	24	PFH-727AM24	FILTER COVER	1
12	PFH-727AM12	PISTON	1	25	PFH-727AM25	SPRING WASHER	4
13	PFH-727AM13	WASHER	1	26	PFH-727AM26	HEX-SOCKET SCREW	4

PFH-727AMRPK AIR MOTOR KIT
1 EACH NUMBER 7,8,9,13,15,16,20,21,23
2 EACH NUMBER 11 and 14

727 - 22 Ton Air / Hydraulic Truck Axle Jack

PROD. NO.: 030470
MOD. NO.: 727



PFH-727PUHRK HYD REPAIR KIT

1 EACH NUMBER 7,8,10,11,13,15,17,25,27 28,
29,30,31,32,33,34,35,36,37,38

2 EACH NUMBER 16, 3 EACH NUMBER 24

REF	PART NUMBER	DeSCRIPTION	REQ	REF	PART NUMBER	DeSCRIPTION	REQ
1	PFH-727PU01	ADAPTOR	1	20	PFH-727PU20	CYLINDER	1
2	PFH-727PU02	SPRING HANGER	1	21	PFH-727PU21	SCREW	3
3	PFH-727PU03	SPRING	4	22	PFH-727PU22	SPRING WASHER	3
4	PFH-727PU04	SCREW ROD	1	23	PFH-727PU23	OIL STRAINER	1
5	PFH-727PU05	BUSH	1	24	PFH-727PU24	O-RING	3
6	PFH-727PU06	PISTON ROD	1	25	PFH-727PU25	BACK-UP RING	1
7	PFH-727PU07	BACK-RING	1	26	PFH-727PU26	OIL BOX	1
8	PFH-727PU08	U-SEAL	1	27	PFH-727PU27	WASHER	1
9	PFH-727PU09	PISTON	1	28	PFH-727PU28	WASHER	1
10	PFH-727PU10	SNAP RING	1	29	PFH-727PU29	SAFETY VALVE	1
11	PFH-727PU11	DUST SEAL	1	30	PFH-727PU30	SPRING	1
12	PFH-727PU12	TANK NUT	1	31	PFH-727PU31	SCREW	1
13	PFH-727PU13	O-RING	1	32	PFH-727PU32	SCREW	1
14	PFH-727PU14	OIL TANK	1	33	PFH-727PU33	STEEL BALL	1
15	PFH-727PU15	BREATHING-SCREW	1	34	PFH-727PU34	SEPARATOR	1
16	PFH-727PU16	PACKING	2	35	PFH-727PU35	STEEL BALL	1
17	PFH-727PU17	O-RING	1	36	PFH-727PU36	SPRING	1
18	PFH-727PU18	SCREW	4	37	PFH-727PU37	COPPER PACKING	1
19	PFH-727PU19	NUT	4	38	PFH-727PU38	BOLT	1