

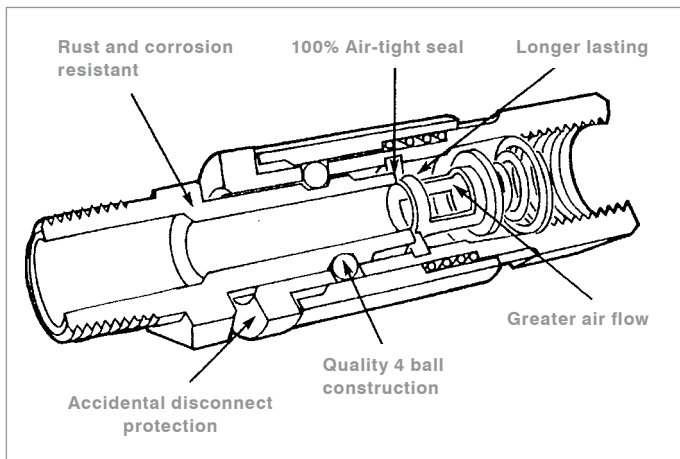
## AIR TOOL FITTINGS

### 420051 - 421651

JET COUPLER AND PLUG FEATURES,  
APPLICATIONS AND SPECIFICATIONS;

#### Common Features

- Couplers have deep knurled socket sleeves and a "4-Ball-Positive-Locking" mechanism.
- Couplers and plugs made from "Zinc-Plated" steel to prevent rust from a moisture rich environment.
- 1/4" Body x 1/4" NPT thread except where specified.



#### Applications

- General air service
- Pneumatic tools

#### Specifications

- Maximum Working Pressure - 150PSI
- Air Flow – 35 SCFM at 100 PSIG inlet with 10 PSIG pressure drop
- Operating Temperature Range: -40°F to 225°F (-20°C to 107°C)

#### How to Identify Plug Designs

Our Standard Sleeve Type Couplers and Plugs are manufactured to ensure interchangeability with other makes of couplers and plugs. The "type" of plug and coupler determines if it is interchangeable with other makes, different "types" can't be interchanged, as they fit improperly, or will not fit, and are therefore unsafe for use.

#### "I/M" Industrial / Automotive Type Plug



- This type of plug has been adopted by all major manufacturers.
- To identify this plug, look for the 3/16" tip
- "V" shape, flat bottom ball groove.
- Complies with ANSI T3.20.14 dimensions.



#### "T" Automotive Type Plug



- This type of plug has the shortest tip compared to the other types of plugs.
- It has the widest section between the ball groove and the tip.
- This design has a thick sealing surface around the tip, which provides better sealing and longer seal life.



#### "A" Type Plug



- To identify this plug, look for the 5/16" tip.
- "Round" shape bottom ball groove.



#### "L" Type Plug



- This is the most easily identified plug due to its long 3/4" tip.
- Because of this tip length it can only be used with a matching "L" style coupler.
- "Round" shape bottom ball groove.



## “U” Universal Style Coupler

- The 1/4" Universal coupler will accept:
  - 1/4" “I/M” Industrial**
  - 1/4" “T” Automotive**
  - 1/4" “A” Type NPT style plugs**
- Automatic push-to-connect operation
- Sleeve guard protects against accidental disconnection when coupler is dragged on the floor or over obstructions
- Deep knurled socket sleeve
- Uses a “4-Ball-Positive-Locking” mechanism
- Made from “Zinc-Plated” steel to prevent rust from a moisture rich environment.

## 1/4" Body X 1/4" NPT Thread

PROD. NO.	MOD. NO.	Description	Kit Includes	Material	Packaging	Pieces
<b>421251</b>	UCF1414	Coupler	Female NPT	Steel	Blister/Card	1
<b>421252</b>	UCM1414	Coupler	Male NPT	Steel	Blister/Card	1



U TYPE  
COUPLER - FEMALE



U TYPE  
COUPLER - MALE

## 3-Way Connectors

### FEATURES

- Supply three air tools from a single air inlet
- Not necessary to connect and disconnect for every tool change
- Made from high strength aluminum
- Maximum Inlet Pressure – 150PSI

### APPLICATION

- General air service
- Pneumatic tools



PROD. NO.	MOD. NO.	Kit Includes	Material	Packaging	Pieces
<b>421501</b>	3WMC14	One 1/4" FNPT Inlet x Three 1/4" FNPT Outlets	Aluminum	Blister/Card	1
<b>421601</b>	3WMC38	One 3/8" FNPT Inlet x Three 1/4" FNPT Outlets	Aluminum	Blister/Card	1

## 360° Swivel Connectors

### FEATURES

- Connect portable air tools to air hose
- 360° swivels in two places to prevent hose kinking & twisting
- Made from high strength aluminum & steel
- Maximum Inlet Pressure – 150PSI
- Caution – Not For Use With Percussion Tools

### APPLICATION

- General air service
- Pneumatic tools



PROD. NO.	MOD. NO.	Kit Includes	Material	Packaging	Pieces
<b>421551</b>	SC1414	1/4" FNPT X 1/4" MNPT	Aluminum & Steel	Blister/Card	1
<b>421651</b>	SC3838	3/8" FNPT X 3/8" MNPT	Aluminum & Steel	Blister/Card	1

## BRANCHES:

**Vancouver**  
49 Schooner Street  
Coquitlam, BC V3K 0B3  
**Tel:** (604) 523-8665  
**Toll Free:** 1-800-472-7685  
**Fax:** (604) 526-5381  
**Toll Free:** 1-800-663-7742

**Edmonton**  
9720 – 12th Avenue SW  
Edmonton, AB T6X 0J5  
**Toll Free:**  
**Tel:** 1-800-472-7685  
**Fax:** 1-800-663-7742

**Winnipeg**  
951 Powell Avenue  
Winnipeg, MB R3H 0H4  
**Tel:** (204) 632-6970  
**Toll Free:** 1-800-665-7524  
**Fax:** (204) 694-9534  
**Toll Free:** 1-877-694-9534

**Toronto**  
979 Gana Court  
Mississauga, ON L5S 1N9  
**Tel:** (905) 565-8661  
**Toll Free:** 1-800-387-3879  
**Fax:** (905) 565-7266  
**Toll Free:** 1-800-267-3310

**Montréal**  
4620, rue Garand  
St. Laurent, QC H4R 2A2  
**Sans frais :**  
**Tél :** 1-800-363-2885  
**Télec :** 1-800-267-3310

**Halifax**  
110 - 11 Morris Drive  
Dartmouth, NS B3B 1M2  
**Tel:** (902) 468-8324  
**Toll Free:** 1-800-472-7686  
**Fax:** (902) 468-3461  
**Toll Free:** 1-877-468-3461

®Registered trademark of JET Equipment & Tools Ltd. JET Equipment & Tools Ltd. is not responsible for typography and pricing errors. JET Equipment & Tools Ltd. reserves the right to cancel orders arising from any such errors. Prices are subject to corrections or changes without notice. We reserve the right to limit quantities. Taxes extra. JET products are only available in Canada.

