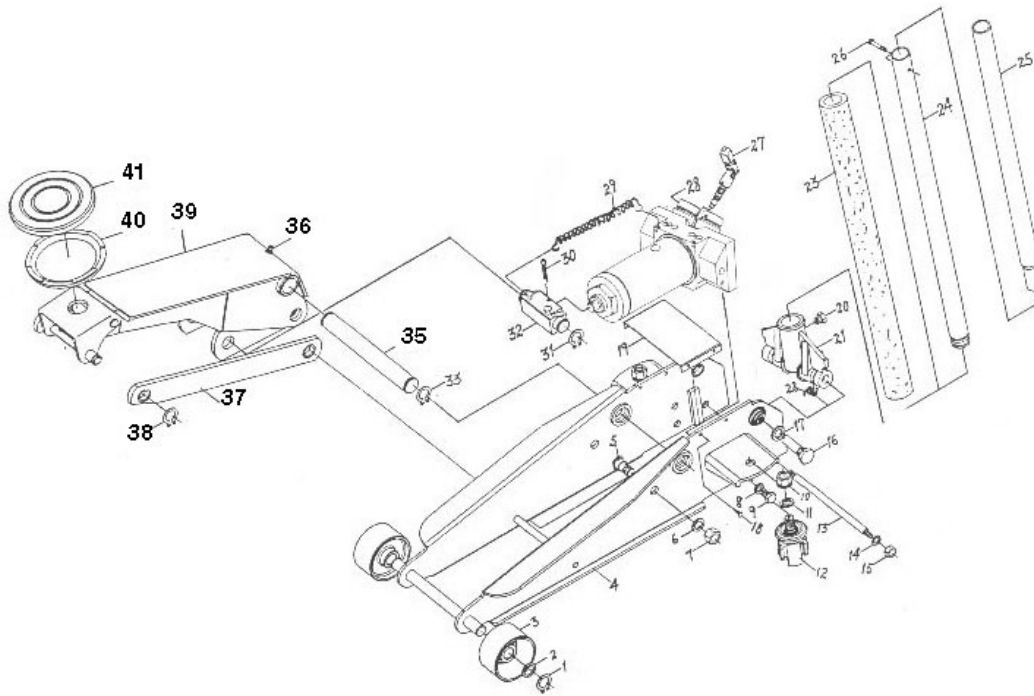


## 966HO 3.5 TON DOUBLE PUMPER

### Parts List

PROD NO. 030407  
MOD NO. 966HO

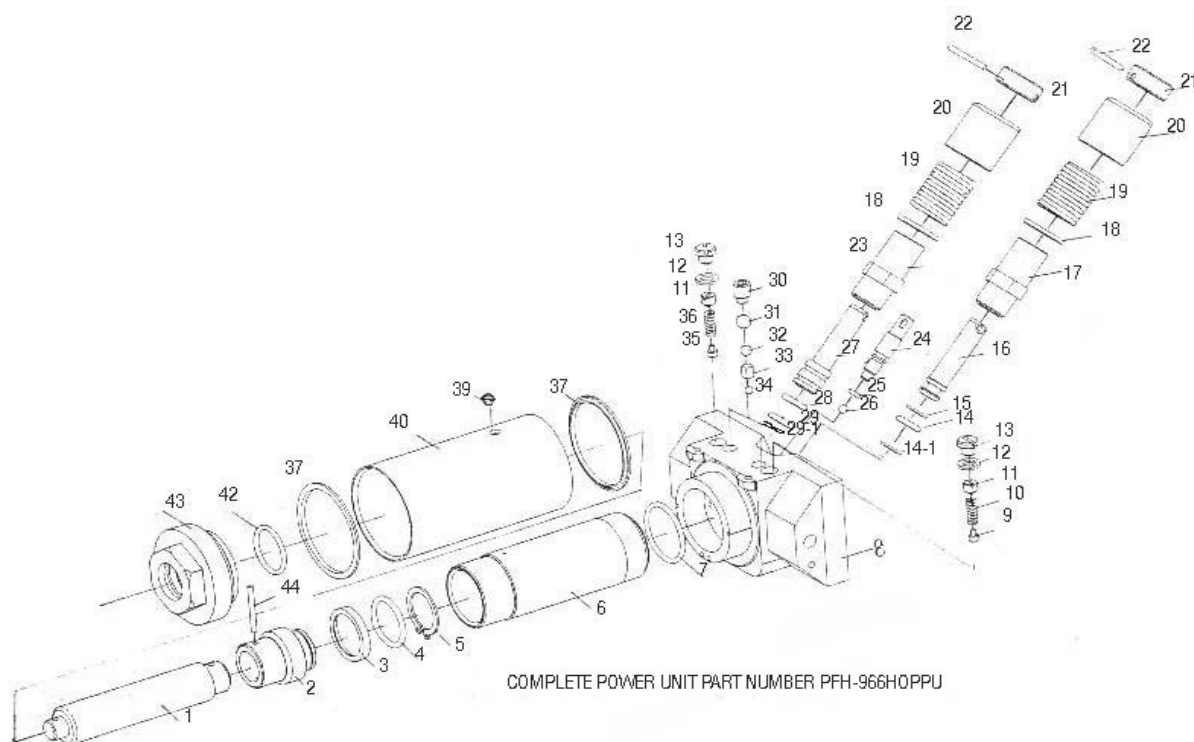


REF	PART NUMBER	DESCRIPTION	REQ	REF	PART NUMBER	DESCRIPTION	REQ	REF	PART NUMBER	DESCRIPTION	REQ
1	PFH-965GTP01	RETAINING RING	2	15	PFH-965GTP15	HEX NUT M12	2	29	PFH-965GTP29	SPRING	2
2	PFH-965GTP02	WASHER	2	16	PFH-966HOP16	BOLT	2	30	PFH-965GTP30	SPLIT PIN4X25	1
3	PFH-965GTP03	WHEEL	2	17	PFH-966HOP17	SPRING WASHER	18	31	PFH-965GTP31	RETAINING RING25	2
4	PFH-966GTP04	SIDE PLATE ASSY	1	18	PFH-965GTP18	SCREW	4	32	PFH-965GTP32	BLOCK LINKAGE	2
5	PFH-965GTP05	BOLT	2	19	PFH-965GTP19	INSPECTION PLATE	1	33	PFH-965GTP33	HEX NUT24	1
6	PFH-965GTP06	WASHER 16	2	20	PFH-965GTP20	BOLT	1	34	PFH-965GTP34	WASHER24	1
7	PFH-965GTP07	HEX NUT M16	2	21	PFH-966HOP21	HANDLE SOCKET	1	35	PFH-965GTP35	SHAFT ARM	2
8	PFH-965GTP08	SPRING WASHER	2	22	PFH-966HOP22	TORSION SPRING	2	36	PFH-965GTP36	GREASE FITTING	2
9	PFH-965GTP09	HEX BOLT M12X20	2	23	PFH-965GTP23	HANDLE BUMPER	1	37	PFH-965GTP37	LONG LINKAGE	1
10	PFH-965GTP10	NUT M18	2	24	PFH-965GTP24	HANDLE	1	38	PFH-965GTP38	RETAINING RING 18	1
11	PFH-965GTP11	SPRING WASHER18	2	25	PFH-965GTP25	HANDLE UPPER	1	39	PFH-965GTP39	LIFT ARM ASSY	1
12	PFH-965GTP12	CASTER ASSY	2	26	PFH-965GTP26	HANDLE HEX BOLT	1	40	PFH-965GTP40	SADDLE	1
13	PFH-965GTP13	PULL ROD	1	27	PFH-965GTP27	RELEASE ASSY	2	41	PFH-965GTP41	SADDLE PAD SQUARE	
14	PFH-965GTP14	WASHER 12	2	28	PFH-966HOPPU	POWER UNIT ASSY	1	41	PFH-965GTP41R	SADDLE PAD ROUND	
								41	PFH-965GTP41S	SADDLE PAD - SQUARE	

## 966HO 3.5 TON DOUBLE PUMPER

### Parts List

PROD NO. 030407  
MOD NO. 966HO



REF	PART NUMBER	DESCRIPTION	REQ	REF	PART NUMBER	DESCRIPTION	REQ	REF	PART NUMBER	DESCRIPTION	REQ
1	PFH-965GTPH31	RAM	1	15	PFH-966HOPH15	SEALING WASHER	1	29-1	PFH-966HOPH29-1	SEAL RING	1
2	PFH-965GTPH30	RAM HEADER	1	16	PFH-965GTPH04	PUMP CORE	1	30	PFH-966HOPH30	HIGH PRESSURE BOLT	2
3	PFH-965GTPH28	O-RING RETURNER	1	17	PFH-965GTPH05	PUMP CASE	1	31	PFH-966HOPH31	BALL 10	2
4	PFH-965GTPH27	O-RING	1	18	PFH-965GTPH07	PUMP INNER CASE	2	32	PFH-966HOPH32	BALL 8	2
5	PFH-965GTPH26	RETAINING RING	1	19	PFH-965GTPH08	PRESS SPRING	2	33	PFH-966HOPH33	SEPARATOR	2
6	PFH-965GTPH25	CYLINDER	1	20	PFH-965GTPH09	PUMP OUTER CASE	2	34	PFH-966HOPH34	BALL 5.5	2
7	PFH-965GTPH24	O-RING	1	21	PFH-965GTPH11	PUMP COVER	2	35	PFH-966HOPH35	SAFETY VALVE	1
8	PFH-966HOPH08	VALVE BASE	1	22	PFH-965GTPH10	PIN 4X30	2	36	PFH-966HOPH36	RELIEF VALVE SPRING	1
9	PFH-965GTPH22	SAFETY VALVE	1	23	PFH-966HOPH23	PUMP CASE	1	37	PFH-965GTPH32	O-RING	2
10	PFH-965GTPH21	RELIEF VALVE SPRING	1	24	PFH-965GTP27	RELEASE ASSY	1	39	PFH-965GTPH33	OIL FILL PLUG/ORING	1
11	PFH-965GTPH20	REGULATE BOLT	2	25	PFH-965GTPH13	O-RING	1	40	PFH-965GTPH34	CYLINDER OUTER CASE	1
12	PFH-965GTPH19	SEAL WASHER	2	26	PFH-965GTPH14	BALL 6	1	42	PFH-965GTPH35	O-RING	1