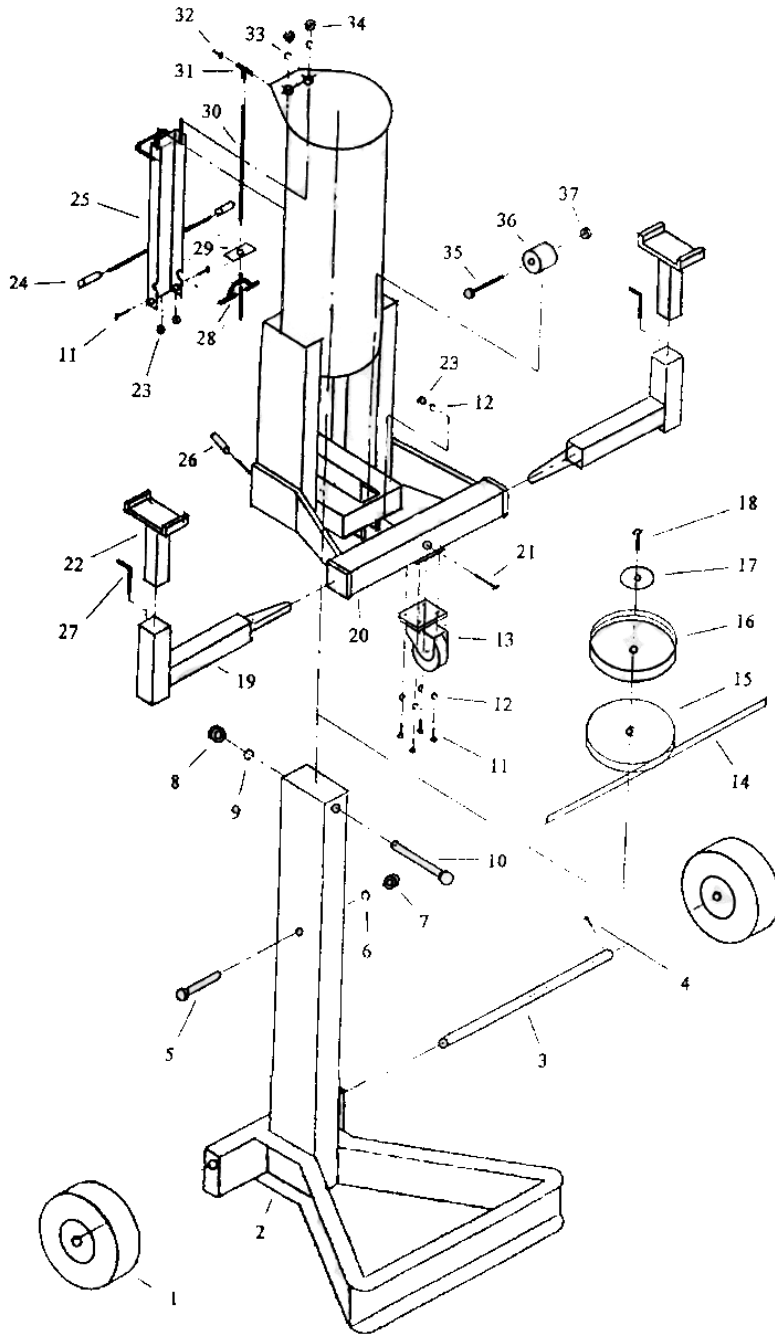


Product Number 030457 Model Number 528 10 TON END LIFT



PCN-528PRK
INCLUDES 14,16

REF	PART NUMBER	DESCRIPTION	REQ.
01	PCN-528P01	BIG WHEEL	2
02	PCN-528P02	BASE	1
03	PCN-528P03	MAJOR AXIS	1
04	PCN-528P04	SPLIT PIN 5X30	2
05	PCN-528P05	BOLT M27X130	1
06	PCN-528P06	SPRING WASHER 27	1
07	PCN-528P07	NUT M27	1
08	PCN-528P08	NUT M16	1
09	PCN-528P09	SPRING WASHER	1
10	PCN-528P10	BOLT M16X220	1
11	PCN-528P11	BOLT M8X16	6
12	PCN-528P12	SPRING WASHER 8	1
13	PCN-528P13	SMALL WHEEL	1
14	PCN-528P14	GUIDING RING	1
15	PCN-528P15	PISTON	1
16	PCN-528P16	SEAL RING	1
17	PCN-528P17	WASHER	1
18	PCN-528P18	BOLT M12X25	1
19	PCN-528P19	ADAPTABLE ARM	2
20	PCN-528P20	FRAME	1
21	PCN-528P21	BOLT M8X100	1
22	PCN-528P22	SADDLE	2
23	PCN-528P23	NUT M8	3
24	PCN-528P24	HANDLE SHELL	2
25	PCN-528P25	COVER	1
26	PCN-528P26	HANDLE SHELL	1
27	PCN-528P27	BENT PIN	2
28	PCN-528P28	INVENTING VALVE	1
29	PCN-528P29	FIXED BLOCK	1
30	PCN-528P30	CONNECTING PIPE	1
31	PCN-528P31	JOINT	1
32	PCN-528P32	BLOCKING HEAD	1
33	PCN-528P33	SPRING WASHER 10	2
34	PCN-528P34	NUT M10	2
35	PCN-528P35	BOLT M24X120	1
36	PCN-528P36	ROLLS	1
37	PCN-528P37	NUT M24	1