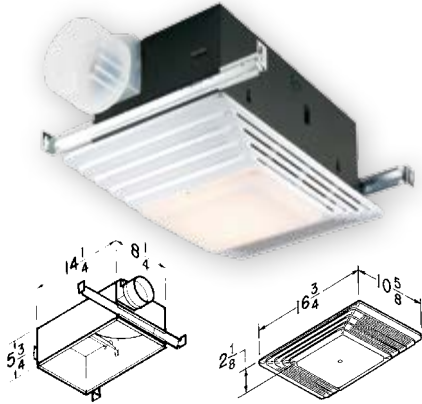
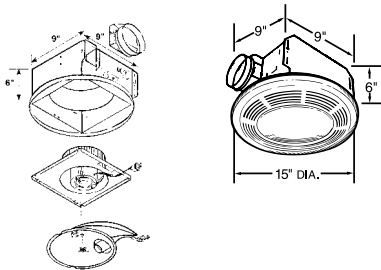


Model 657 & 696



Model 750 & 751

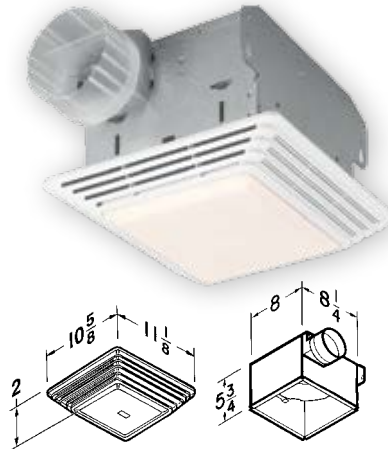


- Round design eliminates squaring with bathroom walls
- Model 751 is the same as Model 750 without a night light

Model	CFM	Sones	Light/ Night Light	Ducting
657	70	4.0	100 W	4"
696	100	4.5	100 W	4"
750	100	3.5	100 W/7 W	4"
751	100	3.5	100 W	4"



Model 678, 679, 680



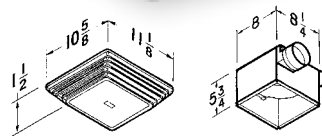
Model CFM Sones Lighting Ducting

678	50	2.5	100 W	4"
679	70	3.5	100 W	4"
680	100	4.0	100 W	4"



Ceiling/Wall Mount

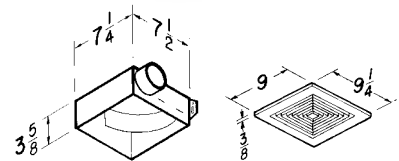
Model 676 & 684



- 50 to 110 CFM
- Centrifugal blower wheel and 4-pole motor deliver high exhaust capacity at low sound levels
- White polymeric grille complements virtually any decor
- Torsion spring grille mounting —no tools necessary
- Metal grille kits (available separately)
- Project Packs available

Model	CFM	Sones	Ducting
676	110	4.0	4"
684	80	2.5	4"

Model 670, 671, 688, 689



- 50 to 70 CFM
- Powerful centrifugal blower wheel
- Compact housing fits between ceiling joists or wall studs
- Double-strength steel mounting flanges with keyhole slots for fast installation
- Metal grille kits (available separately)
- *Project Packs available for most models

Model CFM Sones Ducting Mounts

670	50	3.5	3"	Wall/Ceiling
671	70	6.0	3"	Wall/Ceiling
688	50	4.0	3"	Wall/Ceiling
689	60	5.5	3"	Wall/Ceiling

Project Packs are convenient options for today's contractor. Broan "H" Packs include rough-in housings only, making multi-unit installation more convenient. "F" Packs allow motor/blower and grille assemblies to be ordered separately, nearer project completion, to help avoid losing or having to store components.

