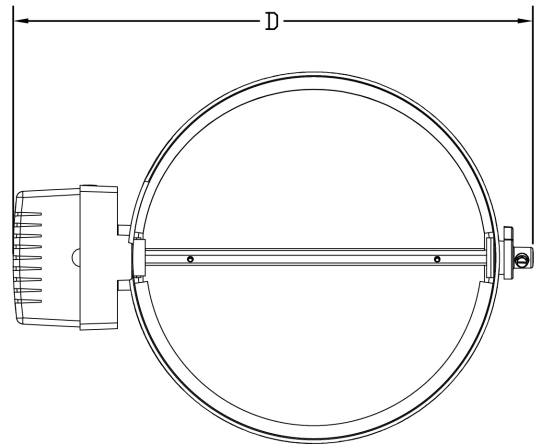
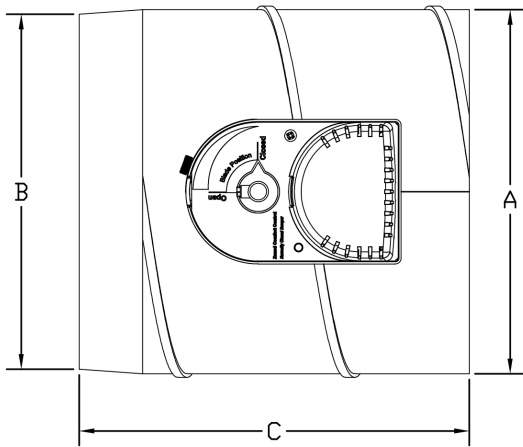


Project: _____
 Architect: _____
 Contractor: _____
 Suppliers: _____

Dealer: _____
 Engineer: _____
 Location: _____
 Date: _____



Part #	Size	A	B	C	D	Shipping Weight
6506	6"	6.03" (153 mm)	5.77" (147 mm)	10.75" (273 mm)	10.38" (264 mm)	5 lbs
6508	8"	8.03" (204 mm)	7.77" (197 mm)	10.75" (273 mm)	12.38" (314 mm)	6 lbs
6510	10"	10.03" (255 mm)	9.77" (248 mm)	10.75" (273 mm)	14.38" (365 mm)	8 lbs
6512	12"	12.03" (306 mm)	11.77" (299 mm)	12.75" (324 mm)	16.38" (416 mm)	10 lbs

NOTES:

Applications: Compatible with Aprilaire® Ventilation and Dehumidification systems. Dampers are designed to work in low pressure systems (less than 1.0" w.c.).

Electrical Ratings: Two wire; power open/spring close; 24 VAC 6W, 60Hz, 10VA. Synchronous type motor, impedance protected for continuous stall capability without electrical or mechanical damage. Damper comes with motor mounted.

The submittal is intended to show general, overall product dimensions and provide guidance for installation clearance. Drawings are not to scale. Ensure submittals are current. Research Products reserves the rights to make product change without notifications or obligations.