

User's Manual and Operating Instructions

Model Numbers:

MAC-36-BDF, MAC-42-BDF, MAC-48-BDF
PT-36-BDF, PT-42-BDF, PT-48-BDF

CONSUMER: READ AND SAVE THESE INSTRUCTIONS

IMPORTANT: Read and understand all of the instructions in this manual before assembling, starting, or servicing the fan. Improper use of this fan can cause serious injury. Keep this manual for future reference.

For General Ventilating Use Only. Do Not Use To Exhaust Hazardous Or Explosive Materials And Vapors. Never use the fan in spaces which contain products such as gasoline, solvents, paint thinners, dust particles, volatile or airborne combustibles, or any unknown chemicals.

This product meets and exceeds the requirements of OSHA 1910.212(a)(5), the standard which regulates electric fan blade safety, and is certified under UL# E355088.

Please note the serial number of your fan, and write it on the back of this User's Manual for future reference. Your serial number is located on upper rear section of mount bar.

Safety Information

▲ WARNING

THIS IS A FAN - NOT A TOY! TO REDUCE THE RISK OF PERSONAL INJURY AND ELECTRIC SHOCK, FAN SHOULD NOT BE PLAYED WITH OR PLACED WHERE SMALL CHILDREN CAN REACH IT.

▲ WARNING

DO NOT MOVE THE FAN WHILE OPERATING! MOVING FAN DURING OPERATION CAN CAUSE BLADE DAMAGE.

▲ WARNING

To guard against electric shock while operating, do not allow fan to come in contact with other grounded objects such as pipes, radiators, etc.

▲ WARNING

Risk of fire, electric shock, or personal injury when performing service or maintenance. Unplug or disconnect the fan from the power supply before servicing.

▲ WARNING

CAUTION Automatically Operated Device - To Reduce The Risk Of Injury Disconnect From Power Source Before Servicing.

▲ WARNING

To Reduce The Risk Of Fire Or Electric Shock, Do Not Use This Fan With Any Solid-State Speed Control Device.

▲ WARNING

To Reduce The Risk Of Electric Shock And Injury To Persons, Do Not Use In A Window.



1 Industrial Blvd #101, Sauk Rapids, MN 56379 USA • Toll Free (800) 779-3267
Fax: 320-251-2922 • Web: www.pinnacleclimate.com • Email: info@pinnacleclimate.com

NEVER LEAVE A FAN UNATTENDED WHILE OPERATING OR WHILE CONNECTED TO A POWER SOURCE

Safety Information

⚠ WARNING

To Reduce The Risk Of Electric Shock, Do Not Expose To Water Or Rain. This unit is designed for indoor use only.

⚠ WARNING

Installation work and electrical wiring must be done by qualified person (s) in accordance with all applicable codes and regulations.

⚠ WARNING

When Servicing or replacing a component requires the removal or disconnection of a safety device, the safety device is to be reinstalled or remounted as previously installed before operating this fan.

⚠ WARNING

Use this fan only in the manner intended by the manufacturer. If you have any questions, contact Customer Service at 800-641-6996.

- Before operating always check fan for loose or damaged parts. Inspect power cord for damage. Never use fan without safety guards attached.

-Operate only on 120 volt 60 Hz (cycle) current with a minimum 15 amp circuit.

- When used with an extension cord, use a UL listed, 14 AWG cord equipped with a receptacle to accept the three-prong grounded plug on the fan's power cord and a 3-prong grounded plug for the power source. If extension cord is longer than 50 feet, consult with cord manufacturer for proper cord AWG rating. Always keep power cord and extension cords away from heat, oil, and sharp edges. Inspect cords periodically and replace if damaged.

Operation

NOTE: This fan is equipped with a 2-speed control switch.

TO START FAN:

1. Be sure the Power Switch is in the (OFF) position.
2. Connect to an approved power source.
3. Make sure area is clear from all obstructions.
4. Push Power Switch to the LOW position and allow to operate for 10 seconds.
5. Once 10 seconds have passed, you may now push the Power Switch to the HIGH position.

TO TURN OFF FAN:

1. To turn off the fan, simply return Power Switch to the middle (OFF) position.

NOTE: For longer parts life, after 10 hours of continuous operation, turn fan off for 15 minutes to allow motor and fan belt to cool.

Installation

Simply locate fan in safe, desired position on level ground, fold out axles, attach wheels, and connect to approved power source.

1. Fold out half-axle and lock into position.
2. Attach wheel and insert split pin to secure.

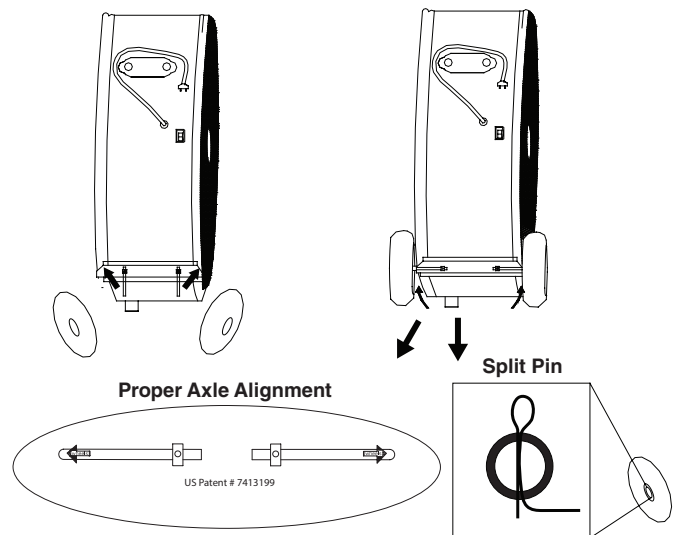


Figure 1

⚠ WARNING

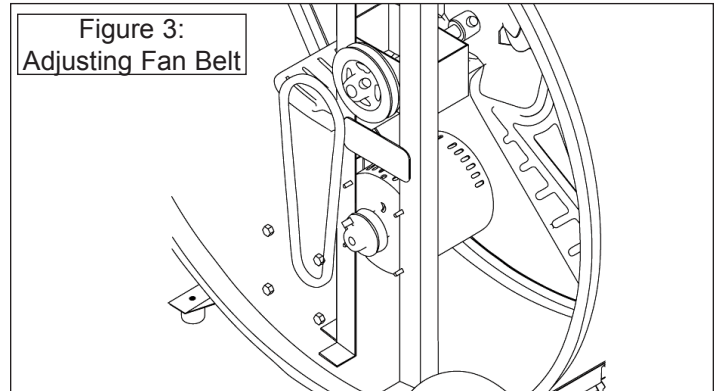
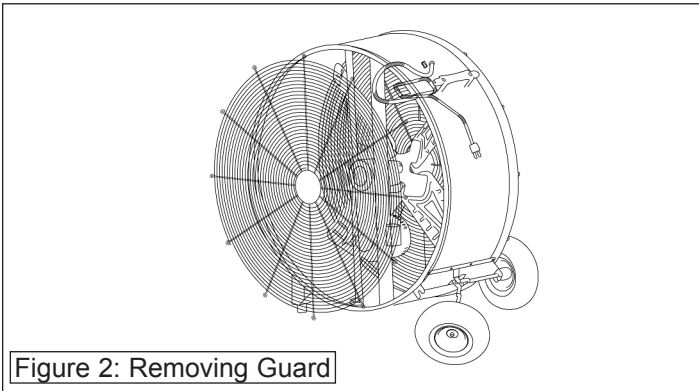
Do not operate any fan with a damaged cord or plug. Discard fan or return to an authorized service facility for examination and/or repair. Do not run cord under carpeting. Do not cover cord with throw rugs, runner, or similar coverings. Do not route cord under furniture or appliances. Arrange cord away from traffic areas and where it will not be tripped over.

NEVER LEAVE A FAN UNATTENDED WHILE OPERATING OR WHILE CONNECTED TO A POWER SOURCE

Belt Tightening / Replacement

1. Remove screws from Rear Guard and tilt wheel (figure 2).
2. Loosen motor nuts, and motor safeguards (located above and below motor).

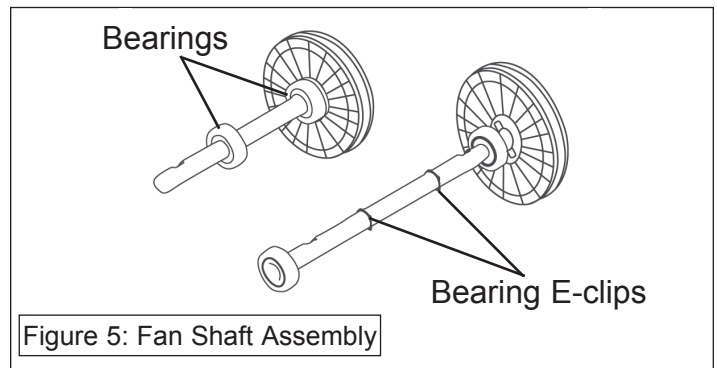
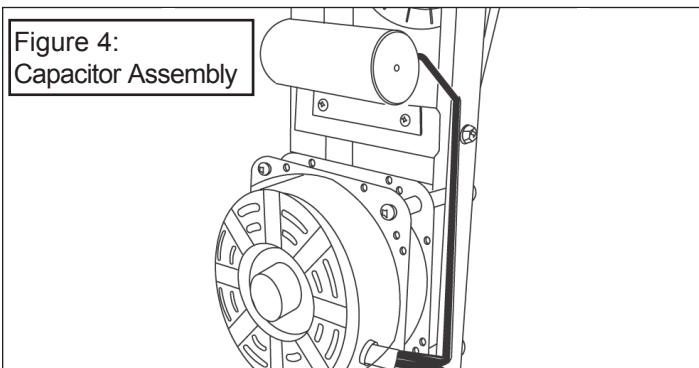
3. Remove belt to replace, or adjust motor to tighten belt (figure 3).



Maintenance and Storage

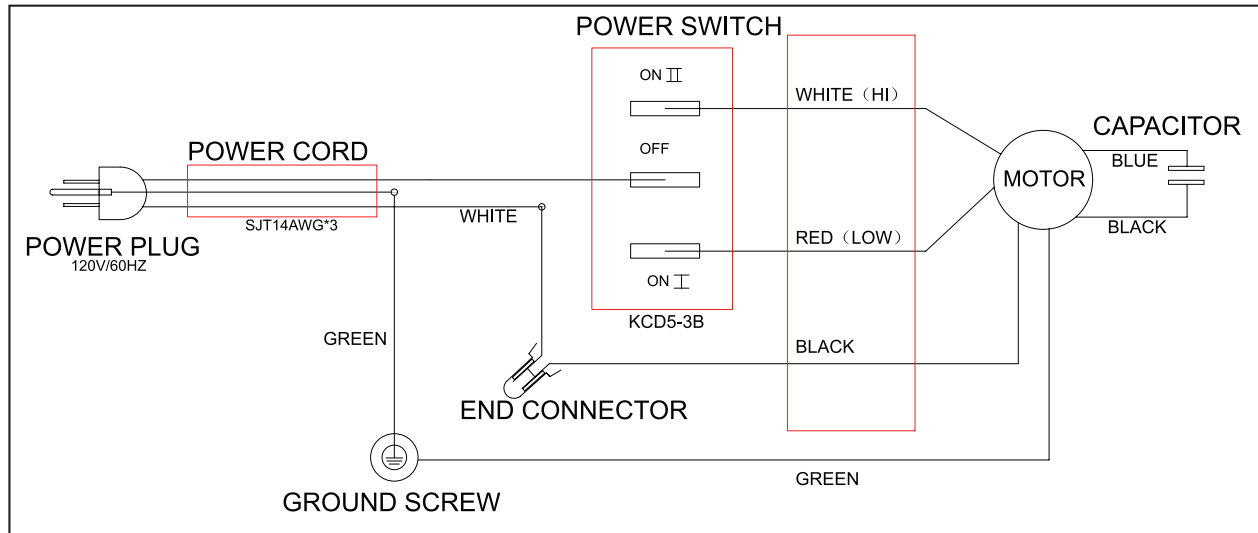
1. Inspect your fan before each use. Check all wires and extension cords, following the procedure outlined on Page 2 (Safety Information).

2. After use, always be sure fan's Power Switch is in the OFF position before unplugging. Use cord wrap (see page 6 Item #7) to keep cord off the ground when transporting fan.



NEVER LEAVE A FAN UNATTENDED WHILE OPERATING OR WHILE CONNECTED TO A POWER SOURCE

Wiring Diagram



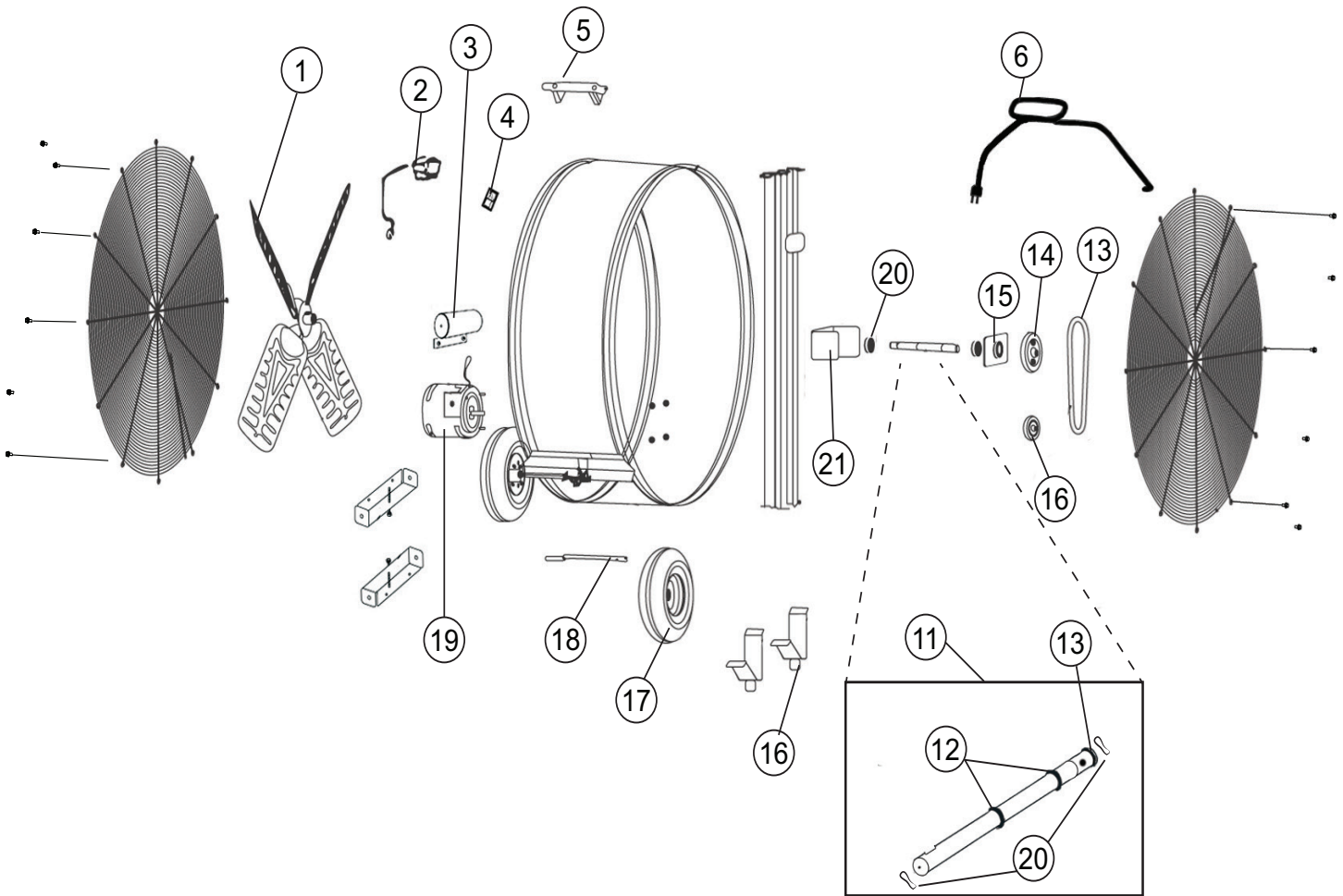
Troubleshooting Guide

Problem	Possible Cause	Corrective Action
Fan does not operate	1. No power	Inspect Power Cord for damage. Be sure unit is plugged in and turned on.
	2. Bad switch	Replace Power Switch (Note: To prolong life of Power Switch, it is recommended that the fan is first operated in LOW for 5-10 seconds before switching to HIGH).
	3. Motor is humming	Capacitor is damaged. Replace Capacitor.
Reduced Air Flow	1. Loose pulleys or fan blade	Tighten motor pulley Hex Screw.
	2. Loose or worn belt	See page 4 for belt tightening instructions.
	3. Motor is humming	Capacitor is damaged. Replace Capacitor.
Excess Noise (vibration, slapping, squealing)	1. Fan is not on level ground	Turn off fan, and relocate unit to smooth level surface.
	2. Motor bolts are not secure	Tighten Motor Safeguard bolts and 4 motor bolts.
	3. Defective E-clips	Replace Fan Bearings / E-clips / Wavy Spring Washer

NEVER LEAVE A FAN UNATTENDED WHILE OPERATING OR WHILE CONNECTED TO A POWER SOURCE

Exploded View

Figure 6: Exploded View



NEVER LEAVE A FAN UNATTENDED WHILE OPERATING OR WHILE CONNECTED TO A POWER SOURCE

Replacement Parts

Item #	Description	Models:		
		36-BDF	42-BDF	48-BDF
1	Fan Blade Assembly	90-003-2050	90-003-2050	90-003-5250
2	Power Switch Holder	90-016-0100	90-016-0100	90-016-0100
3	Capacitor	90-004-1000	90-004-1000	90-004-2500
4	Power Switch	90-025-0100	90-025-0100	90-025-0110
5	Handle / Cord Wrap	90-006-0200	90-006-0200	90-006-0200
6	Power Cord	90-026-0050	90-026-0100	90-026-0100
7	Belt	90-037-0400	90-037-0450	90-037-0450
8	Fan Pulley	90-034-0300	90-034-0350	90-034-0350
9	Bearing Plate	90-013-0100	90-013-0100	90-013-0100
10	Motor Pulley	90-035-0350	90-035-0350	90-035-0355
11	Fan Shaft Assembly: (1) shaft, (2) bearings, (2) e-clips, (2) washers	90-003-0660	90-003-0750	90-003-0755
12	Bearing E-Clip	90-065-0210	90-065-0220	90-065-0220
13	Fan Pulley E-Clip	90-065-0220	90-065-0220	90-065-0220
14	Bearing	90-040-0100	90-040-0100	90-040-0100
15	Bearing Housing	90-013-0200	90-013-0200	90-013-0105
16	Leg	90-002-0480	90-002-0480	90-002-0450
17	Wheel	70-041-1400	70-041-1400	70-041-1400
18	Wheel Axle (per wheel)	90-008-0470	90-008-0480	90-008-0480
19	Motor	90-030-0725	90-030-0825	90-030-0925
20	Wavy Spring Washer	90-066-0001	90-066-0001	90-066-0001

Pinnacle Climate Technologies reserves the right to make any changes in materials, specifications, prices or design without notice. Pinnacle Climate Technologies may also discontinue items at any time.

NEVER LEAVE A FAN UNATTENDED WHILE OPERATING OR WHILE CONNECTED TO A POWER SOURCE

1 YEAR LIMITED WARRANTY

PINNACLE CLIMATE TECHNOLOGIES, INC. WARRANTS THIS PRODUCT TO THE ORIGINAL RETAIL PURCHASER ONLY, TO BE FREE FROM DEFECTS IN MATERIAL AND WORKMANSHIP FOR A PERIOD OF ONE (1) YEAR FROM THE DATE OF INITIAL PURCHASE. THIS PRODUCT MUST BE PROPERLY INSTALLED, MAINTAINED AND OPERATED IN ACCORDANCE WITH THE INSTRUCTIONS PROVIDED.

PINNACLE CLIMATE TECHNOLOGIES, INC. REQUIRES REASONABLE PROOF OF YOUR DATE OF PURCHASE FROM AN AUTHORIZED RETAILER OR DISTRIBUTOR. THEREFORE, YOU SHOULD KEEP YOUR SALES SLIP, INVOICE, OR CANCELLED CHECK FROM THE ORIGINAL PURCHASE. THIS LIMITED WARRANTY SHALL BE LIMITED TO THE REPAIR OR REPLACEMENT OF PARTS, WHICH PROVE DEFECTIVE UNDER NORMAL USE AND SERVICE WITHIN THE WARRANTY PERIOD, AND WHICH **PINNACLE CLIMATE TECHNOLOGIES, INC.** SHALL DETERMINE AT ITS REASONABLE DISCRETION.

THIS WARRANTY DOES NOT APPLY TO PRODUCTS PURCHASED FOR RENTAL USE.

THIS LIMITED WARRANTY DOES NOT COVER REPLACEMENT OF BELTS OR TIGHTENING OF BELTS, OR ANY FAILURES OR OPERATING DIFFICULTIES DUE TO NORMAL WEAR AND TEAR, ACCIDENT, ABUSE, MISUSE, ALTERATION, MISAPPLICATION, IMPROPER INSTALLATION OR IMPROPER MAINTENANCE AND SERVICE BY YOU OR ANY THIRD PARTY. FAILURE TO PERFORM NORMAL AND ROUTINE MAINTENANCE ON THE FAN, SHIPPING DAMAGE, DAMAGE RELATED TO INSECTS, BIRDS, OR ANIMALS OF ANY KIND, AND DAMAGE DUE TO WEATHER CONDITIONS ARE ALSO NOT COVERED. IN ADDITION, THE LIMITED WARRANTY DOES NOT COVER DAMAGE TO THE FINISH, SUCH AS SCRATCHES, DENTS, DISCOLORATION, RUST OR OTHER WEATHER DAMAGE, AFTER PURCHASE.

ALL TRANSPORTATION COSTS FOR THE RETURN OF THE DAMAGED PRODUCT OR PARTS WILL BE THE RESPONSIBILITY OF THE PURCHASER. UPON RECEIPT OF DAMAGED ITEM, **PINNACLE CLIMATE TECHNOLOGIES, INC.** WILL EXAMINE THE ITEM AND DETERMINE IF DEFECTIVE.

ALWAYS BE SURE TO SPECIFY **MODEL NUMBER AND SERIAL NUMBER** WHEN MAKING ANY CLAIM WITH **PINNACLE CLIMATE TECHNOLOGIES, INC.** FOR YOUR CONVENIENCE USE THE SPACE PROVIDED BELOW TO LIST THIS INFORMATION:

Model #: _____ Serial #: _____

Date of Purchase: _____

PINNACLE CLIMATE TECHNOLOGIES, INC. WILL REPAIR OR REPLACE AND RETURN THE ITEM, FREIGHT PRE-PAID. IF **PINNACLE CLIMATE TECHNOLOGIES, INC.** FINDS THE ITEM TO BE IN NORMAL OPERATING CONDITION, OR NOT DEFECTIVE, THE ITEM WILL BE RETURNED FREIGHT COLLECT.

THIS LIMITED WARRANTY IS IN LIEU OF ALL OTHER EXPRESS WARRANTIES. **PINNACLE CLIMATE TECHNOLOGIES, INC.** DISCLAIMS ALL WARRANTIES FOR PRODUCTS THAT ARE PURCHASED FROM SELLERS OTHER THAN AUTHORIZED RETAILERS OR DISTRIBUTORS.

AFTER THE PERIOD OF THE ONE (1) YEAR LIMITED WARRANTY EXPIRES, **PINNACLE CLIMATE TECHNOLOGIES, INC.** DISCLAIMS ANY AND ALL IMPLIED WARRANTIES, INCLUDING WITHOUT LIMITATION THE IMPLIED WARRANTIES OF MERCHANTABILITY AND FITNESS FOR A PARTICULAR APPLICATION. FURTHER, **PINNACLE CLIMATE TECHNOLOGIES, INC.** SHALL HAVE NO LIABILITY WHATSOEVER TO PURCHASER OR ANY THIRD PARTY FOR ANY SPECIAL, INDIRECT, PUNITIVE, INCIDENTAL, OR CONSEQUENTIAL DAMAGES. **PINNACLE CLIMATE TECHNOLOGIES, INC.** ASSUMES NO RESPONSIBILITY FOR ANY DEFECTS CAUSED BY THIRD PARTIES. THIS LIMITED WARRANTY GIVES THE PURCHASER SPECIFIC LEGAL RIGHTS; A PURCHASER MAY HAVE OTHER RIGHTS DEPENDING UPON WHERE HE OR SHE LIVES. SOME STATES DO NOT ALLOW THE EXCLUSION OR LIMITATION OF SPECIAL, INCIDENTAL OR CONSEQUENTIAL DAMAGES, OR LIMITATIONS ON HOW LONG A WARRANTY LASTS, SO THE ABOVE EXCLUSION AND LIMITATIONS MAY NOT APPLY TO YOU.

PINNACLE CLIMATE TECHNOLOGIES, INC. DOES NOT AUTHORIZE ANY PERSON OR COMPANY TO ASSUME FOR IT ANY OTHER OBLIGATION OR LIABILITY IN CONNECTION WITH THE SALE, INSTALLATION, USE, REMOVAL, RETURN, OR REPLACEMENT OF ITS EQUIPMENT, AND NO SUCH REPRESENTATIONS ARE BINDING ON **PINNACLE CLIMATE TECHNOLOGIES, INC.**



1 Industrial Blvd #101, Sauk Rapids, MN 56379 USA • Toll Free (800) 779-3267
Fax: 320-251-2922 • Web: www.pinnacleclimate.com • Email: info@pinnacleclimate.com