



EFFICIENT 13 SEER AIR CONDITIONER ENVIRONMENTALLY SOUND R-410A REFRIGERANT 1-1/2 THRU 5 TONS SPLIT SYSTEM

208/230 Volt, 1-phase, 60 Hz

208/230, 460 & 575 Volt, 3-phase, 60 Hz

REFRIGERATION CIRCUIT

- Scroll compressors on all models
- Filter-Drier supplied with every unit for field installation

• Copper tube / aluminum fin coil

EASY TO INSTALL AND SERVICE

- Easy Access service valves on all models
- External high and low refrigerant service ports
- Only two screws to access control panel
- Factory charged with R-410A refrigerant

BUILT TO LAST

- Baked-on powder coat finish over galvanized steel
- Post-painted (black) coil fins
- Coated, weather-resistant cabinet screws
- Coated inlet grille with 2" (51mm) spacing standard, alternate models available with 3/8" (10mm) grille spacing for extra protection (hail guard)

WARRANTY*

- 5 year compressor limited warranty
- 5 year parts limited warranty (including compressor and coil)
 - With timely registration, an additional 5 year parts limited warranty (including compressor and coil)

* For owner occupied, residential applications only. See warranty certificate for complete details and restrictions, including warranty coverage for other applications.



Use of the AHRI Certified TM Mark indicates a manufacturer's participation in the program. For verification of certification for individual products, go to www.ahridirectory.org.

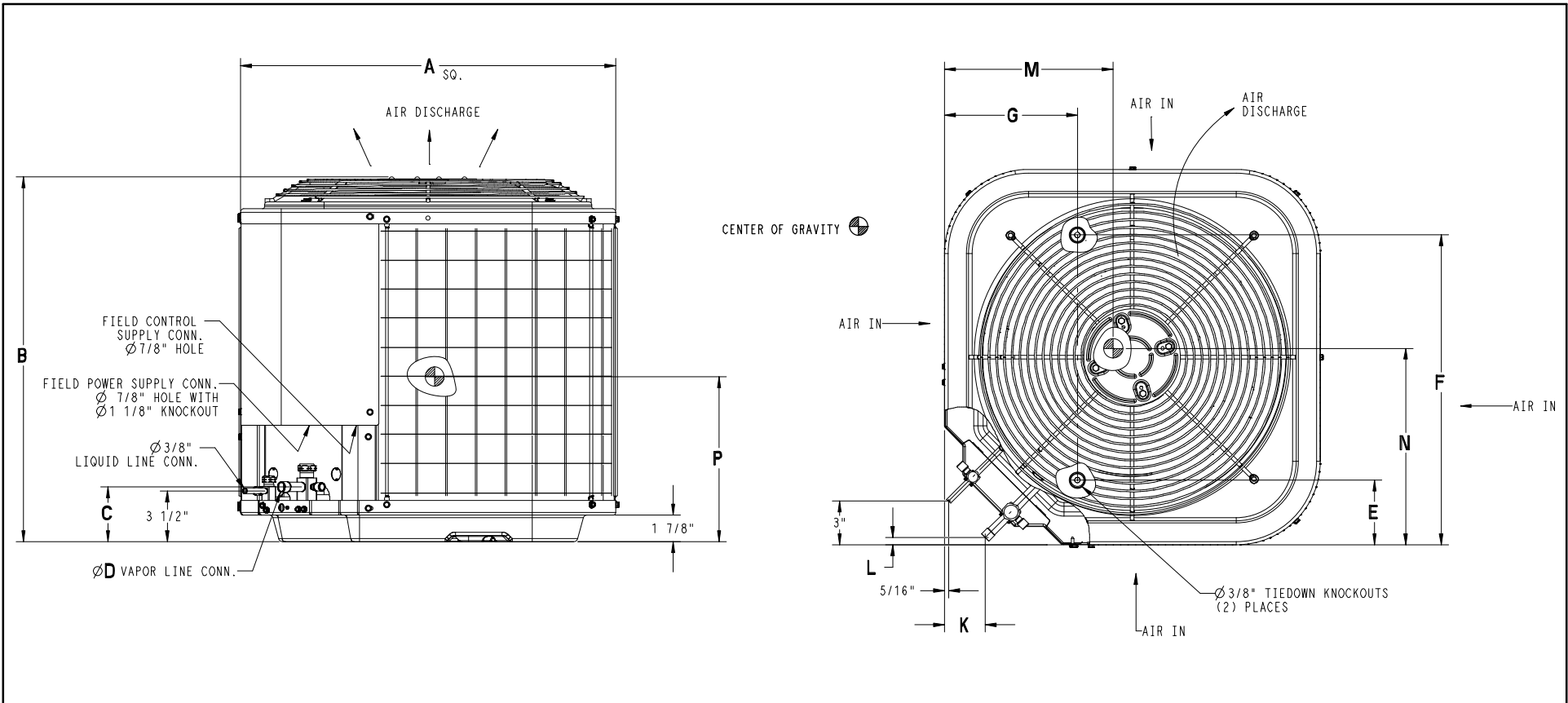


Model Number	Size (tons)	Nominal BTU/hr	Min. Circuit Ampacity	Max. Fuse or Breaker	Operating Dimensions height x width x depth in. (mm)	Ship / Operating Weight lbs. (kg)
N4A318*KC	1-1/2	18,000	12.3	20	25-5/16 x 23-1/8 x 23-1/8 (643 x 587 x 587)	130 / 107(59 / 49)
N4A324*KC	2	24,000	14.8	25		134 / 110(61 / 50)
N4A330*KC	2-1/2	30,000	16.8	25	28-11/16 x 23-1/8 x 23-1/8 (729 x 587 x 587)	136 / 111(62 / 50)
N4A330GHC	2-1/2	30,000	11.2	20		136 / 111(62 / 50)
N4A336*KB	3	36,000	19.2	30	31-13/16 x 25-3/4 x 25-3/4 (808 x 654 x 654)	170 / 141(77 / 64)
N4A336GHB	3		14.5	20		170 / 141(77 / 64)
N4A336GLB			7.7	15		170 / 141(77 / 64)
N4A336GSB			5.3	15		170 / 141(77 / 64)
N4A342*KA	3-1/2	42,000	23.5	40	32-5/16 x 31-3/16 x 31-3/16 (821 x 792 x 792)	208 / 180(94 / 82)
N4A342GHA	3-1/2	42,000	18.0	30		208 / 180(94 / 82)
N4A342GLA			8.1	15		208 / 180(94 / 82)
N4A348*KB	4	48,000	24.3	40	35-3/4 x 31-3/16 x 31-3/16 (908 x 792 x 792)	215 / 178(98 / 81)
N4A348GHB	4		17.8	30		215 / 178(98 / 81)
N4A348GLB			8.3	15		215 / 178(98 / 81)
N4A348GSB			6.0	15		215 / 178(98 / 81)
N4A360*KC	5	60,000	29.0	50	28-15/16 x 31-3/16 x 31-3/16 (735 x 792 x 792)	218 / 184(99 / 84)
N4A360GSC	5	60,000	7.6	15		232 / 199(106 / 91)

* A = 2" (51mm) spacing inlet grille or
. G = 3/8" (10mm) spacing inlet grille

OUTDOOR UNIT MODEL NUMBER IDENTIFICATION GUIDE											
Digit Position:	1	2	3	4	5, 6	7	8	9	10	11	12
Example Part Number:	N	4	A	3	18	A	K	B	1	0	0
T = Tempstar Mainline											
N = Tempstar Entry BRANDING											
4 = R-410A REFRIGERANT											
A = Air Conditioner											
H = Heat Pump TYPE											
3 = 13 SEER											
4 = 14 SEER NOMINAL EFFICIENCY											
18 = 18,000 BTUH = 1-1/2 tons											
24 = 24,000 BTUH = 2 tons											
30 = 30,000 BTUH = 2-1/2 tons											
36 = 36,000 BTUH = 3 tons											
42 = 42,000 BTUH = 3-1/2 tons											
48 = 48,000 BTUH = 4 tons											
60 = 60,000 BTUH = 5 tons NOMINAL CAPACITY											
A = Standard Grille											
G = Coil Guard Grille											
C = Coastal FEATURES											
K = 208/230-1-60											
H = 208/230-3-60											
L = 460-3-60											
S = 575-3-60 VOLTAGE											
Sales Code											
Engineering Revision											
Extra Digit											
Extra Digit											

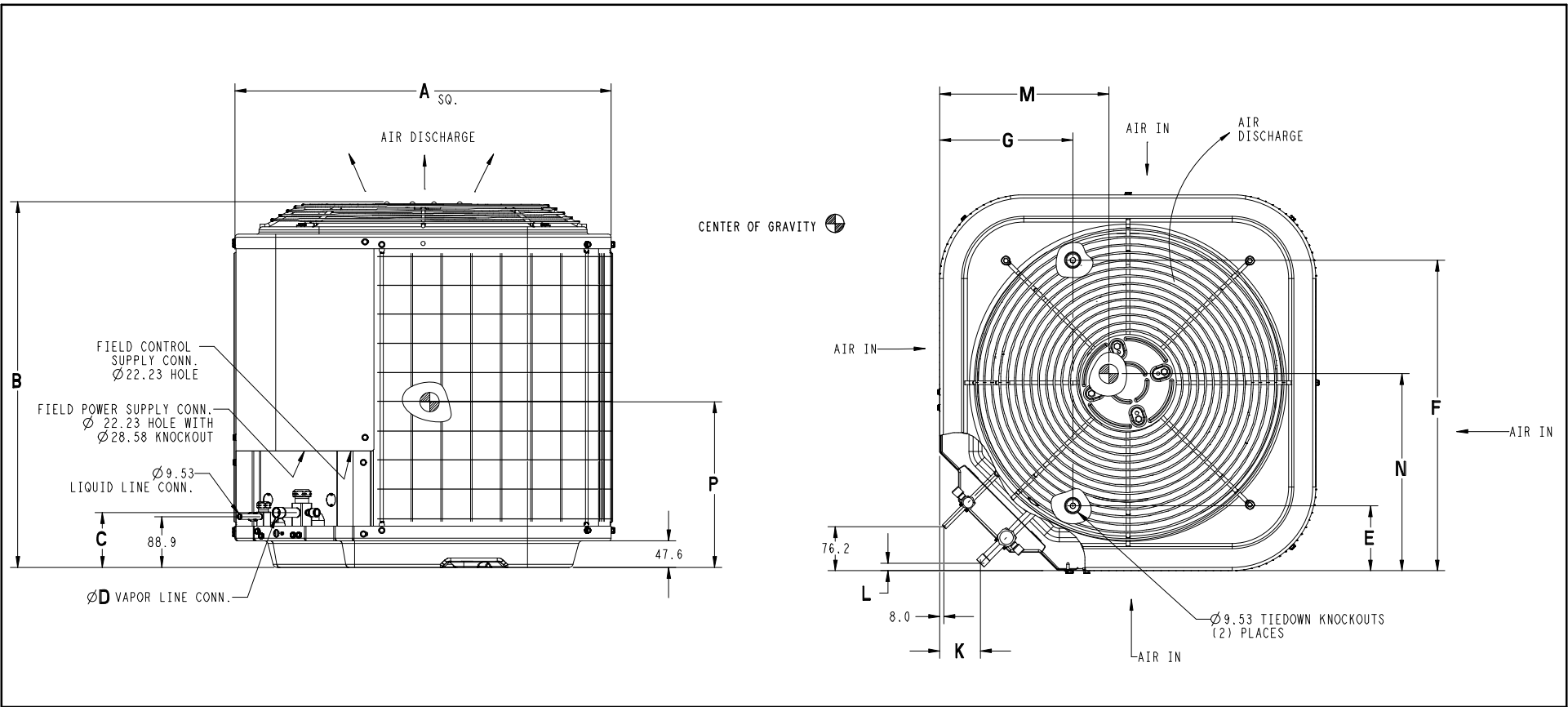
ACCESSORIES PART NUMBER IDENTIFICATION GUIDE									
Digit Position:	1	2	3	4	5	6, 7	8, 9	10, 11	
Example Part Number:	N	A	S	A	0	01	01	CH	
N = Non-Branded BRANDING									
A = Accessory PRODUCT GROUP									
S = Split System (AC & HP) KIT USAGE									
A = Original									
B = 2nd Generation MAJOR SERIES									
0 = Generic or Not Applicable									
2 = R-22									
4 = R-410A REFRIGERANT									
Product Identifier Number									
Package Quantity									
Type of Kit (Example: CH = Crankcase Heater)									



Model	Dimensions Inches (English)												Minimum Mounting Pad Size	Shipping Dimensions L x W x H
	A	B	C	D	E	F	G	K	L	M	N	P		
N4A318* K C	23-1/8	25-5/16	3-3/4	3/4	4-7/16	18-1/16	7-13/16	2-13/16	1/2	16-1/2	15	12	23-1/2 x 23-1/2	25-1/4 x 25-1/4 x 29-7/8
N4A324* K C	23-1/8	25-5/16	3-3/4	3/4	4-7/16	18-1/16	7-13/16	2-13/16	1/2	16-1/2	15	12	23-1/2 x 23-1/2	25-1/4 x 25-1/4 x 29-7/8
N4A330* ‡ C	23-1/8	28-11/16	3-3/4	3/4	4-7/16	18-1/16	7-13/16	2-13/16	1/2	16-1/2	15	14	23-1/2 x 23-1/2	25-1/4 x 25-1/4 x 33-1/4
N4A336* ‡ B	25-3/4	31-13/16	3-7/8	7/8	6-9/16	21-1/4	9-1/8	2-15/16	5/8	14-1/4	10-1/2	16	26 x 26	27-7/8 x 27-7/8 x 36-5/8
N4A342* ‡ A	31-3/16	32-5/16	3-7/8	7/8	6-9/16	24-11/16	9-1/8	2-15/16	5/8	15-3/4	16-1/4	13-3/4	31-1/2 x 31-1/2	33-3/8 x 33-3/8 x 36-5/8
N4A348* ‡ B	31-3/16	35-3/4	3-7/8	7/8	6-9/16	24-11/16	9-1/8	2-15/16	5/8	14-3/4	15-3/8	15	31-1/2 x 31-1/2	33-3/8 x 33-3/8 x 40
N4A360* ‡ C	31-3/16	28-15/16	3-7/8	7/8	6-9/16	24-11/16	9-1/8	2-15/16	5/8	16	15-1/2	12-3/4	31-1/2 x 31-1/2	33-3/8 x 33-3/8 x 33-1/4

* **A** = 2" (51mm) spacing inlet grille, **G** = 3/8" (10mm) spacing inlet grille

‡ **K** = 208/230, 1-phase, **H** = 208/230, 3-phase, **L** = 460 Volt, 3-phase, **S** = 575 Volt, 3-phase



Model	Dimensions mm (SI Metric)												Minimum Mounting Pad Size	Spanish Dimensions L x W x H
	A	B	C	D	E	F	G	K	L	M	N	P		
N4A318* KC	587	643	95	19	113	459	198	71	13	419	381	305	597 x 597	642 x 642 x 757
N4A324* KC	587	643	95	19	113	459	198	71	13	419	381	305	597 x 597	642 x 642 x 757
N4A330* ‡C	587	729	95	19	113	459	198	71	13	419	381	356	597 x 597	642 x 642 x 844
N4A336* ‡B	654	808	98	22	167	540	232	75	16	362	267	406	660 x 660	708 x 708 x 931
N4A342* ‡A	792	821	98	22	167	627	232	75	16	400	413	349	800 x 800	847 x 847 x 931
N4A348* ‡B	792	908	98	22	167	627	232	75	16	375	391	381	800 x 800	847 x 847 x 1017
N4A360* ‡C	792	735	98	22	167	627	232	75	16	359	391	298	800 x 800	847 x 847 x 844

* **A** = 2" (51mm) spacing inlet grille, **G** = 3/8" (10mm) spacing inlet grille

‡ **K** = 208/230, 1-phase, **H** = 208/230, 3-phase, **L** = 460 Volt, 3-phase, **S** = 575 Volt, 3-phase

PHYSICAL DATA (1-phase)							
Model Size	18	24	30	36	42	48	60
Nominal Cooling Capacity (BTU/hr)	18,000	24,000	30,000	36,000	42,000	48,000	60,000
Nominal SEER	13.0	13.0	13.0	13.0	13.0	13.0	13.0
PSC Fan Motor HP	1/12	1/10	1/10	1/4	1/5	1/4	1/4
Fan RPM (single speed)	1100	1100	1100	1100	1100	1100	800
Fan CFM	1792	2218	2218	2954	3167	3365	3365
Coil Face Area ft ² (m ²)	8.40(.78)	8.40(.78)	9.80(.91)	13.13(1.22)	17.25(1.6)	19.40(1.8)	12.93(1.2)
Coil Rows – fins per inch	1 – 20	1 – 25	1 – 25	1 – 25	1 – 25	1 – 25	2 – 20
Liquid Line Connection Size in. (mm)	3/8 (10)	3/8 (10)	3/8 (10)	3/8 (10)	3/8 (10)	3/8 (10)	3/8 (10)
Vapor Line Connection Size in. (mm)	3/4 (19)	3/4 (19)	3/4 (19)	7/8 (22)	7/8 (22)	7/8 (22)	7/8 (22)
Recommended Line Set Liquid Tube Diameter in. (mm)	3/8 (10)	3/8 (10)	3/8 (10)	3/8 (10)	3/8 (10)	3/8 (10)	3/8 (10)
Recommended Line Set Vapor Tube Diameter in. (mm)	3/4 (19)*	3/4 (19)*	3/4 (19)*	7/8 (22)*	7/8 (22)*	7/8 (22)*	18 (29)*
* Recommended Vapor Tube Line size is for standard installations. These recommendations may not apply to “Long Line” installations. Consult the Long Line Application Guideline document before purchasing/installing line sets.							
Factory Charge R-410A lbs. (kg)	3.50 (1.59)	3.80 (1.72)	4.10 (1.86)	5.34 (2.42)	5.84 (2.65)	7.00 (3.18)	8.19 (3.71)
Required Subcooling °F (°C)	10 (6)	10 (6)	10 (6)	14 (8)	10 (6)	15 (8)	13 (7)
Weight, shipping lbs. (kg)	130 (59)	134 (61)	136 (62)	170 (77)	208 (94)	216 (98)	218 (99)
Weight, operating lbs. (kg)	107 (49)	110 (50)	111 (50)	141 (64)	180 (82)	179 (81)	184 (84)

PHYSICAL DATA (3-phase)					
Model Size	30	36	42	48	60
Nominal Cooling Capacity (BTU/hr)	30,000	36,000	42,000	48,000	60,000
Nominal SEER	13.0	13.0	13.0	13.0	13.0
Sound Rating (dBA) **	74	75	78	80	79
PSC Fan Motor HP	1/10	1/4	1/5	1/4	1/4
Fan RPM (single speed)	1100	1100	1100	1100	1100
Fan CFM	2218	2954	3167	3365	3365
Coil Face Area ft ² (m ²)	9.80 (0.91)	13.13 (1.22)	17.25 (1.60)	19.40 (1.80)	15.09 (1.40)
Coil Rows – fins per inch	1 – 25	1 – 25	1 – 25	1 – 25	2 – 20
Liquid Line Connection Size in. (mm)	3/8 (10)	3/8 (10)	3/8 (10)	3/8 (10)	3/8 (10)
Vapor Line Connection Size in. (mm)	3/4 (19)	7/8 (22)	7/8 (22)	7/8 (22)	7/8 (22)
Recommended Line Set Liquid Tube Diameter in. (mm)	3/8 (10) *	3/8 (10) *	3/8 (10) *	3/8 (10) *	3/8 (10) *
Recommended Line Set Vapor Tube Diameter in. (mm)	3/4 (19) *	7/8 (22) *	7/8 (22) *	7/8 (22) *	18 (29)*
*Recommended Vapor Tube Line size is for standard installations. These recommendations may not apply to “Long Line” installations. Consult the Long Line Application Guideline document before purchasing/installing line sets.					
Factory Charge, R-410A lbs. (kg)	4.10 (1.86)	5.34 (2.42)	5.84 (2.65)	7.00(3.18)	8.00 (3.63)
Required Subcooling °F (°C)	10 (6)	14 (8)	10 (6)	15 (8)	10 (6)
Weight, shipping lbs. (kg)	136 (62)	170 (77)	208 (94)	216 (98)	224 (102)
Weight, operating lbs. (kg)	111 (50)	141 (64)	180 (82)	179 (81)	192 (87)

ELECTRICAL DATA (208/230-1-60, voltage range 197V - 253V)							
Model Size	18	24	30	36	42	48	60
Minimum Circuit Ampacity - MCA (amps)	12.3	14.8	16.8	19.2	23.5	24.3	29.0
Maximum OverCurrent Protective device - MOCP (amps)	20	25	25	30	40	40	50
Compressor RLA (Rated Load Amps) LRA (Locked Rotor Amps)	9.4 56.6	11.2 60.8	12.8 64.0	14.2 70.0	17.9 112.0	18.3 93.0	22.1 125.0
Fan Motor FLA (Full Load Amps)	.5	.77	.77	1.4	1.1	1.4	1.4

ELECTRICAL DATA (208/230, 460, 575-3-60)												
Model Size	30GH	36GH	36GL	36GS	42GH	42GL	48GH	48GL	48GS	60GH	60GL	60GS
Supply Voltage, 3-phase 60 Hz.	208/230	208/230	460	575	208/230	460	208/230	460	575	208/230	460	575
Acceptable Voltage Range, min-max	197-253	197-253	414-506	518-632	197-253	414-506	197-253	414-506	518-632	197-253	414-506	518-632
Minimum Circuit Ampacity MCA (amps)	11.2	14.5	7.7	5.3	18.0	8.1	17.8	8.3	6.0	21.4	10.5	7.6
Maximum OverCurrent Protective device MOCP (amps)	20	20	15	15	30	15	30	15	15	30	15	15
Compressor RLA (Rated Load Amps) LRA (Locked Rotor Amps)	8.3 58.0	10.5 71.0	5.6 38.0	3.8 36.5	13.5 88.0	6.0 44.0	13.1 83.1	6.1 41.0	4.4 33.0	16.0 110.0	7.8 52.0	5.7 38.9
Fan Motor FLA (Full Load Amps)	.77	1.4	0.7	0.5	1.1	0.6	1.4	0.7	0.5	1.4	0.7	0.5

**Sound Rating tested in accordance with ARI Standard 270-95 (not listed with AHRI).

A-Weighted Sound Power Level - Without Sound Shield								
Model	Standard Rating (dBA)	TYPICAL OCTAVE BAND SPECTRUM (without tone adjustment)						
		125	250	500	1000	2000	4000	8000
318A(G)KC	72	53.5	59.5	63.5	67.0	63.5	59.0	52.5
324A(G)KC	76	55.0	61.5	67.0	71.5	69.0	61.0	55.0
330A(G)KC/GHC	74	55.0	63.5	68.5	68.5	65.5	61.0	54.0
336A(G)KB	73	53.0	61.0	67.0	69.0	65.5	63.0	55.5
336GHB/GLB/GSB	75	59.5	63.0	68.5	70.0	65.5	61.5	53.5
342A(G)KA/GHA/GLA	78	57.5	65.0	71.0	73.0	70.5	67.5	62.5
348A(G)KB	77	54.0	67.5	71.5	71.5	69.5	67.0	61.5
348GHB/GLB/GSB	80	58.5	67.5	73.5	75.0	70.5	67.5	64.5
360A(G)KC	79	57.5	67.0	72.0	75.0	72.5	68.0	61.0
360GHC/GLC/GSC	79	59.5	69.5	72.5	73.5	71.0	68.0	63.5

Note: Tested in accordance with AHRI Standard 270-2008 (not listed in AHRI).

A-Weighted Sound Power Level - With Sound Shield								
Model	Standard Rating (dBA)	TYPICAL OCTAVE BAND SPECTRUM (without tone adjustment)						
		125	250	500	1000	2000	4000	8000
318A(G)KC	71	55.5	60.5	64.0	66.0	63.0	58.5	52.0
324A(G)KC	74	55.5	60.5	66.5	70.0	67.0	61.0	53.5
330A(G)KC/GHC	73	55.5	64.0	68.0	67.0	64.0	60.0	52.5
336A(G)KB	73	54.5	61.5	66.5	68.5	65.0	61.5	52.5
336GHB/GLB/GSB	74	59.5	63.0	68.0	69.5	65.0	60.5	50.5
342A(G)KA/GHA/GLA	77	57.5	65.0	70.5	72.0	70.0	67.0	62.0
348A(G)KB	77	54.0	68.0	71.5	71.5	69.0	66.5	61.0
348GHB/GLB/GSB	79	60.5	67.5	73.5	74.5	71.0	68.0	63.5
360A(G)KC	79	57.5	68.0	72.5	74.5	72.5	68.0	60.5
360GHC/GLC/GSC	78	60.5	69.5	72.5	73.0	71.0	67.5	61.5

Note: Tested in accordance with AHRI Standard 270-2008 (not listed in AHRI).

R-410A COOLING CAPACITY LOSS FOR VARIOUS LINE LENGTHS & TUBE DIAMETERS

Model Size	Liquid Line in. (mm)	Acceptable Vapor Line Sizes in. (mm)	Cooling Capacity Loss (%) at Total Equivalent Line Length, feet (m) Refer to Long Line Application Guideline to calculate equivalent length										
			Standard Application			Long Line Application (Requires Accessories)							
			25' (7.6)	50' (15.2)	80' (24.4)	81' (24.7)	100' (30.5)	125' (38.1)	150' (45.7)	175' (53.3)	200' (61)	225' (68.6)	250' (76.2)
18	3/8 (10)	1/2 (13)	1	2	3	3	4	6	7	8	9	10	12
		5/8 (16)	0	0	1	1	1	1	2	2	3	3	3
		3/4 (19)	0	0	0	0	0	1	1	1	1	1	1
24		5/8 (16)	0	1	1	1	2	3	3	4	4	5	6
		3/4 (19)	0	0	0	0	0	1	1	1	1	1	2
		7/8 (22)	0	0	0	0	0	0	0	0	0	0	1
30		5/8 (16)	1	2	3	3	3	4	5	6	7	8	9
		3/4 (19)	0	0	1	1	1	1	2	2	2	3	3
		7/8 (22)	0	0	0	0	0	1	1	1	1	1	1
36		5/8 (16)	1	2	4	4	5	6	7	9	10	11	13
		3/4 (19)	0	0	1	1	1	2	2	3	3	4	4
		7/8 (22)	0	0	0	0	0	1	1	1	1	2	2
42	3/4 (19)	0	1	2	2	2	3	4	4	5	6	6	
	7/8 (22)	0	0	1	1	1	1	2	2	2	3	3	
	1-1/8 (29)	0	0	0	0	0	0	0	0	0	0	1	
48	3/4 (19)	0	1	2	2	3	4	5	5	6	7	8	
	7/8 (22)	0	0	1	1	1	2	2	2	3	3	4	
	1-1/8 (29)	0	0	0	0	0	0	0	0	1	1	1	
60	3/4 (19)	1	2	4	4	5	6	7	9	10	11	12	
	7/8 (22)	0	1	2	2	2	3	4	4	5	5	6	
	1-1/8 (29)	0	0	0	0	1	1	1	1	1	1	2	

Consult the Long Line Application Guideline document before purchasing/installing line sets.

Applications in shaded area may have height restrictions that limit allowable total equivalent length when outdoor unit is below indoor unit.

COOLING PERFORMANCE FOR COMBINATION RATINGS Indoor Models

For complete ratings information, use the AHRI website directory search: www.AHRIdirectory.org.
New ratings may be listed online before Specification Sheets are updated.

Unit Size	Indoor Model	Furnace Model	AHRI Standard Ratings					
			Cooling 95° F (35°C)					
			Capacity	Factory Installed	SEER			EER
Standard	W/ Field TDR	Piston						
N4A318A(G)KC	*EA*4X18L14A*		17,600	TXV		13.00		10.90
N4A324A(G)KC	*EA*4X24L14A*		23,000	TXV		13.00		10.90
N4A330A(G)K(H)C	*ED*4X30B**		27200	TXV		13.00		10.80
N4A336A(G)K(H,L,S)B	*EA*4X36*17A*		34,000	TXV		13.00		11.00
N4A342A(G)K(H,L)A	*ED*4X42J**		41000	TXV		13.00		11.00
N4A348A(G)K(H,L,S)B	*EA*4X48*21A*		46,000	TXV		13.00		11.00
N4A360A(G)K(H,L,S)C	*EA*4X60*24A*		58,000	TXV		13.00		11.00

TESTED AHRI COMBINATION RATINGS*

NOTE: Ratings contained in this document are subject to change at any time.

For AHRI ratings certificates, please refer to the AHRI directory. www.ahridirectory.org

Additional ratings and system combinations can be accessed via the Tempstar database:

<http://www.icpeqp.com/AHRIratings/ratings.aspx?Brand=Tempstar>

Or scan this QR code:



EXPANDED COOLING PERFORMANCE RATINGS For Outdoor / Indoor Models

For complete ratings information, use the AHRI website directory search: www.AHRIdirectory.org.
New ratings may be listed online before Specification Sheets are updated.

N4A318																			
EVAPORATOR AIR		CONDENSER ENTERING AIR TEMPERATURES deg F																	
		75			85			95			105			115			125		
		Capacity MBtuh		Total System KW	Capacity MBtuh		Total System KW	Capacity MBtuh		Total System KW	Capacity MBtuh		Total System KW	Capacity MBtuh		Total System KW	Capacity MBtuh		Total System KW
CFM	EWB	Total	Sens		Total	Sens		Total	Sens		Total	Sens		Total	Sens		Total	Sens	
N4A318A(G)KC* Outdoor Section With ED*4X24B** Indoor Section																			
525	72	20.29	10.09	1.24	19.40	9.77	1.39	18.45	9.43	1.55	17.52	9.10	1.73	16.49	8.74	1.93	15.33	8.34	2.14
	67	18.68	12.44	1.24	17.84	12.11	1.39	16.95	11.75	1.55	16.05	11.40	1.73	15.07	11.02	1.93	13.98	10.61	2.15
	63	17.49	12.10	1.24	16.69	11.75	1.39	15.84	11.39	1.55	14.96	11.02	1.74	14.01	10.63	1.94	12.98	10.21	2.15
	62	17.19	14.76	1.24	16.42	14.42	1.39	15.60	14.05	1.55	14.77	13.66	1.74	13.93	13.93	1.93	13.10	13.10	2.15
	57	16.69	16.69	1.24	16.06	16.06	1.39	15.39	15.39	1.55	14.69	14.69	1.74	13.93	13.93	1.93	13.10	13.10	2.15
600	72	20.65	10.58	1.26	19.66	10.24	1.41	18.69	9.90	1.57	17.73	9.57	1.76	16.67	9.20	1.96	15.48	8.80	2.17
	67	18.98	13.22	1.27	18.12	12.88	1.41	17.20	12.53	1.58	16.28	12.18	1.76	15.27	11.80	1.96	14.16	11.38	2.17
	63	17.80	12.83	1.27	16.97	12.49	1.42	16.09	12.13	1.58	15.19	11.75	1.76	14.22	11.36	1.96	13.16	10.93	2.18
	62	17.56	15.84	1.27	16.78	15.48	1.42	15.96	15.96	1.58	15.24	15.24	1.76	14.43	14.43	1.96	13.55	13.55	2.18
	57	17.35	17.35	1.27	16.69	16.69	1.42	15.98	15.98	1.58	15.24	15.24	1.76	14.44	14.44	1.96	13.55	13.55	2.18
675	72	20.88	11.04	1.29	19.84	10.68	1.44	18.84	10.34	1.60	17.87	10.01	1.78	16.79	9.65	1.98	15.57	9.24	2.20
	67	19.19	13.97	1.29	18.31	13.63	1.44	17.37	13.28	1.60	16.44	12.92	1.79	15.41	12.53	1.99	14.28	12.10	2.20
	63	18.02	13.54	1.30	17.18	13.19	1.44	16.28	12.82	1.61	15.36	12.45	1.79	14.37	12.04	1.99	13.29	11.60	2.21
	62	17.91	17.77	1.30	17.19	17.19	1.44	16.44	16.44	1.61	15.68	15.68	1.79	14.84	14.84	1.99	13.91	13.91	2.20
	57	17.89	17.89	1.30	17.19	17.19	1.44	16.44	16.44	1.61	15.68	15.68	1.79	14.84	14.84	1.99	13.91	13.91	2.20

COOLING MULTIPLIERS FOR COMBINATION RATINGS: N4A318

COOLING INDOOR MODEL	CAPACITY	POWER	FURNACE MODEL	COOLING INDOOR MODEL	CAPACITY	POWER	FURNACE MODEL
*EA*4X18L14A*	1.00	1.00		EHD4X24AAL	1.02	0.94	*9MV*0401410A**
EA*4X18L14A*	0.99	0.94	*8MV*0701412**	EN(A,D)4X18L14**	1.00	0.93	*9MV*0401410A**
EA*4X24L14A*	1.01	0.92	*8MV*0701412**	EN(A,D)4X24L14**	1.02	0.94	*9MV*0401410A**
EA*4X24L14A*	1.01	0.92	*8MV*0701412**	EN(A,D)4X24L17**	1.02	0.94	*9MV*0401410A**
EHD4X24AAL	1.02	0.93	*8MV*0701412**	ENH4X24L17**	1.02	0.94	*9MV*0401410A**
EN(A,D)4X18L14**	0.99	0.90	*8MV*0701412**	EA*4X24L17A*	1.02	0.92	*9MV*0401712A**
EN(A,D)4X19L17**	1.02	0.93	*8MV*0701412**	EHD4X24AAL	1.02	0.92	*9MV*0401712A**
EN(A,D)4X24L14**	1.01	0.90	*8MV*0701412**	EN(A,D)4X19L17**	1.02	0.93	*9MV*0401712A**
ENH4X24L17**	1.01	0.90	*8MV*0701412**	EN(A,D)4X24L17**	1.01	0.94	*9MV*0401712A**
EA*4X24L17A*	1.02	0.92	*8MV*0901716**	ENH4X24L17**	1.01	0.94	*9MV*0401712A**
EHD4X24AAL	1.02	0.93	*8MV*0901716**	EA*4X18L14A*	1.01	0.94	*9MV*0601412A**
EN(A,D)4X19L17**	1.02	0.93	*8MV*0901716**	EA*4X24L14A*	1.02	0.93	*9MV*0601412A**
EN(A,D)4X24L17**	1.01	0.90	*8MV*0901716**	EA*4X24L17A*	1.03	0.93	*9MV*0601412A**
ENH4X24L17**	1.01	0.90	*8MV*0901716**	EHD4X24AAL	1.03	0.93	*9MV*0601412A**
ENH4X24L17**	1.01	0.90	*8MV*0901716**	EN(A,D)4X18L14**	1.01	0.94	*9MV*0601412A**
EA*4X18L14A*	1.01	0.91	*8MX*0451408**	EN(A,D)4X19L17**	1.03	0.94	*9MV*0601412A**
EA*4X24L14A*	1.03	0.94	*8MX*0451408**	EN(A,D)4X24L14**	1.02	0.93	*9MV*0601412A**
EA*4X24L14A*	1.03	0.94	*8MX*0451408**	EN(A,D)4X24L17**	1.02	0.93	*9MV*0601412A**
EHD4X24AAL	1.03	0.94	*8MX*0451408**	ENH4X24L17**	1.02	0.93	*9MV*0601412A**
EN(A,D)4X18L14**	1.01	0.92	*8MX*0451408**	EA*4X24L17A*	1.03	0.92	*9MV*0601714A**
EN(A,D)4X19L17**	1.02	0.93	*8MX*0451408**	EHD4X24AAL	1.02	0.93	*9MV*0601714A**
EN(A,D)4X24L14**	1.02	0.91	*8MX*0451408**	EN(A,D)4X19L17**	1.05	0.92	*9MV*0601714A**
ENH4X24L17**	1.01	0.90	*8MX*0451408**	EN(A,D)4X24L17**	1.02	0.93	*9MV*0601714A**
EA*4X24L17A*	1.01	0.92	*9MA*0601714A**	ENH4X24L17**	1.02	0.93	*9MV*0601714A**
EHD4X24AAL	1.02	0.93	*9MA*0601714A**	EA*4X24L17A*	1.04	0.91	*9MV*0801716A**
EN(A,D)4X19L17**	1.02	0.93	*9MA*0601714A**	EHD4X24AAL	1.03	0.90	*9MV*0801716A**
EN(A,D)4X24L17**	1.02	0.92	*9MA*0601714A**	EN(A,D)4X19L17**	1.05	0.92	*9MV*0801716A**
ENH4X24L17**	1.02	0.92	*9MA*0601714A**	EN(A,D)4X24L17**	1.03	0.91	*9MV*0801716A**
EHD4X24AAL	1.03	0.93	*9MA*0602120A**	ENH4X24L17**	1.03	0.91	*9MV*0801716A**
EA*4X24L17A*	1.01	0.92	*9MA*0801714A**	EHD4X24AAL	1.04	0.91	*9MV*0802120A**
EHD4X24AAL	1.02	0.92	*9MA*0801714A**	EHD4X24AAL	1.05	0.92	*9MV*1002120A**
EN(A,D)4X19L17**	1.02	0.90	*9MA*0801714A**	EHD4X24AAL	1.05	0.92	*9MV*1202422A**
EN(A,D)4X24L17**	1.01	0.92	*9MA*0801714A**	EA*4X18L14A*	0.99	0.92	*9MX*0401410A**
ENH4X24L17**	1.01	0.92	*9MA*0801714A**	EA*4X24L14A*	1.01	0.92	*9MX*0401410A**
EA*4X18L14A*	0.99	0.94	*9MV*0401410A**	EA*4X24L17A*	1.01	0.92	*9MX*0401410A**
EA*4X24L14A*	1.02	0.94	*9MV*0401410A**	EHD4X24AAL	1.01	0.92	*9MX*0401410A**
EA*4X24L17A*	1.02	0.94	*9MV*0401410A**	EN(A,D)4X18L14**	0.99	0.92	*9MX*0401410A**

COOLING MULTIPLIERS FOR COMBINATION RATINGS: N4A318																	
COOLING INDOOR MODEL				CAPACITY	POWER	FURNACE MODEL			COOLING INDOOR MODEL				CAPACITY	POWER	FURNACE MODEL		
EN(A,D)4X24L14**	1.01	0.93	*9MX*0401410A**	EN(A,D)4X19L17**	1.02	0.93	OMV098J12*										
EN(A,D)4X24L17**	1.01	0.93	*9MX*0401410A**	EN(A,D)4X24L17**	1.02	0.93	OMV098J12*										
ENH4X24L17**	1.01	0.93	*9MX*0401410A**	ENH4X24L17**	1.02	0.93	OMV098J12*										
EA*4X24L17A*	1.02	0.92	*9MX*0401712A**	EA*4X24L14A*	1.02	1.01											
EHD4X24AAL	1.02	0.92	*9MX*0401712A**	EA*4X24L17A*	1.02	1.01											
EN(A,D)4X19L17**	1.02	0.93	*9MX*0401712A**	EHD4X24AAL	0.98	0.98											
EN(A,D)4X24L17**	1.01	0.92	*9MX*0401712A**	EMA4X24DAL	0.98	0.98											
ENH4X24L17**	1.01	0.92	*9MX*0401712A**	EN(A,D)4X18L14**	1.00	0.99											
EA*4X18L14A*	1.00	0.91	MV08**14C*	EN(A,D)4X19L17**	1.02	1.01											
EA*4X24L14A*	1.02	0.91	MV08**14C*	EN(A,D)4X24L14**	1.02	1.01											
EA*4X24L17A*	1.02	0.91	MV08**14C*	EN(A,D)4X24L17**	1.02	1.01											
EA*4X30L14A*	1.03	0.92	MV08**14C*	ENH4X24L17**	1.02	1.01											
EA*4X30L17A*	1.03	0.92	MV08**14C*	FCM4X24***	1.02	0.93											
EHD4X24AAL	1.03	0.92	MV08**14C*	FEA4X18**A*	1.02	0.93											
EHD4X30AAL	1.03	0.92	MV08**14C*	FEA4X24**A*	1.02	0.91											
EN(A,D)4X18L14**	1.02	0.92	MV08**14C*	FEA4X30**A*	1.02	0.97											
EN(A,D)4X19L17**	1.03	0.92	MV08**14C*	FEA4X36**A*	1.02	0.97											
EN(A,D)4X24L14**	1.02	0.91	MV08**14C*	FEM4P18**A*	1.01	0.92											
EN(A,D)4X24L17**	1.02	0.91	MV08**14C*	FEM4P24**A*	1.01	0.92											
EN(A,D)4X30L14**	1.03	0.92	MV08**14C*	FEM4X18**A*	1.02	0.96											
EN(A,D)4X30L17**	1.03	0.92	MV08**14C*	FEM4X18**B*	1.02	0.96											
EN(A,D)4X31L17**	1.05	0.91	MV08**14C*	FEM4X24**A*	1.02	0.93											
ENH4X24L17**	1.02	0.91	MV08**14C*	FEM4X24**B*	1.02	0.96											
ENH4X31L17**	1.05	0.91	MV08**14C*	FMA4P18**A*	1.02	1.01											
EA*4X24L17A*	1.02	0.92	NOMV106D12*	FMA4P24**A*	1.02	1.01											
EHD4X24AAL	1.02	0.93	NOMV106D12*	FS(M,U)4P18**A*	1.01	1.00											
EN(A,D)4X19L17**	1.02	0.93	NOMV106D12*	FS(M,U)4P24**A*	1.01	1.00											
EN(A,D)4X24L17**	1.02	0.92	NOMV106D12*	FSA4X18**A*	0.98	0.98											
ENH4X24L17**	1.02	0.92	NOMV106D12*	FSA4X24**A*	0.98	0.98											
EA*4X24L17A*	1.02	0.93	OLV098A12*	FVM4X24****	0.98	0.87											
EN(A,D)4X19L17**	1.02	0.93	OLV098A12*	FXM4X18**A*	1.02	0.93											
EN(A,D)4X24L17**	1.02	0.93	OLV098A12*	FXM4X24**A*	1.03	0.94											
EA*4X24L17A*	1.02	0.93	OMV098J12*	FXM4X30**A*	1.03	0.94											
EHD4X24AAL	1.02	0.93	OMV098J12*														

* Tested Combination

N4A324																							
EVAPORATOR AIR		CONDENSER ENTERING AIR TEMPERATURES deg F																					
		75				85				95				105				115				125	
		Capacity MBtuh		Total System KW	Capacity MBtuh		Total System KW	Capacity MBtuh		Total System KW	Capacity MBtuh		Total System KW	Capacity MBtuh		Total System KW	Capacity MBtuh		Total System KW				
CFM	EWB	Total	Sens	Total	Sens	Total	Sens	Total	Sens	Total	Sens	Total	Sens	Total	Sens	Total	Sens	Total	Sens				
N4A324A(G)KC* Outdoor Section With ED*4X24B** Indoor Section																							
700	72	27.06	13.71	1.65	25.82	13.26	1.84	24.64	12.84	2.06	23.44	12.41	2.30	22.11	11.94	2.56	20.62	11.43	2.85				
	67	24.87	16.95	1.65	23.82	16.53	1.84	22.70	16.08	2.05	21.55	15.63	2.29	20.30	15.14	2.56	18.91	14.61	2.85				
	63	23.36	16.50	1.64	22.35	16.06	1.84	21.28	15.60	2.05	20.16	15.14	2.29	18.96	14.63	2.56	17.65	14.09	2.85				
	62	22.98	20.20	1.64	22.00	19.75	1.84	20.97	19.28	2.05	19.92	18.78	2.29	18.88	18.88	2.56	17.80	17.80	2.85				
	57	22.41	22.41	1.64	21.61	21.61	1.83	20.75	20.75	2.05	19.85	19.85	2.29	18.88	18.88	2.56	17.80	17.80	2.85				
800	72	27.50	14.39	1.69	26.14	13.91	1.88	24.93	13.48	2.10	23.69	13.05	2.33	22.33	12.58	2.60	20.80	12.06	2.88				
	67	25.24	18.02	1.68	24.15	17.59	1.88	23.00	17.15	2.09	21.83	16.70	2.33	20.54	16.20	2.59	19.12	15.66	2.88				
	63	23.74	17.51	1.68	22.70	17.08	1.87	21.59	16.61	2.09	20.45	16.14	2.33	19.21	15.63	2.60	17.86	15.08	2.89				
	62	23.44	21.67	1.68	22.46	21.19	1.87	21.49	21.49	2.09	20.55	20.55	2.33	19.52	19.52	2.59	18.38	18.38	2.88				
	57	23.25	23.25	1.68	22.41	22.41	1.87	21.49	21.49	2.09	20.55	20.55	2.33	19.52	19.52	2.59	18.38	18.38	2.88				
900	72	27.78	15.02	1.73	26.38	14.53	1.92	25.12	14.10	2.13	23.86	13.67	2.37	22.46	13.20	2.63	20.90	12.67	2.92				
	67	25.51	19.05	1.72	24.39	18.62	1.91	23.21	18.17	2.13	22.02	17.72	2.37	20.71	17.22	2.63	19.26	16.66	2.92				
	63	24.01	18.48	1.72	22.95	18.04	1.91	21.82	17.57	2.13	20.65	17.10	2.37	19.39	16.58	2.63	18.02	16.00	2.92				
	62	23.92	23.92	1.72	23.04	23.04	1.91	22.08	22.08	2.13	21.10	21.10	2.37	20.03	20.03	2.63	18.83	18.83	2.92				
	57	23.93	23.93	1.72	23.04	23.04	1.91	22.08	22.08	2.13	21.10	21.10	2.37	20.03	20.03	2.63	18.83	18.83	2.92				

COOLING MULTIPLIERS FOR COMBINATION RATINGS: N4A324																	
COOLING INDOOR MODEL				CAPACITY	POWER	FURNACE MODEL			COOLING INDOOR MODEL				CAPACITY	POWER	FURNACE MODEL		
*EA*4X24L14A*				1.00	1.00				EA*4X30L17A*				1.00	0.91	*8MV*0701412**		
EA*4X24L14A*				0.99	0.90	*8MV*0701412**			EHD4X24AAL				1.01	0.92	*8MV*0701412**		
EA*4X24L17A*				0.99	0.90	*8MV*0701412**			EHD4X30AAL				1.01	0.92	*8MV*0701412**		
EA*4X30L14A*				1.00	0.91	*8MV*0701412**			EN(A,D)4X24L14**				0.99	0.92	*8MV*0701412**		

COOLING MULTIPLIERS FOR COMBINATION RATINGS: N4A324							
COOLING INDOOR MODEL	CAPACITY	POWER	FURNACE MODEL	COOLING INDOOR MODEL	CAPACITY	POWER	FURNACE MODEL
EN(A,D)4X30L14**	1.00	0.91	*8MV*0701412**	EHD4X30AAL	1.03	0.92	*9MA*1002122A**
EN(A,D)4X31L17**	1.02	0.92	*8MV*0701412**	EN(A,D)4X36L21**	1.02	0.91	*9MA*1002122A**
ENH4X24L17**	0.99	0.92	*8MV*0701412**	EHD4X24AAL	1.02	0.92	*9MA*1202422A**
ENH4X30L17**	1.00	0.91	*8MV*0701412**	EHD4X30AAL	1.02	0.92	*9MA*1202422A**
EA*4X24L17A*	1.00	0.91	*8MV*0901716**	EA*4X24L14A*	0.99	0.95	*9MV*0401410A**
EA*4X30L17A*	1.01	0.92	*8MV*0901716**	EA*4X24L17A*	0.99	0.95	*9MV*0401410A**
EHD4X24AAL	1.01	0.92	*8MV*0901716**	EA*4X30L14A*	1.00	0.96	*9MV*0401410A**
EHD4X30AAL	1.01	0.92	*8MV*0901716**	EA*4X30L17A*	1.00	0.96	*9MV*0401410A**
EN(A,D)4X24L17**	0.99	0.90	*8MV*0901716**	EHD4X24AAL	1.00	0.96	*9MV*0401410A**
EN(A,D)4X30L17**	1.01	0.90	*8MV*0901716**	EHD4X30AAL	1.01	0.96	*9MV*0401410A**
EN(A,D)4X31L17**	1.02	0.92	*8MV*0901716**	EN(A,D)4X24L14**	0.99	0.96	*9MV*0401410A**
ENH4X24L17**	0.99	0.90	*8MV*0901716**	EN(A,D)4X24L17**	0.99	0.95	*9MV*0401410A**
ENH4X30L17**	1.01	0.90	*8MV*0901716**	EN(A,D)4X30L14**	1.00	0.96	*9MV*0401410A**
ENH4X31L17**	1.02	0.92	*8MV*0901716**	EN(A,D)4X30L17**	1.00	0.96	*9MV*0401410A**
EHD4X24AAL	1.01	0.92	*8MV*1102120**	EN(A,D)4X31L17**	1.03	0.97	*9MV*0401410A**
EHD4X30AAL	1.01	0.92	*8MV*1102120**	ENH4X24L17**	0.99	0.95	*9MV*0401410A**
EHD4X24AAL	1.01	0.92	*8MV*1352422**	ENH4X30L17**	1.00	0.96	*9MV*0401410A**
EHD4X30AAL	1.01	0.92	*8MV*1352422**	ENH4X31L17**	1.03	0.97	*9MV*0401410A**
EA*4X24L14A*	1.00	0.91	*8MX*0451408**	EA*4X24L17A*	0.99	0.94	*9MV*0401712A**
EA*4X24L17A*	1.01	0.92	*8MX*0451408**	EA*4X30L17A*	1.01	0.94	*9MV*0401712A**
EA*4X30L14A*	1.02	0.92	*8MX*0451408**	EHD4X24AAL	1.00	0.95	*9MV*0401712A**
EA*4X30L17A*	1.02	0.92	*8MX*0451408**	EHD4X30AAL	1.01	0.96	*9MV*0401712A**
EHD4X24AAL	1.01	0.92	*8MX*0451408**	EN(A,D)4X24L17**	0.98	0.95	*9MV*0401712A**
EHD4X30AAL	1.02	0.92	*8MX*0451408**	EN(A,D)4X30L17**	1.01	0.94	*9MV*0401712A**
EN(A,D)4X24L14**	1.00	0.93	*8MX*0451408**	EN(A,D)4X31L17**	1.03	0.96	*9MV*0401712A**
EN(A,D)4X30L14**	1.01	0.92	*8MX*0451408**	ENH4X24L17**	0.98	0.95	*9MV*0401712A**
EN(A,D)4X31L17**	1.02	0.92	*8MX*0451408**	ENH4X30L17**	1.01	0.94	*9MV*0401712A**
EN(A,D,W)4X36L17**	1.02	0.91	*8MX*0451408**	ENH4X31L17**	1.03	0.96	*9MV*0401712A**
ENH4X24L17**	1.00	0.93	*8MX*0451408**	EA*4X24L14A*	1.00	0.95	*9MV*0601412A**
ENH4X30L17**	1.02	0.92	*8MX*0451408**	EA*4X24L17A*	1.00	0.95	*9MV*0601412A**
ENH4X31L17**	1.02	0.92	*8MX*0451408**	EA*4X30L14A*	1.01	0.94	*9MV*0601412A**
EA*4X24L17A*	1.00	0.91	*9MA*0601714A**	EA*4X30L17A*	1.01	0.94	*9MV*0601412A**
EA*4X30L17A*	1.01	0.92	*9MA*0601714A**	EHD4X24AAL	1.00	0.95	*9MV*0601412A**
EA*4X36L21A*	1.01	0.92	*9MA*0601714A**	EHD4X30AAL	1.01	0.94	*9MV*0601412A**
EHD4X24AAL	1.01	0.93	*9MA*0601714A**	EN(A,D)4X24L14**	0.99	0.94	*9MV*0601412A**
EHD4X30AAL	1.01	0.92	*9MA*0601714A**	EN(A,D)4X24L17**	0.99	0.94	*9MV*0601412A**
EN(A,D)4X24L17**	0.99	0.92	*9MA*0601714A**	EN(A,D)4X30L14**	1.01	0.96	*9MV*0601412A**
EN(A,D)4X30L17**	1.01	0.92	*9MA*0601714A**	EN(A,D)4X30L17**	1.01	0.94	*9MV*0601412A**
EN(A,D)4X31L17**	1.03	0.93	*9MA*0601714A**	EN(A,D)4X31L17**	1.03	0.93	*9MV*0601412A**
EN(A,D)4X36L21**	1.01	0.92	*9MA*0601714A**	ENH4X24L17**	0.99	0.94	*9MV*0601412A**
ENH4X24L17**	0.99	0.92	*9MA*0601714A**	ENH4X30L17**	1.01	0.94	*9MV*0601412A**
ENH4X30L17**	1.01	0.92	*9MA*0601714A**	ENH4X31L17**	1.03	0.94	*9MV*0601412A**
ENH4X31L17**	1.03	0.93	*9MA*0601714A**	EA*4X24L17A*	1.00	0.91	*9MV*0601714A**
EA*4X36L21A*	1.02	0.92	*9MA*0602120A**	EA*4X30L17A*	1.01	0.92	*9MV*0601714A**
EHD4X24AAL	1.01	0.92	*9MA*0602120A**	EHD4X24AAL	1.00	0.91	*9MV*0601714A**
EHD4X30AAL	1.02	0.92	*9MA*0602120A**	EHD4X30AAL	1.01	0.92	*9MV*0601714A**
EN(A,D)4X36L21**	1.01	0.92	*9MA*0602120A**	EN(A,D)4X24L17**	0.99	0.92	*9MV*0601714A**
EA*4X24L17A*	0.99	0.90	*9MA*0801714A**	EN(A,D)4X30L17**	1.01	0.92	*9MV*0601714A**
EA*4X30L17A*	1.00	0.91	*9MA*0801714A**	EN(A,D)4X31L17**	1.03	0.93	*9MV*0601714A**
EA*4X36L21A*	1.01	0.92	*9MA*0801714A**	ENH4X24L17**	0.99	0.92	*9MV*0601714A**
EHD4X24AAL	1.00	0.91	*9MA*0801714A**	ENH4X30L17**	1.01	0.92	*9MV*0601714A**
EHD4X30AAL	1.01	0.92	*9MA*0801714A**	ENH4X31L17**	1.03	0.93	*9MV*0601714A**
EN(A,D)4X24L17**	0.99	0.91	*9MA*0801714A**	EA*4X24L17A*	1.00	0.91	*9MV*0801716A**
EN(A,D)4X30L17**	1.00	0.91	*9MA*0801714A**	EA*4X30L17A*	1.02	0.92	*9MV*0801716A**
EN(A,D)4X31L17**	1.02	0.89	*9MA*0801714A**	EHD4X24AAL	1.00	0.91	*9MV*0801716A**
EN(A,D)4X36L21**	1.00	0.91	*9MA*0801714A**	EHD4X30AAL	1.02	0.92	*9MV*0801716A**
ENH4X24L17**	0.99	0.91	*9MA*0801714A**	EN(A,D)4X24L17**	0.99	0.90	*9MV*0801716A**
ENH4X30L17**	1.00	0.91	*9MA*0801714A**	EN(A,D)4X30L17**	1.02	0.92	*9MV*0801716A**
ENH4X31L17**	1.02	0.89	*9MA*0801714A**	EN(A,D)4X31L17**	1.03	0.91	*9MV*0801716A**
EA*4X36L21A*	1.03	0.92	*9MA*0802120A**	ENH4X24L17**	0.99	0.90	*9MV*0801716A**
EHD4X24AAL	1.02	0.92	*9MA*0802120A**	ENH4X30L17**	1.02	0.92	*9MV*0801716A**
EHD4X30AAL	1.03	0.92	*9MA*0802120A**	ENH4X31L17**	1.03	0.90	*9MV*0801716A**
EN(A,D)4X36L21**	1.02	0.92	*9MA*0802120A**	EA*4X36L21A*	1.03	0.92	*9MV*0802120A**
EA*4X36L21A*	1.03	0.92	*9MA*1002122A**	EHD4X24AAL	0.99	0.90	*9MV*0802120A**
EHD4X24AAL	1.02	0.92	*9MA*1002122A**	EHD4X30AAL	1.02	0.92	*9MV*0802120A**

COOLING MULTIPLIERS FOR COMBINATION RATINGS: N4A324

COOLING INDOOR MODEL	CAPACITY	POWER	FURNACE MODEL	COOLING INDOOR MODEL	CAPACITY	POWER	FURNACE MODEL
EN(A,D)4X36L21**	1.02	0.92	*9MV*0802120A**	EN(A,D)4X30L14**	1.01	0.92	MV08**14C*
EA*4X36L21A*	1.04	0.93	*9MV*1002120A**	EN(A,D)4X30L17**	1.01	0.90	MV08**14C*
EHD4X24AAL	1.00	0.91	*9MV*1002120A**	EN(A,D)4X31L17**	1.03	0.92	MV08**14C*
EHD4X30AAL	1.02	0.91	*9MV*1002120A**	EN(A,D,W)4X36L17**	1.01	0.90	MV08**14C*
EN(A,D)4X36L21**	1.03	0.92	*9MV*1002120A**	ENH4X24L17**	1.00	0.91	MV08**14C*
EHD4X24AAL	1.00	0.91	*9MV*1202422A**	ENH4X30L17**	1.01	0.90	MV08**14C*
EHD4X30AAL	1.02	0.92	*9MV*1202422A**	ENH4X31L17**	1.03	0.92	MV08**14C*
EA*4X24L14A*	1.00	0.99	*9MX*0401410A**	ENH4X36L17**	1.01	0.90	MV08**14C*
EA*4X24L17A*	1.00	0.99	*9MX*0401410A**	EA*4X24L17A*	1.00	0.91	MV12**17C*
EA*4X30L14A*	1.01	0.98	*9MX*0401410A**	EA*4X30L17A*	1.02	0.91	MV12**17C*
EA*4X30L17A*	1.02	0.99	*9MX*0401410A**	EA*4X36L17A*	1.02	0.91	MV12**17C*
EHD4X24AAL	1.01	0.98	*9MX*0401410A**	EA*4X36L21A*	1.02	0.91	MV12**17C*
EHD4X30AAL	1.02	0.99	*9MX*0401410A**	EHD4X24AAL	1.02	0.92	MV12**17C*
EN(A,D)4X24L14**	1.00	0.99	*9MX*0401410A**	EHD4X30AAL	1.02	0.91	MV12**17C*
EN(A,D)4X24L17**	1.00	0.99	*9MX*0401410A**	EN(A,D)4X24L17**	1.00	0.91	MV12**17C*
EN(A,D)4X30L14**	1.01	0.98	*9MX*0401410A**	EN(A,D)4X30L17**	1.02	0.91	MV12**17C*
EN(A,D)4X30L17**	1.02	0.99	*9MX*0401410A**	EN(A,D)4X31L17**	1.03	0.90	MV12**17C*
EN(A,D)4X31L17**	1.03	0.99	*9MX*0401410A**	EN(A,D)4X36L21**	1.02	0.91	MV12**17C*
ENH4X24L17**	1.00	0.99	*9MX*0401410A**	EN(A,D,W)4X36L17**	1.02	0.91	MV12**17C*
ENH4X30L17**	1.02	0.99	*9MX*0401410A**	ENH4X24L17**	1.00	0.91	MV12**17C*
ENH4X31L17**	1.03	0.99	*9MX*0401410A**	ENH4X30L17**	1.02	0.91	MV12**17C*
EA*4X24L17A*	0.99	0.94	*9MX*0401712A**	ENH4X31L17**	1.03	0.90	MV12**17C*
EA*4X30L17A*	1.00	0.93	*9MX*0401712A**	ENH4X36L17**	1.02	0.91	MV12**17C*
EHD4X24AAL	0.99	0.94	*9MX*0401712A**	EA*4X24L17A*	0.99	0.94	NOMV106D12*
EHD4X30AAL	1.00	0.93	*9MX*0401712A**	EA*4X30L17A*	1.00	0.95	NOMV106D12*
EN(A,D)4X24L17**	0.98	0.93	*9MX*0401712A**	EHD4X24AAL	1.00	0.95	NOMV106D12*
EN(A,D)4X30L17**	1.00	0.93	*9MX*0401712A**	EHD4X30AAL	1.01	0.96	NOMV106D12*
EN(A,D)4X31L17**	1.02	0.92	*9MX*0401712A**	EN(A,D)4X24L17**	0.99	0.94	NOMV106D12*
ENH4X24L17**	0.98	0.93	*9MX*0401712A**	EN(A,D)4X30L17**	1.01	0.96	NOMV106D12*
ENH4X30L17**	1.00	0.93	*9MX*0401712A**	EN(A,D)4X31L17**	1.03	0.93	NOMV106D12*
ENH4X31L17**	1.02	0.92	*9MX*0401712A**	ENH4X24L17**	0.99	0.94	NOMV106D12*
EA*4X24L14A*	0.99	0.94	*9MX*0601412A**	ENH4X30L17**	1.01	0.96	NOMV106D12*
EA*4X24L17A*	1.00	0.95	*9MX*0601412A**	ENH4X31L17**	1.03	0.93	NOMV106D12*
EA*4X30L14A*	1.01	0.94	*9MX*0601412A**	EA*4X24L17A*	1.01	0.96	OLV098A12*
EA*4X30L17A*	1.01	0.94	*9MX*0601412A**	EA*4X30L17A*	1.02	0.96	OLV098A12*
EHD4X24AAL	1.00	0.95	*9MX*0601412A**	EN(A,D)4X24L17**	1.00	0.95	OLV098A12*
EHD4X30AAL	1.01	0.94	*9MX*0601412A**	EN(A,D)4X30L17**	1.02	0.96	OLV098A12*
EN(A,D)4X24L14**	0.99	0.94	*9MX*0601412A**	EN(A,D)4X31L17**	1.03	0.94	OLV098A12*
EN(A,D)4X24L17**	0.99	0.94	*9MX*0601412A**	EA*4X24L17A*	1.01	0.96	OMV098J12*
EN(A,D)4X30L14**	1.01	0.96	*9MX*0601412A**	EA*4X30L17A*	1.02	0.96	OMV098J12*
EN(A,D)4X30L17**	1.01	0.94	*9MX*0601412A**	EHD4X24AAL	1.02	0.96	OMV098J12*
EN(A,D)4X31L17**	1.03	0.93	*9MX*0601412A**	EHD4X30AAL	1.02	0.96	OMV098J12*
ENH4X24L17**	0.99	0.94	*9MX*0601412A**	EN(A,D)4X24L17**	1.00	0.99	OMV098J12*
ENH4X30L17**	1.01	0.94	*9MX*0601412A**	EN(A,D)4X30L17**	1.02	0.96	OMV098J12*
ENH4X31L17**	1.03	0.93	*9MX*0601412A**	EN(A,D)4X31L17**	1.03	0.98	OMV098J12*
EA*4X24L17A*	1.00	0.91	*9MX*0601714A**	ENH4X24L17**	1.00	0.99	OMV098J12*
EA*4X30L17A*	1.01	0.92	*9MX*0601714A**	ENH4X30L17**	1.02	0.96	OMV098J12*
EHD4X24AAL	1.00	0.91	*9MX*0601714A**	ENH4X31L17**	1.03	0.98	OMV098J12*
EHD4X30AAL	1.01	0.92	*9MX*0601714A**	EA*4X24L17A*	1.00	0.95	OMV112K14A
EN(A,D)4X24L17**	0.99	0.91	*9MX*0601714A**	EA*4X30L17A*	1.01	0.96	OMV112K14A
EN(A,D)4X30L17**	1.01	0.92	*9MX*0601714A**	EHD4X24AAL	1.01	0.92	OMV112K14A
EN(A,D)4X31L17**	1.03	0.91	*9MX*0601714A**	EHD4X30AAL	1.02	0.91	OMV112K14A
ENH4X24L17**	0.99	0.91	*9MX*0601714A**	EN(A,D)4X24L17**	1.00	0.93	OMV112K14A
ENH4X30L17**	1.01	0.92	*9MX*0601714A**	EN(A,D)4X30L17**	1.01	0.90	OMV112K14A
ENH4X31L17**	1.03	0.91	*9MX*0601714A**	EN(A,D)4X31L17**	1.03	0.92	OMV112K14A
EA*4X24L14A*	1.00	0.91	MV08**14C*	ENH4X24L17**	1.00	0.91	OMV112K14A
EA*4X24L17A*	1.00	0.91	MV08**14C*	ENH4X30L17**	1.01	0.90	OMV112K14A
EA*4X30L14A*	1.01	0.92	MV08**14C*	ENH4X31L17**	1.03	0.92	OMV112K14A
EA*4X30L17A*	1.01	0.90	MV08**14C*	EA*4X24L17A*	1.00	1.00	
EA*4X36L14A*	1.01	0.90	MV08**14C*	EA*4X30L14A*	1.01	1.00	
EA*4X36L17A*	1.01	0.90	MV08**14C*	EA*4X30L17A*	1.01	1.00	
EHD4X24AAL	1.01	0.92	MV08**14C*	EA*4X36L17A*	1.01	1.00	
EHD4X30AAL	1.01	0.90	MV08**14C*	EA*4X36L21A*	1.02	1.01	
EN(A,D)4X24L14**	1.00	0.91	MV08**14C*	EHD4X24AAL	1.00	0.99	
EN(A,D)4X24L17**	1.00	0.91	MV08**14C*	EHD4X30AAL	1.00	0.99	

COOLING MULTIPLIERS FOR COMBINATION RATINGS: N4A324													
COOLING INDOOR MODEL				CAPACITY	POWER	FURNACE MODEL	COOLING INDOOR MODEL				CAPACITY	POWER	FURNACE MODEL
EMA4X24DAL				1.00	1.00		FEM4P24**A*				0.99	0.98	
EN(A,D)4X24L14**				1.00	1.00		FEM4P30**A*				1.03	0.93	
EN(A,D)4X24L17**				1.00	1.00		FEM4X24**A*				1.01	0.96	
EN(A,D)4X30L14**				1.01	1.00		FEM4X24**B*				1.00	0.99	
EN(A,D)4X30L17**				1.01	1.00		FEM4X30**A*				1.03	0.97	
EN(A,D)4X31L17**				1.02	1.01		FEM4X30**B*				1.02	0.96	
EN(A,D)4X36L21**				1.01	1.00		FMA4P24**A*				1.01	1.00	
EN(A,D,W)4X36L17**				1.01	1.00		FMA4P30**A*				1.03	1.04	
ENH4X24L17**				1.00	1.00		FS(M,U)4P24**A*				1.02	0.96	
ENH4X30L17**				1.01	1.00		FS(M,U)4P30**A*				1.03	1.02	
ENH4X31L17**				1.02	1.01		FVM4X24****				0.98	0.89	
FCM4X24****				1.02	0.96		FVM4X36****				1.00	0.89	
FCM4X36****				1.02	0.92		FXM4X24**A*				1.01	0.92	
FEA4X24**A*				1.01	0.94		FXM4X30**A*				1.02	0.96	
FEA4X30**A*				1.02	0.95		FXM4X36**A*				1.03	0.93	
FEA4X36**A*				1.03	0.97								

* Tested Combination

N4A330																									
EVAPORATOR AIR		CONDENSER ENTERING AIR TEMPERATURES deg F																							
		75				85				95				105				115				125			
CFM	EWB	Capacity MBtuh		Total System KW	Capacity MBtuh		Total System KW	Capacity MBtuh		Total System KW	Capacity MBtuh		Total System KW	Capacity MBtuh		Total System KW	Capacity MBtuh		Total System KW						
		Total	Sens		Total	Sens		Total	Sens		Total	Sens		Total	Sens		Total	Sens							
N4A330A(G)KC* Outdoor Section With ED*4X30B** Indoor Section																									
875	72	32.02	16.33	2.03	30.68	15.86	2.24	29.25	15.36	2.47	27.76	14.85	2.72	26.11	14.28	3.00	24.24	13.65	3.29						
	67	29.54	20.42	2.02	28.28	19.93	2.23	26.92	19.41	2.46	25.50	18.87	2.72	23.94	18.28	2.99	22.21	17.63	3.29						
	63	27.75	19.85	2.02	26.53	19.34	2.23	25.22	18.80	2.46	23.85	18.24	2.71	22.35	17.62	2.99	20.71	16.96	3.29						
	62	27.35	24.48	2.02	26.19	23.94	2.23	24.96	24.73	2.46	23.81	23.81	2.71	22.57	22.57	2.99	21.21	21.21	3.28						
	57	26.98	26.98	2.02	25.99	25.99	2.23	24.93	24.93	2.46	23.81	23.81	2.71	22.58	22.58	2.99	21.21	21.21	3.28						
1000	72	32.38	17.12	2.08	30.97	16.63	2.29	29.51	16.14	2.52	27.98	15.62	2.78	26.29	15.05	3.05	24.37	14.42	3.35						
	67	29.89	21.72	2.08	28.59	21.23	2.29	27.20	20.70	2.52	25.75	20.16	2.77	24.16	19.56	3.05	22.39	18.89	3.34						
	63	28.12	21.08	2.08	26.86	20.57	2.29	25.52	20.02	2.52	24.11	19.45	2.77	22.58	18.82	3.05	20.90	18.14	3.34						
	62	27.91	27.74	2.08	26.85	26.85	2.29	25.73	25.73	2.52	24.55	24.55	2.77	23.26	23.26	3.04	21.81	21.81	3.34						
	57	27.89	27.89	2.08	26.85	26.85	2.29	25.73	25.73	2.52	24.56	24.56	2.77	23.26	23.26	3.04	21.81	21.81	3.34						
1125	72	32.60	17.86	2.14	31.16	17.37	2.35	29.67	16.87	2.58	28.11	16.35	2.83	26.38	15.78	3.11	24.43	15.14	3.40						
	67	30.13	22.97	2.14	28.80	22.47	2.34	27.39	21.94	2.57	25.92	21.38	2.83	24.30	20.77	3.10	22.52	20.07	3.40						
	63	28.36	22.24	2.13	27.09	21.72	2.34	25.72	21.17	2.57	24.30	20.59	2.83	22.74	19.94	3.10	21.06	19.21	3.40						
	62	28.60	28.60	2.13	27.52	27.52	2.34	26.35	26.35	2.57	25.13	25.13	2.83	23.78	23.78	3.10	22.26	22.26	3.40						
	57	28.60	28.60	2.13	27.52	27.52	2.34	26.35	26.35	2.57	25.13	25.13	2.83	23.78	23.78	3.10	22.26	22.26	3.40						

COOLING MULTIPLIERS FOR COMBINATION RATINGS: N4A330													
COOLING INDOOR MODEL				CAPACITY	POWER	FURNACE MODEL	COOLING INDOOR MODEL				CAPACITY	POWER	FURNACE MODEL
*ED*4X30B**				1.00	1.00		EHD4X36A**				1.03	0.97	*8MX*0701716**
FEA4X30**A*				1.01	0.94		EN(A,D)4X30*17**				1.01	0.95	*8MX*0701716**
FEA4X36**A*				1.02	0.96		EN(A,D)4X31*17**				1.02	0.96	*8MX*0701716**
FEM4P30**A*				1.01	0.99		EN(A,D)4X37*17**				1.02	0.92	*8MX*0701716**
FEM4P30**A*				1.01	0.95		EN(A,D,W)4X36*17**				1.01	0.95	*8MX*0701716**
FEM4P36**A*				1.01	0.99		ENH4X30*17**				1.01	0.95	*8MX*0701716**
FEM4P36**A*				1.01	0.95		ENH4X31*17**				1.02	0.96	*8MX*0701716**
FS(M,U)4P30**A*				1.01	1.00		ENH4X36*17**				1.01	0.95	*8MX*0701716**
FS(M,U)4P30**A*				1.01	1.00		EA*4X36*21A*				1.02	0.92	*8MX*0902116**
FS(M,U)4P36**A*				1.01	1.00		EHD4X30A**				1.01	0.95	*8MX*0902116**
FS(M,U)4P36**A*				1.01	1.00		EHD4X36A**				1.04	0.93	*8MX*0902116**
FSA4X30**A*				0.99	1.00		EN(A,D)4X36*21**				1.01	0.94	*8MX*0902116**
FSA4X36**A*				1.00	1.00		EN(A,D,W)4X48*21**				1.04	0.92	*8MX*0902116**
FVM4X24****				0.99	0.91		ENH4X30*17**				1.01	0.94	*8MX*0902116**
FVM4X36****				1.00	0.89		ENH4X31*17**				1.02	0.92	*8MX*0902116**
FVM4X48****				1.00	0.89		ENH4X36*17**				1.01	0.94	*8MX*0902116**
FXM4X30**A*				1.02	0.96		EA*4X30*14A*				1.00	0.94	*8MV*0701412**
FXM4X36**A*				1.03	0.93		EA*4X30*17A*				1.01	0.95	*8MV*0701412**
FXM4X42**A*				1.04	1.02		EA*4X36*14A*				1.01	0.95	*8MV*0701412**
EA*4X30*17A*				1.01	0.95	*8MX*0701716**	EA*4X42*21A*				1.02	0.94	*9MV*1002120A**
EA*4X36*17A*				1.01	0.95	*8MX*0701716**	EA*4X36*17A*				1.01	0.95	*8MV*0701412**
EA*4X36*21A*				1.02	0.96	*8MX*0701716**	EHD4X30A**				1.01	0.95	*8MV*0701412**
EHD4X30A**				1.01	0.95	*8MX*0701716**	EHD4X36A**				1.02	0.92	*8MV*0701412**

COOLING MULTIPLIERS FOR COMBINATION RATINGS: N4A330 (continued)

COOLING INDOOR MODEL	CAPACITY	POWER	FURNACE MODEL	COOLING INDOOR MODEL	CAPACITY	POWER	FURNACE MODEL
EN(A,D)4X30*14**	1.00	0.92	*8MV*0701412**	EN(A,D)4X37*17**	1.05	0.95	*9MX*0801716A**
EN(A,D)4X31*17**	1.02	0.92	*8MV*0701412**	EN(A,D,W)4X36*17**	1.01	0.95	*9MX*0801716A**
EN(A,D)4X37*17**	1.02	0.92	*8MV*0701412**	ENH4X30*17**	1.01	0.95	*9MX*0801716A**
ENH4X30*17**	1.00	0.92	*8MV*0701412**	ENH4X31*17**	1.04	0.96	*9MX*0801716A**
ENH4X31*17**	1.02	0.92	*8MV*0701412**	ENH4X36*17**	1.01	0.95	*9MX*0801716A**
ENH4X36*17**	1.01	0.93	*8MV*0701412**	EA*4X30*17A*	1.01	0.95	*9MV*0601714A**
EA*4X30*17A*	1.01	0.91	*8MV*0901716**	EA*4X36*17A*	1.01	0.93	*9MV*0601714A**
EA*4X36*17A*	1.01	0.91	*8MV*0901716**	EA*4X36*21A*	1.01	0.93	*9MV*0601714A**
EA*4X36*21A*	1.01	0.91	*8MV*0901716**	EHD4X30A**	1.01	0.95	*9MV*0601714A**
EHD4X30A**	1.01	0.93	*8MV*0901716**	EHD4X36A**	1.02	0.94	*9MV*0601714A**
EHD4X36A**	1.03	0.93	*8MV*0901716**	EN(A,D)4X30*17**	1.01	0.95	*9MV*0601714A**
EN(A,D)4X30*17**	1.01	0.93	*8MV*0901716**	EN(A,D)4X31*17**	1.03	0.94	*9MV*0601714A**
EN(A,D)4X31*17**	1.02	0.92	*8MV*0901716**	EN(A,D)4X36*21**	1.01	0.95	*9MV*0601714A**
EN(A,D)4X37*17**	1.02	0.92	*8MV*0901716**	EN(A,D)4X37*17**	1.04	0.93	*9MV*0601714A**
EN(A,D,W)4X36*17**	1.01	0.93	*8MV*0901716**	EN(A,D,W)4X36*17**	1.01	0.95	*9MV*0601714A**
END4X42*17**	1.02	0.90	*8MV*0901716**	ENH4X30*17**	1.01	0.95	*9MV*0601714A**
ENH4X30*17**	1.01	0.93	*8MV*0901716**	ENH4X31*17**	1.03	0.94	*9MV*0601714A**
ENH4X31*17**	1.02	0.92	*8MV*0901716**	ENH4X36*17**	1.01	0.95	*9MV*0601714A**
ENH4X36*17**	1.01	0.93	*8MV*0901716**	EA*4X30*17A*	1.01	0.92	*9MV*0801716A**
EA*4X36*21A*	1.01	0.91	*8MV*1102120**	EA*4X36*17A*	1.01	0.93	*9MV*0801716A**
EHD4X30A**	1.01	0.94	*8MV*1102120**	EA*4X36*21A*	1.01	0.93	*9MV*0801716A**
EHD4X36A**	1.03	0.93	*8MV*1102120**	EHD4X30A**	1.01	0.92	*9MV*0801716A**
EN(A,D)4X36*21**	1.01	0.93	*8MV*1102120**	EHD4X36A**	1.03	0.93	*9MV*0801716A**
ENH4X30*17**	1.01	0.93	*8MV*1102120**	EN(A,D)4X30*17**	1.01	0.92	*9MV*0801716A**
ENH4X31*17**	1.02	0.92	*8MV*1102120**	EN(A,D)4X31*17**	1.03	0.93	*9MV*0801716A**
ENH4X36*17**	1.01	0.93	*8MV*1102120**	EN(A,D)4X36*21**	1.01	0.92	*9MV*0801716A**
EHD4X30A**	1.01	0.94	*8MV*1352422**	EN(A,D)4X37*17**	1.04	0.94	*9MV*0801716A**
EHD4X36A**	1.03	0.93	*8MV*1352422**	EN(A,D,W)4X36*17**	1.01	0.92	*9MV*0801716A**
ENH4X30*17**	1.01	0.91	*8MV*1352422**	ENH4X30*17**	1.01	0.92	*9MV*0801716A**
ENH4X31*17**	1.02	0.92	*8MV*1352422**	ENH4X31*17**	1.03	0.93	*9MV*0801716A**
ENH4X36*17**	1.01	0.91	*8MV*1352422**	ENH4X36*17**	1.01	0.92	*9MV*0801716A**
EA*4X30*14A*	0.99	1.05	*9MX*0401410A**	EA*4X36*21A*	1.02	0.92	*9MV*0802120A**
EA*4X30*17A*	1.00	1.05	*9MX*0401410A**	EA*4X42*21A*	1.02	0.94	*9MV*0802120A**
EA*4X36*14A*	1.00	1.05	*9MX*0401410A**	EHD4X30A**	1.01	0.93	*9MV*0802120A**
EA*4X36*17A*	1.00	1.05	*9MX*0401410A**	EHD4X36A**	1.03	0.93	*9MV*0802120A**
EHD4X30A**	1.00	1.04	*9MX*0401410A**	EN(A,D)4X36*21**	1.01	0.93	*9MV*0802120A**
EHD4X36A**	1.02	1.06	*9MX*0401410A**	EN(A,D,W)4X42*21**	1.02	0.92	*9MV*0802120A**
EN(A,D)4X30*14**	0.99	1.04	*9MX*0401410A**	EA*4X36*21A*	1.01	0.91	*9MV*1002120A**
EN(A,D)4X30*17**	1.00	1.05	*9MX*0401410A**	EHD4X30A**	1.00	0.92	*9MV*1002120A**
EN(A,D)4X31*17**	1.02	1.05	*9MX*0401410A**	EHD4X36A**	1.02	0.92	*9MV*1002120A**
EN(A,D)4X37*17**	1.03	1.05	*9MX*0401410A**	EN(A,D)4X36*21**	1.00	0.90	*9MV*1002120A**
EN(A,D,W)4X36*17**	1.00	1.05	*9MX*0401410A**	EN(A,D,W)4X42*21**	1.01	0.91	*9MV*1002120A**
ENH4X30*17**	1.00	1.05	*9MX*0401410A**	EHD4X30A**	1.01	0.93	*9MV*1202422A**
ENH4X31*17**	1.02	1.06	*9MX*0401410A**	EHD4X36A**	1.03	0.93	*9MV*1202422A**
ENH4X36*17**	1.00	1.05	*9MX*0401410A**	ENH4X30*17**	1.01	0.92	*9MV*1202422A**
EA*4X30*17A*	1.01	0.95	*9MX*0601714A**	ENH4X31*17**	1.04	0.93	*9MV*1202422A**
EA*4X36*17A*	1.01	0.95	*9MX*0601714A**	ENH4X36*17**	1.01	0.92	*9MV*1202422A**
EA*4X36*21A*	1.01	0.94	*9MX*0601714A**	EA*4X30*17A*	1.00	0.94	*9MA*0601714A**
EHD4X30A**	1.01	0.95	*9MX*0601714A**	EA*4X36*17A*	1.01	0.95	*9MA*0601714A**
EHD4X36A**	1.03	0.94	*9MX*0601714A**	EA*4X36*21A*	1.01	0.92	*9MA*0601714A**
EN(A,D)4X30*17**	1.01	0.95	*9MX*0601714A**	EHD4X30A**	1.01	0.95	*9MA*0601714A**
EN(A,D)4X31*17**	1.04	0.95	*9MX*0601714A**	EHD4X36A**	1.02	0.94	*9MA*0601714A**
EN(A,D)4X36*21**	1.01	0.95	*9MX*0601714A**	EN(A,D)4X30*17**	1.01	0.95	*9MA*0601714A**
EN(A,D)4X37*17**	1.04	0.94	*9MX*0601714A**	EN(A,D)4X31*17**	1.02	0.94	*9MA*0601714A**
EN(A,D,W)4X36*17**	1.01	0.95	*9MX*0601714A**	EN(A,D)4X36*21**	1.01	0.95	*9MA*0601714A**
ENH4X30*17**	1.01	0.95	*9MX*0601714A**	EN(A,D)4X37*17**	1.04	0.93	*9MA*0601714A**
ENH4X31*17**	1.04	0.95	*9MX*0601714A**	EN(A,D,W)4X36*17**	1.01	0.95	*9MA*0601714A**
ENH4X36*17**	1.01	0.95	*9MX*0601714A**	ENH4X30*17**	1.01	0.95	*9MA*0601714A**
EA*4X30*17A*	1.01	0.95	*9MX*0801716A**	ENH4X31*17**	1.02	0.94	*9MA*0601714A**
EA*4X36*17A*	1.02	0.94	*9MX*0801716A**	ENH4X36*17**	1.01	0.95	*9MA*0601714A**
EA*4X36*21A*	1.02	0.94	*9MX*0801716A**	EA*4X30*17A*	1.01	0.92	*9MA*0801714A**
EHD4X30A**	1.02	0.96	*9MX*0801716A**	EA*4X36*17A*	1.01	0.93	*9MA*0801714A**
EHD4X36A**	1.04	0.95	*9MX*0801716A**	EA*4X36*21A*	1.01	0.93	*9MA*0801714A**
EN(A,D)4X30*17**	1.01	0.95	*9MX*0801716A**	EHD4X30A**	1.01	0.94	*9MA*0801714A**
EN(A,D)4X31*17**	1.04	0.96	*9MX*0801716A**				

COOLING MULTIPLIERS FOR COMBINATION RATINGS: N4A330 (continued)

COOLING INDOOR MODEL	CAPACITY	POWER	FURNACE MODEL	COOLING INDOOR MODEL	CAPACITY	POWER	FURNACE MODEL
EHD4X36A**	1.03	0.93	*9MA*0801714A**	EN(A,D)4X36*21**	1.01	0.94	OMV112K14A
EN(A,D)4X30*17**	1.01	0.93	*9MA*0801714A**	EN(A,D)4X37*17**	1.04	0.94	OMV112K14A
EN(A,D)4X31*17**	1.03	0.93	*9MA*0801714A**	EN(A,D,W)4X36*17**	1.01	0.94	OMV112K14A
EN(A,D)4X36*21**	1.01	0.93	*9MA*0801714A**	ENH4X30*17**	1.01	0.94	OMV112K14A
EN(A,D)4X37*17**	1.04	0.94	*9MA*0801714A**	ENH4X31*17**	1.04	0.93	OMV112K14A
EN(A,D,W)4X36*17**	1.01	0.93	*9MA*0801714A**	ENH4X36*17**	1.01	0.94	OMV112K14A
ENH4X30*17**	1.01	0.93	*9MA*0801714A**	EA*4X30*14A*	1.01	1.01	
ENH4X31*17**	1.03	0.93	*9MA*0801714A**	EA*4X30*14A*	1.00	0.92	MV08**14C*
ENH4X36*17**	1.01	0.93	*9MA*0801714A**	EA*4X30*17A*	1.01	1.01	
EA*4X36*21A*	1.01	0.91	*9MA*0802120A**	EA*4X30*17A*	1.01	0.93	MV08**14C*
EA*4X42*21A*	1.02	0.92	*9MA*0802120A**	EA*4X30*17A*	1.01	0.94	MV12**17C*
EHD4X30A**	1.01	0.94	*9MA*0802120A**	EA*4X36*14A*	1.01	1.01	
EHD4X36A**	1.03	0.93	*9MA*0802120A**	EA*4X36*14A*	1.01	0.93	MV08**14C*
EN(A,D)4X36*21**	1.01	0.94	*9MA*0802120A**	EA*4X36*17A*	1.01	1.01	
EN(A,D,W)4X42*21**	1.02	0.92	*9MA*0802120A**	EA*4X36*17A*	1.01	0.93	MV08**14C*
EA*4X36*21A*	1.02	0.92	*9MA*1002122A**	EA*4X36*17A*	1.01	0.94	MV12**17C*
EA*4X42*21A*	1.03	0.93	*9MA*1002122A**	EA*4X36*21A*	1.01	1.01	
EHD4X30A**	1.02	0.94	*9MA*1002122A**	EA*4X36*21A*	1.01	0.91	MV12**17C*
EHD4X36A**	1.04	0.93	*9MA*1002122A**	EA*4X42*21A*	1.01	1.01	
EN(A,D)4X36*21**	1.01	0.91	*9MA*1002122A**	EA*4X42*21A*	1.02	0.92	MV12**17C*
EN(A,D,W)4X42*21**	1.03	0.93	*9MA*1002122A**	EA*4X42*24A*	1.01	1.01	
EHD4X30A**	1.01	0.93	*9MA*1202422A**	EHD4X30A**	1.00	1.00	
EHD4X36A**	1.03	0.93	*9MA*1202422A**	EHD4X30A**	1.01	0.93	MV08**14C*
ENH4X30*17**	1.01	0.93	*9MA*1202422A**	EHD4X30A**	1.01	0.94	MV12**17C*
ENH4X31*17**	1.04	0.93	*9MA*1202422A**	EHD4X36A**	1.00	1.00	
ENH4X36*17**	1.01	0.93	*9MA*1202422A**	EHD4X36A**	1.02	0.92	MV08**14C*
EA*4X36*21A*	1.01	0.93	*9MA*0602120A**	EHD4X36A**	1.03	0.93	MV12**17C*
EA*4X42*21A*	1.02	0.94	*9MA*0602120A**	EHD4X42A**	1.03	0.93	MV08**14C*
EHD4X30A**	1.01	0.95	*9MA*0602120A**	EHD4X42A**	1.04	0.93	MV12**17C*
EHD4X36A**	1.03	0.94	*9MA*0602120A**	EMA4X36D**	1.00	1.00	
EN(A,D)4X36*21**	1.01	0.93	*9MA*0602120A**	EN(A,D)4X30*14**	1.01	1.01	
EN(A,D,W)4X42*21**	1.02	0.96	*9MA*0602120A**	EN(A,D)4X30*14**	1.00	0.92	MV08**14C*
EHD4X30A**	1.01	0.99	OLV098A12A	EN(A,D)4X30*17**	1.01	1.00	
EHD4X36A**	1.03	0.95	OLV098A12A	EN(A,D)4X30*17**	1.01	0.93	MV08**14C*
EN(A,D)4X30*17**	1.01	0.95	OLV098A12A	EN(A,D)4X30*17**	1.01	0.94	MV12**17C*
EN(A,D)4X31*17**	1.03	0.95	OLV098A12A	EN(A,D)4X31*17**	1.02	1.00	
EN(A,D)4X36*21**	1.01	0.95	OLV098A12A	EN(A,D)4X31*17**	1.03	0.93	MV08**14C*
EN(A,D)4X37*17**	1.04	0.96	OLV098A12A	EN(A,D)4X31*17**	1.04	0.93	MV12**17C*
EN(A,D,W)4X36*17**	1.01	0.95	OLV098A12A	EN(A,D)4X36*21**	1.01	1.01	
ENH4X30*17**	1.01	0.95	OLV098A12A	EN(A,D)4X36*21**	1.01	0.94	MV12**17C*
ENH4X31*17**	1.03	0.95	OLV098A12A	EN(A,D)4X37*17**	1.03	1.01	
ENH4X36*17**	1.01	0.95	OLV098A12A	EN(A,D)4X37*17**	1.04	0.92	MV08**14C*
EHD4X30A**	1.02	0.96	OLV112A16A	EN(A,D)4X37*17**	1.04	0.92	MV12**17C*
EHD4X36A**	1.04	0.96	OLV112A16A	EN(A,D,W)4X36*17**	1.01	1.01	
EN(A,D)4X36*21**	1.01	0.95	OLV112A16A	EN(A,D,W)4X36*17**	1.01	0.93	MV08**14C*
ENH4X30*17**	1.01	0.95	OLV112A16A	EN(A,D,W)4X36*17**	1.01	0.94	MV12**17C*
ENH4X31*17**	1.04	0.93	OLV112A16A	EN(A,D,W)4X42*21**	1.01	1.01	
ENH4X36*17**	1.01	0.95	OLV112A16A	EN(A,D,W)4X42*21**	1.02	0.94	MV12**17C*
EHD4X30A**	1.01	1.00	OMV098J12A	END4X42*17**	1.01	1.00	
EHD4X36A**	1.03	0.97	OMV098J12A	END4X42*17**	1.02	0.92	MV08**14C*
EN(A,D)4X30*17**	1.01	0.99	OMV098J12A	END4X42*17**	1.03	0.93	MV12**17C*
EN(A,D)4X31*17**	1.03	0.97	OMV098J12A	ENH4X30*17**	1.01	1.00	
EN(A,D)4X36*21**	1.01	0.99	OMV098J12A	ENH4X30*17**	1.01	0.93	MV08**14C*
EN(A,D)4X37*17**	1.04	0.96	OMV098J12A	ENH4X30*17**	1.01	0.94	MV12**17C*
EN(A,D,W)4X36*17**	1.01	0.99	OMV098J12A	ENH4X31*17**	1.02	1.00	
ENH4X30*17**	1.01	0.99	OMV098J12A	ENH4X31*17**	1.03	0.93	MV08**14C*
ENH4X31*17**	1.03	0.97	OMV098J12A	ENH4X31*17**	1.04	0.93	MV12**17C*
ENH4X36*17**	1.01	0.99	OMV098J12A	ENH4X36*17**	1.01	1.01	
EHD4X30A**	1.01	0.95	OMV112K14A	ENH4X36*17**	1.01	0.93	MV08**14C*
EHD4X36A**	1.03	0.93	OMV112K14A	ENH4X36*17**	1.01	0.94	MV12**17C*
EN(A,D)4X30*17**	1.01	0.94	OMV112K14A	ENH4X42*21**	1.01	1.00	
EN(A,D)4X31*17**	1.04	0.93	OMV112K14A	ENH4X42*21**	1.02	0.94	MV12**17C*
EN(A,D)4X36*21**	1.02	0.96	*9MX*0801716A**	ENH4X43*21**	1.04	0.92	MV12**17C*

* Tested Combination

N4A336A(G)KB3 Outdoor Section With EA*4X36*17A* Indoor Section																							
EVAPORATOR AIR		CONDENSER ENTERING AIR TEMPERATURES deg F																					
		75				85				95				105				115				125	
CFM	EWB	Capacity MBtuh		Total System KW	Capacity MBtuh		Total System KW	Capacity MBtuh		Total System KW	Capacity MBtuh		Total System KW	Capacity MBtuh		Total System KW	Capacity MBtuh		Total System KW				
		Total	Sens		Total	Sens		Total	Sens		Total	Sens		Total	Sens		Total	Sens		Total	Sens		
1050	72	40.22	21.00	2.47	38.50	20.34	2.71	36.66	19.65	2.98	34.69	18.93	3.30	32.56	18.15	3.66	30.22	17.30	4.08				
	67	36.61	25.73	2.44	35.00	25.05	2.69	33.29	24.35	2.96	31.46	23.60	3.27	29.49	22.81	3.64	27.34	21.95	4.07				
	63	34.02	24.88	2.43	32.50	24.20	2.67	30.89	23.49	2.94	29.17	22.73	3.26	27.32	21.94	3.63	25.29	21.07	4.07				
	62	33.42	30.44	2.42	31.97	29.75	2.67	30.45	29.01	2.94	28.86	28.20	3.26	27.29	27.29	3.63	25.64	25.64	4.07				
	57	32.55	32.55	2.42	31.38	31.38	2.66	30.12	30.12	2.94	28.77	28.77	3.26	27.29	27.29	3.63	25.65	25.65	4.07				
1200	72	40.90	21.97	2.53	39.11	21.31	2.77	37.20	20.61	3.04	35.17	19.88	3.36	32.96	19.09	3.72	30.54	18.23	4.14				
	67	37.25	27.30	2.50	35.57	26.61	2.74	33.80	25.90	3.02	31.91	25.15	3.33	29.88	24.35	3.70	27.67	23.48	4.13				
	63	34.63	26.36	2.49	33.04	25.66	2.73	31.38	24.94	3.00	29.60	24.18	3.32	27.69	23.37	3.69	25.61	22.48	4.12				
	62	34.19	32.60	2.48	32.73	31.85	2.73	31.24	31.24	3.00	29.83	29.83	3.32	28.26	28.26	3.69	26.52	26.52	4.12				
	57	33.87	33.87	2.48	32.61	32.61	2.72	31.27	31.27	3.00	29.83	29.83	3.32	28.26	28.26	3.69	26.52	26.52	4.12				
1350	72	41.40	22.89	2.59	39.55	22.22	2.83	37.60	21.52	3.10	35.50	20.77	3.42	33.24	19.97	3.78	30.75	19.10	4.20				
	67	37.72	28.79	2.56	36.00	28.11	2.80	34.19	27.39	3.08	32.26	26.63	3.39	30.19	25.81	3.76	27.93	24.92	4.18				
	63	35.09	27.77	2.54	33.47	27.07	2.79	31.76	26.34	3.06	29.94	25.57	3.38	27.99	24.73	3.74	25.88	23.82	4.18				
	62	34.90	34.90	2.54	33.63	33.63	2.79	32.22	32.22	3.06	30.70	30.70	3.38	29.05	29.05	3.75	27.22	27.22	4.18				
	57	34.96	34.96	2.54	33.64	33.64	2.79	32.23	32.23	3.06	30.70	30.70	3.38	29.05	29.05	3.75	27.22	27.22	4.18				

COOLING MULTIPLIERS FOR COMBINATION RATINGS: N4A336A(G)KB3							
COOLING INDOOR MODEL	CAPACITY	POWER	FURNACE MODEL	COOLING INDOOR MODEL	CAPACITY	POWER	FURNACE MODEL
*EA*4X36*17A*	1.00	1.00		EA*4X42*24A*	1.01	0.93	*8MV*1102120**
FCM4X24***	1.01	0.95		EHD4X36A**	1.02	0.94	*8MV*1102120**
FCM4X36***	1.01	0.93		EHD4X42A**	1.03	0.93	*8MV*1102120**
FCM4X48***	1.04	0.92		EN(A,D)4X36*21**	1.00	0.94	*8MV*1102120**
FCM4X60***	1.05	0.91		EN(A,D)4X43*24**	1.04	0.95	*8MV*1102120**
FEA4X36**A*	1.01	0.99		EN(A,D,W)4X42*21**	1.01	0.95	*8MV*1102120**
FEM4P36**A*	1.01	1.01		ENH4X42*21**	1.01	0.95	*8MV*1102120**
FEM4P42**A*	1.04	0.95		ENH4X43*21**	1.04	0.93	*8MV*1102120**
FEM4X35**A*	1.02	0.96		EA*4X42*24A*	1.01	0.93	*8MV*1352422**
FEM4X36**A*	1.04	0.97		EHD4X36A**	1.02	0.94	*8MV*1352422**
FEM4X36**B*	1.01	0.98		EHD4X42A**	1.03	0.93	*8MV*1352422**
FEM4X42**A*	1.04	0.97		EN(A,D)4X43*24**	1.04	0.91	*8MV*1352422**
FEM4X42**B*	1.04	0.95		EA*4X36*14A*	0.99	0.98	*8MX*0451408**
FS(M,U)4P36**A*	1.01	1.01		EA*4X36*17A*	1.00	1.00	*8MX*0451408**
FS(M,U)4P42**A*	1.03	0.98		EHD4X36A**	1.02	0.99	*8MX*0451408**
FVM4X24***	1.01	0.95		EHD4X42A**	1.02	0.98	*8MX*0451408**
FVM4X36***	1.01	0.93		EN(A,D)4X37*17**	1.04	0.99	*8MX*0451408**
FVM4X48***	1.04	0.92		EA*4X36*17A*	1.00	0.96	*8MX*0701716**
FVM4X60***	1.05	0.91		EA*4X36*21A*	1.01	0.96	*8MX*0701716**
FXM4X36**A*	1.04	0.94		EA*4X42*21A*	1.01	0.97	*8MX*0701716**
FXM4X42**A*	1.04	0.94		EHD4X36A**	1.02	0.96	*8MX*0701716**
FXM4X48**A*	1.06	0.95		EHD4X42A**	1.03	0.97	*8MX*0701716**
EA*4X36*14A*	0.99	0.95	*8MV*0701412**	EN(A,D)4X37*17**	1.04	0.97	*8MX*0701716**
EA*4X36*17A*	1.00	0.96	*8MV*0701412**	EN(A,D,W)4X36*17**	0.99	0.95	*8MX*0701716**
EHD4X36A**	1.02	0.96	*8MV*0701412**	END4X42*17**	1.02	0.96	*8MX*0701716**
EHD4X42A**	1.02	0.96	*8MV*0701412**	ENH4X36*17**	0.99	0.95	*8MX*0701716**
EN(A,D)4X37*17**	1.03	0.94	*8MV*0701412**	ENH4X42*21**	1.01	0.96	*8MX*0701716**
ENH4X36*17**	0.99	0.95	*8MV*0701412**	ENH4X43*21**	1.04	0.99	*8MX*0701716**
EA*4X36*17A*	1.00	0.94	*8MV*0901716**	EA*4X36*21A*	1.01	0.93	*8MX*0902116**
EA*4X36*21A*	1.00	0.96	*8MV*0901716**	EA*4X42*21A*	1.02	0.93	*8MX*0902116**
EA*4X42*21A*	1.01	0.92	*8MV*0901716**	EA*4X42*24A*	1.02	0.93	*8MX*0902116**
EHD4X36A**	1.02	0.94	*8MV*0901716**	EHD4X36A**	1.03	0.94	*8MX*0902116**
EHD4X42A**	1.02	0.92	*8MV*0901716**	EHD4X42A**	1.04	0.93	*8MX*0902116**
EN(A,D)4X37*17**	1.04	0.93	*8MV*0901716**	EN(A,D)4X36*21**	1.01	0.95	*8MX*0902116**
EN(A,D,W)4X36*17**	1.00	0.94	*8MV*0901716**	EN(A,D)4X43*24**	1.05	0.96	*8MX*0902116**
END4X42*17**	1.02	0.93	*8MV*0901716**	EN(A,D,W)4X42*21**	1.02	0.93	*8MX*0902116**
ENH4X36*17**	1.00	0.94	*8MV*0901716**	EN(A,D,W)4X48*21**	1.04	0.95	*8MX*0902116**
ENH4X42*21**	1.01	0.96	*8MV*0901716**	ENH4X42*21**	1.02	0.93	*8MX*0902116**
ENH4X43*21**	1.04	0.95	*8MV*0901716**	ENH4X43*21**	1.05	0.94	*8MX*0902116**
ENH4X48*21**	1.02	0.94	*8MV*0901716**	EA*4X36*21A*	1.02	0.93	*8MX*1102120**
EA*4X36*21A*	1.01	0.95	*8MV*1102120**	EA*4X42*21A*	1.02	0.94	*8MX*1102120**
EA*4X42*21A*	1.01	0.93	*8MV*1102120**	EA*4X42*24A*	1.02	0.94	*8MX*1102120**

COOLING MULTIPLIERS FOR COMBINATION RATINGS: N4A336A(G)KB3 (continued)

COOLING INDOOR MODEL	CAPACITY	POWER	FURNACE MODEL	COOLING INDOOR MODEL	CAPACITY	POWER	FURNACE MODEL
EHD4X36A**	1.04	0.93	*8MX*1102120**	ENH4X48*21**	1.02	0.93	*9MA*0802120A**
EHD4X42A**	1.04	0.94	*8MX*1102120**	EA*4X36*21A*	1.00	0.92	*9MA*1002122A**
EN(A,D)4X36*21**	1.01	0.95	*8MX*1102120**	EA*4X42*21A*	1.01	0.92	*9MA*1002122A**
EN(A,D)4X43*24**	1.05	0.93	*8MX*1102120**	EA*4X42*24A*	1.01	0.92	*9MA*1002122A**
EN(A,D,W)4X42*21**	1.02	0.93	*8MX*1102120**	EA*4X48*21A*	1.02	0.93	*9MA*1002122A**
EN(A,D,W)4X48*21**	1.04	0.95	*8MX*1102120**	EHD4X36A**	1.02	0.94	*9MA*1002122A**
ENH4X42*21**	1.02	0.93	*8MX*1102120**	EHD4X42A**	1.03	0.93	*9MA*1002122A**
ENH4X43*21**	1.05	0.95	*8MX*1102120**	EHD4X48A**	1.03	0.94	*9MA*1002122A**
EA*4X36*17A*	0.99	0.95	*9MA*0601714A**	EN(A,D)4X36*21**	1.00	0.94	*9MA*1002122A**
EA*4X36*21A*	0.99	0.95	*9MA*0601714A**	EN(A,D)4X43*24**	1.04	0.95	*9MA*1002122A**
EA*4X42*21A*	0.99	0.95	*9MA*0601714A**	EN(A,D,W)4X42*21**	1.01	0.93	*9MA*1002122A**
EHD4X36A**	1.01	0.95	*9MA*0601714A**	EN(A,D,W)4X48*21**	1.02	0.94	*9MA*1002122A**
EHD4X42A**	1.01	0.95	*9MA*0601714A**	ENH4X42*21**	1.01	0.93	*9MA*1002122A**
EN(A,D)4X36*21**	0.99	0.99	*9MA*0601714A**	ENH4X43*21**	1.04	0.93	*9MA*1002122A**
EN(A,D)4X37*17**	1.02	0.96	*9MA*0601714A**	ENH4X48*21**	1.02	0.94	*9MA*1002122A**
EN(A,D,W)4X36*17**	0.99	0.96	*9MA*0601714A**	EA*4X42*24A*	1.01	0.92	*9MA*1202422A**
EN(A,D,W)4X42*21**	0.99	0.95	*9MA*0601714A**	EHD4X36A**	1.02	0.93	*9MA*1202422A**
EN(A,D,W)4X48*21**	1.01	0.97	*9MA*0601714A**	EHD4X42A**	1.02	0.92	*9MA*1202422A**
END4X42*17**	1.00	0.94	*9MA*0601714A**	EN(A,D)4X43*24**	1.03	0.93	*9MA*1202422A**
ENH4X36*17**	0.99	0.96	*9MA*0601714A**	EA*4X36*17A*	1.00	0.97	*9MV*0601714A**
ENH4X42*21**	0.99	0.95	*9MA*0601714A**	EA*4X36*21A*	1.00	0.96	*9MV*0601714A**
ENH4X43*21**	1.02	0.97	*9MA*0601714A**	EA*4X42*21A*	1.01	0.96	*9MV*0601714A**
ENH4X48*21**	1.01	0.97	*9MA*0601714A**	EHD4X36A**	1.02	0.97	*9MV*0601714A**
EA*4X36*21A*	0.99	0.93	*9MA*0602120A**	EHD4X42A**	1.02	0.96	*9MV*0601714A**
EA*4X42*21A*	1.00	0.94	*9MA*0602120A**	EN(A,D)4X36*21**	0.99	0.99	*9MV*0601714A**
EA*4X42*24A*	1.00	0.96	*9MA*0602120A**	EN(A,D)4X37*17**	1.03	0.97	*9MV*0601714A**
EA*4X48*21A*	1.01	0.97	*9MA*0602120A**	EN(A,D,W)4X36*17**	0.99	0.97	*9MV*0601714A**
EHD4X36A**	1.01	0.95	*9MA*0602120A**	EN(A,D,W)4X42*21**	1.01	0.96	*9MV*0601714A**
EHD4X42A**	1.02	0.93	*9MA*0602120A**	END4X42*17**	1.01	0.97	*9MV*0601714A**
EHD4X48A**	1.02	0.94	*9MA*0602120A**	ENH4X36*17**	0.99	0.97	*9MV*0601714A**
EN(A,D)4X36*21**	0.99	0.95	*9MA*0602120A**	ENH4X42*21**	1.01	0.96	*9MV*0601714A**
EN(A,D)4X43*24**	1.02	0.94	*9MA*0602120A**	ENH4X43*21**	1.04	0.99	*9MV*0601714A**
EN(A,D,W)4X42*21**	1.00	0.94	*9MA*0602120A**	EA*4X36*17A*	1.00	0.96	*9MV*0801716A**
EN(A,D,W)4X48*21**	1.02	0.93	*9MA*0602120A**	EA*4X36*21A*	1.01	0.96	*9MV*0801716A**
ENH4X42*21**	1.00	0.94	*9MA*0602120A**	EA*4X42*21A*	1.01	0.97	*9MV*0801716A**
ENH4X43*21**	1.02	0.94	*9MA*0602120A**	EHD4X36A**	1.02	0.96	*9MV*0801716A**
ENH4X48*21**	1.02	0.93	*9MA*0602120A**	EHD4X42A**	1.03	0.97	*9MV*0801716A**
EA*4X36*17A*	0.99	0.93	*9MA*0801714A**	EN(A,D)4X36*21**	1.00	0.96	*9MV*0801716A**
EA*4X36*21A*	0.99	0.95	*9MA*0801714A**	EN(A,D)4X37*17**	1.04	0.95	*9MV*0801716A**
EA*4X42*21A*	1.00	0.96	*9MA*0801714A**	EN(A,D,W)4X36*17**	1.00	0.96	*9MV*0801716A**
EHD4X36A**	1.01	0.95	*9MA*0801714A**	EN(A,D,W)4X42*21**	1.01	0.97	*9MV*0801716A**
EHD4X42A**	1.02	0.93	*9MA*0801714A**	END4X42*17**	1.02	0.96	*9MV*0801716A**
EN(A,D)4X36*21**	0.99	0.95	*9MA*0801714A**	ENH4X36*17**	1.00	0.96	*9MV*0801716A**
EN(A,D)4X37*17**	1.02	0.94	*9MA*0801714A**	ENH4X42*21**	1.01	0.97	*9MV*0801716A**
EN(A,D,W)4X36*17**	0.99	0.95	*9MA*0801714A**	ENH4X43*21**	1.04	0.95	*9MV*0801716A**
EN(A,D,W)4X42*21**	1.00	0.96	*9MA*0801714A**	EA*4X36*21A*	1.01	0.95	*9MV*0802120A**
EN(A,D,W)4X48*21**	1.01	0.93	*9MA*0801714A**	EA*4X42*21A*	1.01	0.93	*9MV*0802120A**
END4X42*17**	1.01	0.95	*9MA*0801714A**	EA*4X42*24A*	1.01	0.93	*9MV*0802120A**
ENH4X36*17**	0.99	0.95	*9MA*0801714A**	EA*4X48*21A*	1.02	0.93	*9MV*0802120A**
ENH4X42*21**	1.00	0.96	*9MA*0801714A**	EHD4X36A**	1.02	0.93	*9MV*0802120A**
ENH4X43*21**	1.02	0.94	*9MA*0801714A**	EHD4X42A**	1.03	0.93	*9MV*0802120A**
ENH4X48*21**	1.01	0.93	*9MA*0801714A**	EN(A,D)4X36*21**	0.99	0.93	*9MV*0802120A**
EA*4X36*21A*	1.00	0.92	*9MA*0802120A**	EN(A,D)4X43*24**	1.04	0.95	*9MV*0802120A**
EA*4X42*21A*	1.01	0.92	*9MA*0802120A**	EN(A,D,W)4X42*21**	1.01	0.95	*9MV*0802120A**
EA*4X42*24A*	1.01	0.92	*9MA*0802120A**	EN(A,D,W)4X48*21**	1.03	0.94	*9MV*0802120A**
EA*4X48*21A*	1.02	0.93	*9MA*0802120A**	ENH4X42*21**	1.01	0.95	*9MV*0802120A**
EHD4X36A**	1.02	0.93	*9MA*0802120A**	ENH4X43*21**	1.04	0.93	*9MV*0802120A**
EHD4X42A**	1.02	0.92	*9MA*0802120A**	EA*4X36*21A*	1.01	0.92	*9MV*1002120A**
EHD4X48A**	1.02	0.94	*9MA*0802120A**	EA*4X42*21A*	1.01	0.93	*9MV*1002120A**
EN(A,D)4X36*21**	0.99	0.93	*9MA*0802120A**	EA*4X42*24A*	1.01	0.93	*9MV*1002120A**
EN(A,D)4X43*24**	1.03	0.94	*9MA*0802120A**	EA*4X48*21A*	1.02	0.93	*9MV*1002120A**
EN(A,D,W)4X42*21**	1.01	0.92	*9MA*0802120A**	EHD4X36A**	1.02	0.93	*9MV*1002120A**
EN(A,D,W)4X48*21**	1.02	0.93	*9MA*0802120A**	EHD4X42A**	1.02	0.92	*9MV*1002120A**
ENH4X42*21**	1.01	0.92	*9MA*0802120A**	EN(A,D)4X36*21**	0.99	0.93	*9MV*1002120A**
ENH4X43*21**	1.03	0.93	*9MA*0802120A**	EN(A,D)4X43*24**	1.04	0.95	*9MV*1002120A**

COOLING MULTIPLIERS FOR COMBINATION RATINGS: N4A336A(G)KB3 (continued)

COOLING INDOOR MODEL	CAPACITY	POWER	FURNACE MODEL	COOLING INDOOR MODEL	CAPACITY	POWER	FURNACE MODEL
EN(A,D,W)4X42*21**	1.01	0.92	*9MV*1002120A**	EHD4X48A**	1.04	0.95	MV12**17C*
EN(A,D,W)4X48*21**	1.03	0.94	*9MV*1002120A**	EN(A,D)4X36*21**	1.01	0.96	MV12**17C*
ENH4X42*21**	1.01	0.92	*9MV*1002120A**	EN(A,D)4X37*17**	1.04	0.94	MV12**17C*
ENH4X43*21**	1.04	0.93	*9MV*1002120A**	EN(A,D,W)4X36*17**	1.01	0.95	MV12**17C*
EA*4X42*24A*	1.01	0.93	*9MV*1202422A**	EN(A,D,W)4X42*21**	1.02	0.93	MV12**17C*
EHD4X36A**	1.02	0.94	*9MV*1202422A**	EN(A,D,W)4X48*21**	1.04	0.95	MV12**17C*
EHD4X42A**	1.03	0.93	*9MV*1202422A**	END4X42*17**	1.02	0.94	MV12**17C*
EN(A,D)4X43*24**	1.04	0.94	*9MV*1202422A**	ENH4X36*17**	1.01	0.95	MV12**17C*
EA*4X36*17A*	1.00	0.96	*9MX*0601714A**	ENH4X42*21**	1.02	0.93	MV12**17C*
EA*4X36*21A*	1.00	0.96	*9MX*0601714A**	ENH4X43*21**	1.04	0.95	MV12**17C*
EA*4X42*21A*	1.01	0.96	*9MX*0601714A**	ENH4X48*21**	1.04	0.95	MV12**17C*
EHD4X36A**	1.02	0.96	*9MX*0601714A**	EA*4X36*21A*	1.01	0.93	MV16**21C*
EHD4X42A**	1.03	0.97	*9MX*0601714A**	EA*4X42*21A*	1.02	0.92	MV16**21C*
EN(A,D)4X36*21**	0.99	0.99	*9MX*0601714A**	EA*4X42*24A*	1.02	0.93	MV16**21C*
EN(A,D)4X37*17**	1.04	0.97	*9MX*0601714A**	EA*4X48*21A*	1.03	0.94	MV16**21C*
EN(A,D,W)4X36*17**	0.99	0.97	*9MX*0601714A**	EA*4X48*24A*	1.03	0.94	MV16**21C*
EN(A,D,W)4X42*21**	1.01	0.96	*9MX*0601714A**	EHD4X36A**	1.03	0.93	MV16**21C*
EN(A,D,W)4X48*21**	1.02	0.98	*9MX*0601714A**	EHD4X42A**	1.04	0.93	MV16**21C*
END4X42*17**	1.02	0.97	*9MX*0601714A**	EHD4X48A**	1.04	0.95	MV16**21C*
ENH4X36*17**	0.99	0.97	*9MX*0601714A**	EN(A,D)4X36*21**	1.01	0.95	MV16**21C*
ENH4X42*21**	1.01	0.96	*9MX*0601714A**	EN(A,D)4X43*24**	1.04	0.92	MV16**21C*
ENH4X43*21**	1.04	0.99	*9MX*0601714A**	EN(A,D)4X48*24**	1.03	0.94	MV16**21C*
ENH4X48*21**	1.02	0.98	*9MX*0601714A**	EN(A,D,W)4X42*21**	1.02	0.93	MV16**21C*
EA*4X36*17A*	0.99	0.93	*9MX*0801716A**	EN(A,D,W)4X48*21**	1.03	0.94	MV16**21C*
EA*4X36*21A*	1.00	0.96	*9MX*0801716A**	ENH4X42*21**	1.02	0.93	MV16**21C*
EA*4X42*21A*	1.01	0.96	*9MX*0801716A**	ENH4X43*21**	1.04	0.92	MV16**21C*
EHD4X36A**	1.02	0.96	*9MX*0801716A**	ENH4X48*21**	1.03	0.94	MV16**21C*
EHD4X42A**	1.02	0.94	*9MX*0801716A**	EA*4X42*24A*	1.01	0.91	MV20**24C*
EN(A,D)4X36*21**	0.99	0.95	*9MX*0801716A**	EA*4X48*24A*	1.02	0.94	MV20**24C*
EN(A,D)4X37*17**	1.03	0.94	*9MX*0801716A**	EHD4X36A**	1.02	0.92	MV20**24C*
EN(A,D,W)4X36*17**	0.99	0.95	*9MX*0801716A**	EHD4X42A**	1.03	0.93	MV20**24C*
EN(A,D,W)4X42*21**	1.01	0.96	*9MX*0801716A**	EHD4X48A**	1.04	0.95	MV20**24C*
EN(A,D,W)4X48*21**	1.02	0.94	*9MX*0801716A**	EN(A,D)4X43*24**	1.04	0.92	MV20**24C*
END4X42*17**	1.01	0.95	*9MX*0801716A**	EN(A,D)4X48*24**	1.03	0.94	MV20**24C*
ENH4X36*17**	0.99	0.95	*9MX*0801716A**	EA*4X36*17A*	0.99	0.93	NOMV106D12*
ENH4X42*21**	1.01	0.96	*9MX*0801716A**	EHD4X36A**	1.01	0.95	NOMV106D12*
ENH4X43*21**	1.04	0.95	*9MX*0801716A**	EHD4X42A**	1.02	0.93	NOMV106D12*
ENH4X48*21**	1.02	0.94	*9MX*0801716A**	EN(A,D)4X37*17**	1.02	0.94	NOMV106D12*
EA*4X36*21A*	1.02	0.96	*9MX*1002120A**	EN(A,D,W)4X36*17**	0.99	0.95	NOMV106D12*
EA*4X42*21A*	1.03	0.97	*9MX*1002120A**	END4X42*17**	1.01	0.95	NOMV106D12*
EA*4X42*24A*	1.03	0.98	*9MX*1002120A**	ENH4X36*17**	0.99	0.95	NOMV106D12*
EHD4X36A**	1.04	0.95	*9MX*1002120A**	EA*4X36*21A*	1.00	0.94	NOMV156E19*
EHD4X42A**	1.05	0.96	*9MX*1002120A**	EA*4X42*21A*	1.01	0.95	NOMV156E19*
EN(A,D)4X36*21**	1.01	0.95	*9MX*1002120A**	EHD4X36A**	1.02	0.93	NOMV156E19*
EN(A,D)4X43*24**	1.06	0.97	*9MX*1002120A**	EHD4X42A**	1.02	0.94	NOMV156E19*
EN(A,D,W)4X42*21**	1.02	0.96	*9MX*1002120A**	EN(A,D)4X36*21**	0.99	0.93	NOMV156E19*
ENH4X42*21**	1.02	0.96	*9MX*1002120A**	EN(A,D,W)4X42*21**	1.01	0.95	NOMV156E19*
ENH4X43*21**	1.06	0.95	*9MX*1002120A**	ENH4X42*21**	1.01	0.95	NOMV156E19*
EA*4X36*14A*	1.00	0.94	MV08**14C*	ENH4X43*21**	1.03	0.93	NOMV156E19*
EA*4X36*17A*	1.00	0.96	MV08**14C*	EN(A,D)4X36*21**	0.99	0.99	OLV098A12*
EA*4X48*17A*	1.03	0.94	MV08**14C*	EN(A,D)4X37*17**	1.03	0.98	OLV098A12*
EHD4X36A**	1.02	0.94	MV08**14C*	EN(A,D,W)4X36*17**	0.99	0.99	OLV098A12*
EHD4X42A**	1.03	0.94	MV08**14C*	EN(A,D,W)4X42*21**	1.00	0.96	OLV098A12*
EHD4X48A**	1.03	0.94	MV08**14C*	END4X42*17**	1.01	0.97	OLV098A12*
EN(A,D)4X37*17**	1.04	0.95	MV08**14C*	EA*4X36*21A*	1.01	0.95	OLV112A16A
EN(A,D,W)4X36*17**	1.00	0.96	MV08**14C*	EA*4X42*21A*	1.01	0.95	OLV112A16A
END4X42*17**	1.02	0.93	MV08**14C*	EHD4X36A**	1.03	0.97	OLV112A16A
ENH4X36*17**	1.00	0.96	MV08**14C*	EHD4X42A**	1.04	0.97	OLV112A16A
EA*4X36*17A*	1.01	0.95	MV12**17C*	EN(A,D)4X36*21**	1.00	0.96	OLV112A16A
EA*4X36*21A*	1.01	0.93	MV12**17C*	EN(A,D)4X43*24**	1.04	0.95	OLV112A16A
EA*4X42*21A*	1.02	0.93	MV12**17C*	EN(A,D,W)4X42*21**	1.01	0.97	OLV112A16A
EA*4X48*17A*	1.04	0.95	MV12**17C*	ENH4X42*21**	1.01	0.97	OLV112A16A
EA*4X48*21A*	1.03	0.94	MV12**17C*	ENH4X43*21**	1.04	0.95	OLV112A16A
EHD4X36A**	1.03	0.93	MV12**17C*	EA*4X42*24A*	1.04	0.95	OLV154F20A
EHD4X42A**	1.04	0.93	MV12**17C*	EHD4X36A**	1.05	0.96	OLV154F20A

COOLING MULTIPLIERS FOR COMBINATION RATINGS: N4A336A(G)KB3 (continued)

COOLING INDOOR MODEL	CAPACITY	POWER	FURNACE MODEL	COOLING INDOOR MODEL	CAPACITY	POWER	FURNACE MODEL
EHD4X42A**	1.05	0.97	OLV154F20A	EA*4X36*21A*	1.00	1.00	
EN(A,D)4X43*24**	1.06	0.95	OLV154F20A	EA*4X42*21A*	1.01	1.01	
EHD4X36A**	1.02	0.97	OMV098J12*	EA*4X42*24A*	1.01	1.01	
EHD4X42A**	1.02	0.98	OMV098J12*	EA*4X48*17A*	1.04	1.04	
EN(A,D)4X36*21**	0.99	0.99	OMV098J12*	EA*4X48*21A*	1.03	1.03	
EN(A,D)4X37*17**	1.03	0.98	OMV098J12*	EA*4X48*24A*	1.03	1.03	
EN(A,D,W)4X36*17**	0.99	0.99	OMV098J12*	EHD4X36A**	1.03	1.01	
EN(A,D,W)4X42*21**	1.01	0.96	OMV098J12*	EHD4X36A**	1.02	0.97	OMV098J12A
END4X42*17**	1.01	0.97	OMV098J12*	EHD4X36A**	1.02	0.97	OLV098A12A
ENH4X36*17**	0.99	0.99	OMV098J12*	EHD4X42A**	1.04	1.02	
ENH4X42*21**	1.01	0.96	OMV098J12*	EHD4X42A**	1.02	0.96	OMV098J12A
ENH4X43*21**	1.03	0.98	OMV098J12*	EHD4X42A**	1.02	0.96	OLV098A12A
EA*4X36*17A*	1.00	0.96	OMV112K14A	EMA4X36D**	1.00	1.00	
EHD4X36A**	1.02	0.96	OMV112K14A	EN(A,D)4X36*21**	1.00	1.00	
EHD4X42A**	1.03	0.94	OMV112K14A	EN(A,D)4X37*17**	1.04	1.01	
EN(A,D)4X36*21**	1.00	0.96	OMV112K14A	EN(A,D)4X37*17**	1.03	0.97	OMV098J12A
EN(A,D)4X37*17**	1.04	0.95	OMV112K14A	EN(A,D)4X37*17**	1.03	0.97	OLV098A12A
EN(A,D,W)4X36*17**	1.00	0.96	OMV112K14A	EN(A,D)4X43*24**	1.04	1.01	
EN(A,D,W)4X42*21**	1.01	0.97	OMV112K14A	EN(A,D,W)4X36*17**	1.00	1.00	
END4X42*17**	1.02	0.96	OMV112K14A	EN(A,D,W)4X36*17**	0.99	0.97	OMV098J12A
ENH4X36*17**	1.00	0.96	OMV112K14A	EN(A,D,W)4X36*17**	0.99	0.97	OLV098A12A
ENH4X42*21**	1.01	0.97	OMV112K14A	EN(A,D,W)4X42*21**	1.02	1.02	
ENH4X43*21**	1.04	0.95	OMV112K14A	EN(A,D,W)4X48*21**	1.03	1.03	
EA*4X42*24A*	1.01	0.93	OMV154L20A	END4X42*17**	1.02	1.01	
EHD4X36A**	1.02	0.94	OMV154L20A	END4X42*17**	1.01	0.97	OMV098J12A
EHD4X42A**	1.03	0.93	OMV154L20A	END4X42*17**	1.01	0.97	OLV098A12A
EN(A,D)4X43*24**	1.04	0.94	OMV154L20A	ENH4X36*17**	0.99	0.97	OMV098J12A
EA*4X36*14A*	1.00	1.00		ENH4X36*17**	0.99	0.97	OLV098A12A
EA*4X36*17A*	0.99	0.97	OMV098J12A	ENH4X42*21**	1.02	1.02	
EA*4X36*17A*	0.99	0.97	OLV098A12A	ENH4X43*21**	1.04	1.01	

* Tested Combination

N4A342

EVAPORATOR AIR	CONDENSER ENTERING AIR TEMPERATURES deg F																					
	75				85				95				105				115				125	
	CFM	EWB	Capacity MBtuh		Total System KW	Capacity MBtuh		Total System KW	Capacity MBtuh		Total System KW	Capacity MBtuh		Total System KW	Capacity MBtuh		Total System KW	Capacity MBtuh		Total System KW		
				Total		Sens	Total		Sens	Total		Sens	Total		Sens	Total		Sens	Total		Sens	Total
N4A342A(G)KA* Outdoor Section With EB*4X42J Indoor Section																						
1225	72	48.65	25.59	3.45	46.41	24.73	3.68	44.15	23.88	4.08	41.78	23.00	4.51	39.23	22.06	4.99	36.40	21.03	5.51			
	67	44.62	31.50	3.40	42.55	30.62	3.66	40.47	29.75	4.06	38.27	28.85	4.50	35.92	27.90	4.98	33.34	26.87	5.50			
	63	41.68	30.56	3.35	39.82	29.72	3.70	37.85	28.84	4.08	35.76	27.91	4.51	33.53	26.94	4.97	31.08	25.89	5.48			
	62	40.98	37.36	3.35	39.11	36.47	3.65	37.25	35.56	4.04	35.32	34.59	4.48	33.39	33.39	4.97	31.42	31.42	5.50			
	57	39.89	39.89	3.33	38.36	38.36	3.64	36.82	36.82	4.04	35.18	35.18	4.48	33.40	33.40	4.97	31.42	31.42	5.50			
1400	72	49.36	26.72	3.54	47.04	25.86	3.76	44.69	24.99	4.15	42.24	24.10	4.59	39.60	23.15	5.06	36.68	22.11	5.58			
	67	45.32	33.35	3.48	43.17	32.47	3.74	41.00	31.58	4.13	38.74	30.68	4.57	36.32	29.72	5.05	33.67	28.67	5.58			
	63	42.37	32.31	3.44	40.44	31.45	3.79	38.40	30.56	4.17	36.25	29.64	4.59	33.95	28.65	5.06	31.43	27.57	5.56			
	62	41.84	39.94	3.43	39.95	38.98	3.73	38.08	38.08	4.12	36.38	36.38	4.56	34.49	34.49	5.05	32.37	32.37	5.57			
	57	41.42	41.42	3.43	39.79	39.79	3.72	38.14	38.14	4.12	36.39	36.39	4.56	34.49	34.49	5.05	32.38	32.38	5.57			
1575	72	49.90	27.82	3.62	47.50	26.94	3.84	45.08	26.07	4.23	42.57	25.17	4.66	39.86	24.21	5.14	36.86	23.16	5.66			
	67	45.85	35.16	3.57	43.63	34.27	3.82	41.41	33.39	4.21	39.10	32.47	4.65	36.63	31.49	5.13	33.92	30.40	5.65			
	63	42.90	34.01	3.52	40.92	33.16	3.87	38.83	32.26	4.25	36.63	31.32	4.68	34.28	30.31	5.14	31.71	29.19	5.64			
	62	42.68	42.28	3.52	40.93	40.93	3.80	39.20	39.20	4.20	37.35	37.35	4.64	35.35	35.35	5.12	33.12	33.12	5.65			
	57	42.66	42.66	3.52	40.94	40.94	3.80	39.20	39.20	4.20	37.35	37.35	4.64	35.35	35.35	5.12	33.12	33.12	5.65			

COOLING MULTIPLIERS FOR COMBINATION RATINGS: N4A342

COOLING INDOOR MODEL	CAPACITY	POWER	FURNACE MODEL	COOLING INDOOR MODEL	CAPACITY	POWER	FURNACE MODEL
*ED*4X42J**	1.00	1.00		FS(M,U)4P42**A*	1.00	1.00	
FEM4P42**A*	1.00	0.96		FS(M,U)4P42**A*	1.01	1.01	
FEM4P42**A*	1.01	0.97		FS(M,U)4P48**A*	1.02	1.02	
FEM4P48**A*	1.00	0.96		FS(M,U)4P48**A*	1.02	1.02	
FEM4P48**A*	1.01	0.97		FVM4X48***	1.01	0.93	

COOLING MULTIPLIERS FOR COMBINATION RATINGS: N4A342 (continued)

COOLING INDOOR MODEL	CAPACITY	POWER	FURNACE MODEL	COOLING INDOOR MODEL	CAPACITY	POWER	FURNACE MODEL
FVM4X60****	1.04	0.95		EA*4X48*24A*	1.00	0.92	*8MV*1352422**
FXM4X42**A*	1.01	0.97		EHD4X42A**	1.00	0.92	*8MV*1352422**
FXM4X48**A*	1.02	0.94		EHD4X48A**	1.01	0.93	*8MV*1352422**
FXM4X60**A*	1.04	0.95		EN(A,D)4X43*24**	1.01	0.93	*8MV*1352422**
EA*4X42*21A*	0.98	0.96	*8MX*0701716**	EN(A,D)4X48*24**	1.00	0.94	*8MV*1352422**
EA*4X48*17A*	1.00	0.97	*8MX*0701716**	ENH4X43*21**	1.01	0.93	*8MV*1352422**
EHD4X42A**	1.00	0.97	*8MX*0701716**	EA*4X42*21A*	0.98	0.96	*9MX*0601714A**
EHD4X48A**	1.01	0.99	*8MX*0701716**	EA*4X48*17A*	1.00	0.96	*9MX*0601714A**
END4X42*17**	0.99	0.97	*8MX*0701716**	EA*4X48*21A*	0.99	0.95	*9MX*0601714A**
ENH4X42*21**	0.98	0.96	*8MX*0701716**	EHD4X42A**	1.00	0.96	*9MX*0601714A**
ENH4X43*21**	1.01	1.01	*8MX*0701716**	EHD4X48A**	1.00	0.96	*9MX*0601714A**
ENH4X48*21**	1.00	0.98	*8MX*0701716**	EN(A,D,W)4X42*21**	0.98	0.96	*9MX*0601714A**
EA*4X42*21A*	0.99	0.93	*8MX*0902116**	EN(A,D,W)4X48*21**	1.00	0.96	*9MX*0601714A**
EA*4X42*24A*	0.99	0.93	*8MX*0902116**	END4X42*17**	0.99	0.95	*9MX*0601714A**
EA*4X48*24A*	1.00	0.94	*8MX*0902116**	ENH4X42*21**	0.98	0.96	*9MX*0601714A**
EHD4X42A**	1.00	0.94	*8MX*0902116**	ENH4X43*21**	1.01	0.97	*9MX*0601714A**
EHD4X48A**	1.01	0.93	*8MX*0902116**	ENH4X48*21**	1.00	0.96	*9MX*0601714A**
EN(A,D)4X43*24**	1.01	0.93	*8MX*0902116**	EA*4X42*21A*	0.98	0.94	*9MX*0801716A**
EN(A,D,W)4X42*21**	0.99	0.93	*8MX*0902116**	EA*4X48*17A*	1.00	0.96	*9MX*0801716A**
EN(A,D,W)4X48*21**	1.00	0.92	*8MX*0902116**	EA*4X48*21A*	1.00	0.96	*9MX*0801716A**
ENH4X42*21**	0.99	0.93	*8MX*0902116**	EHD4X42A**	1.00	0.96	*9MX*0801716A**
ENH4X43*21**	1.01	0.93	*8MX*0902116**	EHD4X48A**	1.00	0.96	*9MX*0801716A**
ENH4X48*21**	1.00	0.92	*8MX*0902116**	EN(A,D,W)4X42*21**	0.98	0.96	*9MX*0801716A**
EA*4X42*21A*	0.99	0.93	*8MX*1102120**	EN(A,D,W)4X48*21**	1.00	0.96	*9MX*0801716A**
EA*4X42*24A*	0.99	0.93	*8MX*1102120**	END4X42*17**	0.99	0.95	*9MX*0801716A**
EA*4X48*24A*	1.00	0.92	*8MX*1102120**	ENH4X42*21**	0.98	0.96	*9MX*0801716A**
EHD4X42A**	1.01	0.93	*8MX*1102120**	ENH4X43*21**	1.01	0.97	*9MX*0801716A**
EHD4X48A**	1.01	0.93	*8MX*1102120**	ENH4X48*21**	1.00	0.96	*9MX*0801716A**
EN(A,D)4X43*24**	1.01	0.93	*8MX*1102120**	EA*4X42*21A*	0.99	0.94	*9MX*0802120A**
EN(A,D,W)4X42*21**	0.99	0.91	*8MX*1102120**	EA*4X42*24A*	0.99	0.94	*9MX*0802120A**
EN(A,D,W)4X48*21**	1.00	0.92	*8MX*1102120**	EA*4X48*21A*	1.00	0.94	*9MX*0802120A**
ENH4X42*21**	0.99	0.91	*8MX*1102120**	EA*4X48*24A*	1.00	0.94	*9MX*0802120A**
ENH4X43*21**	1.01	0.93	*8MX*1102120**	EHD4X42A**	1.01	0.95	*9MX*0802120A**
ENH4X48*21**	1.00	0.92	*8MX*1102120**	EHD4X48A**	1.01	0.95	*9MX*0802120A**
EA*4X42*24A*	0.99	0.93	*8MX*1352420**	EN(A,D)4X43*24**	1.02	0.94	*9MX*0802120A**
EA*4X48*24A*	1.00	0.92	*8MX*1352420**	EN(A,D)4X48*24**	1.01	0.95	*9MX*0802120A**
EHD4X42A**	1.00	0.92	*8MX*1352420**	EN(A,D,W)4X42*21**	0.99	0.94	*9MX*0802120A**
EHD4X48A**	1.01	0.93	*8MX*1352420**	EN(A,D,W)4X48*21**	1.01	0.95	*9MX*0802120A**
EN(A,D)4X43*24**	1.01	0.93	*8MX*1352420**	ENH4X42*21**	0.99	0.94	*9MX*0802120A**
EN(A,D)4X48*24**	1.00	0.92	*8MX*1352420**	ENH4X43*21**	1.02	0.94	*9MX*0802120A**
ENH4X42*21**	0.99	0.93	*8MX*1352420**	ENH4X48*21**	1.01	0.95	*9MX*0802120A**
ENH4X43*21**	1.01	0.93	*8MX*1352420**	EA*4X42*21A*	0.99	0.93	*9MX*1002120A**
ENH4X48*21**	1.00	0.92	*8MX*1352420**	EA*4X42*24A*	0.99	0.93	*9MX*1002120A**
EA*4X48*17A*	1.00	0.96	*8MV*0701412**	EA*4X48*21A*	1.00	0.94	*9MX*1002120A**
EHD4X42A**	1.00	0.96	*8MV*0701412**	EA*4X48*24A*	1.00	0.92	*9MX*1002120A**
EHD4X48A**	1.00	0.96	*8MV*0701412**	EHD4X42A**	1.00	0.92	*9MX*1002120A**
ENH4X42*21**	0.99	0.97	*8MV*0701412**	EHD4X48A**	1.01	0.93	*9MX*1002120A**
ENH4X43*21**	1.01	0.97	*8MV*0701412**	EN(A,D)4X43*24**	1.02	0.94	*9MX*1002120A**
ENH4X48*21**	1.00	0.98	*8MV*0701412**	EN(A,D)4X48*24**	1.00	0.92	*9MX*1002120A**
EA*4X42*21A*	0.98	0.92	*8MV*0901716**	EN(A,D,W)4X42*21**	0.98	0.92	*9MX*1002120A**
EA*4X48*17A*	1.00	0.94	*8MV*0901716**	EN(A,D,W)4X48*21**	1.00	0.92	*9MX*1002120A**
EHD4X42A**	1.00	0.94	*8MV*0901716**	ENH4X42*21**	0.98	0.92	*9MX*1002120A**
EHD4X48A**	1.00	0.94	*8MV*0901716**	ENH4X43*21**	1.01	0.93	*9MX*1002120A**
END4X42*17**	0.99	0.93	*8MV*0901716**	ENH4X48*21**	1.00	0.92	*9MX*1002120A**
ENH4X43*21**	1.01	0.93	*8MV*0901716**	EA*4X42*24A*	0.99	0.92	*9MX*1202422A**
EA*4X42*21A*	0.98	0.92	*8MV*1102120**	EA*4X48*24A*	1.01	0.94	*9MX*1202422A**
EA*4X42*24A*	0.98	0.92	*8MV*1102120**	EHD4X42A**	1.01	0.94	*9MX*1202422A**
EA*4X48*24A*	1.00	0.92	*8MV*1102120**	EHD4X48A**	1.01	0.94	*9MX*1202422A**
EHD4X42A**	1.00	0.94	*8MV*1102120**	EN(A,D)4X43*24**	1.02	0.94	*9MX*1202422A**
EHD4X48A**	1.01	0.95	*8MV*1102120**	EN(A,D)4X48*24**	1.01	0.94	*9MX*1202422A**
EN(A,D)4X43*24**	1.01	0.93	*8MV*1102120**	ENH4X42*21**	0.99	0.94	*9MX*1202422A**
EN(A,D,W)4X42*21**	0.99	0.94	*8MV*1102120**	ENH4X43*21**	1.02	0.94	*9MX*1202422A**
EN(A,D,W)4X48*21**	1.00	0.96	*8MV*1102120**	ENH4X48*21**	1.01	0.94	*9MX*1202422A**
ENH4X43*21**	1.01	0.93	*8MV*1102120**	EA*4X42*21A*	0.98	0.96	*9MV*0601714A**
EA*4X42*24A*	0.99	0.91	*8MV*1352422**	EA*4X48*17A*	1.00	0.96	*9MV*0601714A**

COOLING MULTIPLIERS FOR COMBINATION RATINGS: N4A342 (continued)

COOLING INDOOR MODEL	CAPACITY	POWER	FURNACE MODEL	COOLING INDOOR MODEL	CAPACITY	POWER	FURNACE MODEL
EA*4X48*21A*	0.99	0.95	*9MV*0601714A**	ENH4X48*21**	0.99	0.95	*9MA*0601714A**
EHD4X42A**	1.00	0.96	*9MV*0601714A**	EA*4X42*21A*	0.98	0.94	*9MA*0801714A**
EHD4X48A**	1.00	0.96	*9MV*0601714A**	EA*4X48*17A*	0.99	0.94	*9MA*0801714A**
EN(A,D,W)4X42*21**	0.98	0.96	*9MV*0601714A**	EA*4X48*21A*	0.99	0.94	*9MA*0801714A**
EN(A,D,W)4X48*21**	1.00	0.96	*9MV*0601714A**	EHD4X42A**	0.99	0.94	*9MA*0801714A**
END4X42*17**	0.99	0.97	*9MV*0601714A**	EHD4X48A**	1.00	0.96	*9MA*0801714A**
ENH4X42*21**	0.98	0.96	*9MV*0601714A**	EN(A,D,W)4X42*21**	0.98	0.94	*9MA*0801714A**
ENH4X43*21**	1.00	0.96	*9MV*0601714A**	EN(A,D,W)4X48*21**	0.99	0.94	*9MA*0801714A**
ENH4X48*21**	1.00	0.96	*9MV*0601714A**	END4X42*17**	0.98	0.94	*9MA*0801714A**
EA*4X42*21A*	0.98	0.94	*9MV*0801716A**	ENH4X42*21**	0.98	0.94	*9MA*0801714A**
EA*4X48*17A*	1.00	0.96	*9MV*0801716A**	ENH4X43*21**	1.00	0.93	*9MA*0801714A**
EA*4X48*21A*	0.99	0.95	*9MV*0801716A**	ENH4X48*21**	0.99	0.94	*9MA*0801714A**
EHD4X42A**	1.00	0.96	*9MV*0801716A**	EA*4X42*21A*	0.98	0.92	*9MA*0802120A**
EHD4X48A**	1.00	0.96	*9MV*0801716A**	EA*4X42*24A*	0.98	0.92	*9MA*0802120A**
EN(A,D,W)4X42*21**	0.98	0.94	*9MV*0801716A**	EA*4X48*21A*	0.99	0.93	*9MA*0802120A**
EN(A,D,W)4X48*21**	1.00	0.96	*9MV*0801716A**	EA*4X48*24A*	0.99	0.93	*9MA*0802120A**
END4X42*17**	0.99	0.95	*9MV*0801716A**	EHD4X42A**	1.00	0.94	*9MA*0802120A**
ENH4X42*21**	0.98	0.94	*9MV*0801716A**	EHD4X48A**	1.00	0.92	*9MA*0802120A**
ENH4X43*21**	1.01	0.94	*9MV*0801716A**	EN(A,D)4X43*24**	1.00	0.92	*9MA*0802120A**
ENH4X48*21**	1.00	0.96	*9MV*0801716A**	EN(A,D)4X48*24**	0.99	0.91	*9MA*0802120A**
EA*4X42*21A*	0.98	0.92	*9MV*0802120A**	EN(A,D,W)4X42*21**	0.98	0.93	*9MA*0802120A**
EA*4X42*24A*	0.99	0.93	*9MV*0802120A**	EN(A,D,W)4X48*21**	0.99	0.91	*9MA*0802120A**
EA*4X48*21A*	1.00	0.94	*9MV*0802120A**	ENH4X42*21**	0.98	0.93	*9MA*0802120A**
EA*4X48*24A*	1.00	0.94	*9MV*0802120A**	ENH4X43*21**	1.00	0.92	*9MA*0802120A**
EHD4X42A**	1.00	0.94	*9MV*0802120A**	ENH4X48*21**	0.99	0.91	*9MA*0802120A**
EHD4X48A**	1.01	0.93	*9MV*0802120A**	EA*4X42*21A*	0.99	0.93	*9MA*1002122A**
EN(A,D)4X43*24**	1.01	0.93	*9MV*0802120A**	EA*4X42*24A*	0.99	0.93	*9MA*1002122A**
EN(A,D)4X48*24**	1.00	0.94	*9MV*0802120A**	EA*4X48*21A*	1.00	0.93	*9MA*1002122A**
EN(A,D,W)4X42*21**	0.98	0.93	*9MV*0802120A**	EA*4X48*24A*	1.00	0.92	*9MA*1002122A**
EN(A,D,W)4X48*21**	1.00	0.94	*9MV*0802120A**	EHD4X42A**	1.00	0.92	*9MA*1002122A**
ENH4X42*21**	0.98	0.93	*9MV*0802120A**	EHD4X48A**	1.01	0.93	*9MA*1002122A**
ENH4X43*21**	1.01	0.93	*9MV*0802120A**	EN(A,D)4X43*24**	1.01	0.93	*9MA*1002122A**
ENH4X48*21**	1.00	0.94	*9MV*0802120A**	EN(A,D)4X48*24**	1.00	0.92	*9MA*1002122A**
EA*4X42*21A*	0.98	0.92	*9MV*1002120A**	EN(A,D,W)4X42*21**	0.99	0.93	*9MA*1002122A**
EA*4X42*24A*	0.99	0.93	*9MV*1002120A**	EN(A,D,W)4X48*21**	1.00	0.92	*9MA*1002122A**
EA*4X48*21A*	1.00	0.94	*9MV*1002120A**	ENH4X42*21**	0.99	0.93	*9MA*1002122A**
EA*4X48*24A*	1.00	0.92	*9MV*1002120A**	ENH4X43*21**	1.01	0.93	*9MA*1002122A**
EHD4X42A**	1.00	0.92	*9MV*1002120A**	ENH4X48*21**	1.00	0.92	*9MA*1002122A**
EHD4X48A**	1.00	0.92	*9MV*1002120A**	EA*4X42*24A*	0.98	0.91	*9MA*1202422A**
EN(A,D)4X43*24**	1.01	0.93	*9MV*1002120A**	EHD4X42A**	1.00	0.92	*9MA*1202422A**
EN(A,D)4X48*24**	1.00	0.92	*9MV*1002120A**	EHD4X48A**	1.00	0.92	*9MA*1202422A**
EN(A,D,W)4X42*21**	0.98	0.92	*9MV*1002120A**	EN(A,D)4X43*24**	1.01	0.93	*9MA*1202422A**
EN(A,D,W)4X48*21**	1.00	0.92	*9MV*1002120A**	EN(A,D)4X48*24**	0.99	0.91	*9MA*1202422A**
ENH4X42*21**	0.98	0.92	*9MV*1002120A**	ENH4X42*21**	0.98	0.91	*9MA*1202422A**
ENH4X43*21**	1.01	0.93	*9MV*1002120A**	ENH4X43*21**	1.00	0.92	*9MA*1202422A**
ENH4X48*21**	1.00	0.92	*9MV*1002120A**	ENH4X48*21**	0.99	0.91	*9MA*1202422A**
EA*4X42*24A*	0.99	0.92	*9MV*1202422A**	EA*4X42*21A*	0.96	0.92	*9MA*0602120A**
EA*4X48*24A*	1.00	0.93	*9MV*1202422A**	EA*4X42*24A*	0.98	0.93	*9MA*0602120A**
EHD4X42A**	1.00	0.93	*9MV*1202422A**	EA*4X48*21A*	0.99	0.94	*9MA*0602120A**
EHD4X48A**	1.00	0.92	*9MV*1202422A**	EA*4X48*24A*	0.99	0.94	*9MA*0602120A**
EN(A,D)4X43*24**	1.01	0.93	*9MV*1202422A**	EHD4X42A**	0.99	0.94	*9MA*0602120A**
EN(A,D)4X48*24**	1.00	0.92	*9MV*1202422A**	EHD4X48A**	1.00	0.94	*9MA*0602120A**
ENH4X42*21**	0.98	0.91	*9MV*1202422A**	EN(A,D)4X43*24**	1.00	0.94	*9MA*0602120A**
ENH4X43*21**	1.00	0.92	*9MV*1202422A**	EN(A,D)4X48*24**	0.99	0.93	*9MA*0602120A**
ENH4X48*21**	1.00	0.92	*9MV*1202422A**	EN(A,D,W)4X42*21**	0.98	0.95	*9MA*0602120A**
EA*4X42*21A*	0.96	0.93	*9MA*0601714A**	EN(A,D,W)4X48*21**	0.99	0.93	*9MA*0602120A**
EA*4X48*17A*	0.99	0.95	*9MA*0601714A**	ENH4X42*21**	0.98	0.95	*9MA*0602120A**
EA*4X48*21A*	0.99	0.95	*9MA*0601714A**	ENH4X43*21**	1.00	0.94	*9MA*0602120A**
EHD4X42A**	0.99	0.95	*9MA*0601714A**	ENH4X48*21**	0.99	0.93	*9MA*0602120A**
EHD4X48A**	0.99	0.95	*9MA*0601714A**	EHD4X42A**	1.01	0.99	OLV112A16A
EN(A,D,W)4X42*21**	0.96	0.95	*9MA*0601714A**	EHD4X48A**	1.01	0.99	OLV112A16A
EN(A,D,W)4X48*21**	0.99	0.95	*9MA*0601714A**	EN(A,D)4X43*24**	1.02	0.98	OLV112A16A
END4X42*17**	0.98	0.94	*9MA*0601714A**	EN(A,D)4X48*24**	1.00	0.96	OLV112A16A
ENH4X42*21**	0.96	0.95	*9MA*0601714A**	EN(A,D,W)4X42*21**	0.99	0.99	OLV112A16A
ENH4X43*21**	1.00	0.96	*9MA*0601714A**				

COOLING MULTIPLIERS FOR COMBINATION RATINGS: N4A342 (continued)

COOLING INDOOR MODEL	CAPACITY	POWER	FURNACE MODEL	COOLING INDOOR MODEL	CAPACITY	POWER	FURNACE MODEL
EN(A,D,W)4X48*21**	1.00	0.96	OLV112A16A	EHD4X42A**	1.01	0.93	MV20**24C*
ENH4X42*21**	0.99	0.99	OLV112A16A	EHD4X48A**	1.01	1.01	
ENH4X43*21**	1.01	0.97	OLV112A16A	EHD4X48A**	1.01	0.95	MV12**17C*
ENH4X48*21**	1.00	0.96	OLV112A16A	EHD4X48A**	1.01	0.93	MV16**21C*
EHD4X42A**	1.02	0.96	OLV154F20A	EHD4X48A**	1.01	0.93	MV20**24C*
EHD4X48A**	1.04	0.97	OLV154F20A	EHD4X60A**	1.02	0.94	MV12**17C*
EN(A,D)4X43*24**	1.04	0.95	OLV154F20A	EHD4X60A**	1.02	0.92	MV16**21C*
EN(A,D)4X48*24**	1.02	0.96	OLV154F20A	EHD4X60A**	1.02	0.92	MV20**24C*
ENH4X42*21**	1.00	0.98	OLV154F20A	EMA4X48D**	1.01	1.01	
ENH4X43*21**	1.04	0.97	OLV154F20A	EN(A,D)4X43*24**	1.01	1.01	
ENH4X48*21**	1.02	0.96	OLV154F20A	EN(A,D)4X43*24**	1.02	0.92	MV16**21C*
EHD4X42A**	1.00	0.96	OMV112K14A	EN(A,D)4X43*24**	1.01	0.91	MV20**24C*
EHD4X48A**	1.00	0.96	OMV112K14A	EN(A,D)4X48*24**	1.01	1.01	
EN(A,D,W)4X42*21**	0.98	0.96	OMV112K14A	EN(A,D)4X48*24**	1.01	0.93	MV16**21C*
EN(A,D,W)4X48*21**	1.00	0.96	OMV112K14A	EN(A,D)4X48*24**	1.00	0.92	MV20**24C*
END4X42*17**	0.99	0.97	OMV112K14A	EN(A,D)4X61*24**	1.04	0.93	MV16**21C*
ENH4X42*21**	0.98	0.96	OMV112K14A	EN(A,D)4X61*24**	1.02	0.92	MV20**24C*
ENH4X43*21**	1.01	0.95	OMV112K14A	EN(A,D,W)4X42*21**	1.00	1.00	
ENH4X48*21**	1.00	0.96	OMV112K14A	EN(A,D,W)4X42*21**	0.99	0.94	MV12**17C*
EA*4X42*21A*	1.00	1.00		EN(A,D,W)4X42*21**	0.99	0.93	MV16**21C*
EA*4X42*21A*	0.99	0.93	MV12**17C*	EN(A,D,W)4X48*21**	1.01	1.01	
EA*4X42*21A*	0.99	0.93	MV16**21C*	EN(A,D,W)4X48*21**	1.00	0.94	MV12**17C*
EA*4X42*24A*	1.00	1.00		EN(A,D,W)4X48*21**	1.01	0.93	MV16**21C*
EA*4X42*24A*	0.99	0.93	MV16**21C*	EN(A,D,W)4X60*24**	1.02	0.92	MV16**21C*
EA*4X42*24A*	0.99	0.93	MV20**24C*	EN(A,D,W)4X60*24**	1.02	0.92	MV20**24C*
EA*4X48*17A*	0.99	0.99		END4X42*17**	1.00	1.00	
EA*4X48*17A*	1.01	0.95	MV12**17C*	END4X42*17**	1.00	0.94	MV12**17C*
EA*4X48*21A*	1.01	1.01		ENH4X42*21**	1.00	1.00	
EA*4X48*21A*	1.00	0.94	MV12**17C*	ENH4X42*21**	0.99	0.94	MV12**17C*
EA*4X48*21A*	1.00	0.92	MV16**21C*	ENH4X42*21**	0.99	0.93	MV16**21C*
EA*4X48*24A*	1.01	1.01		ENH4X43*21**	1.01	1.01	
EA*4X48*24A*	1.01	0.93	MV16**21C*	ENH4X43*21**	1.02	0.94	MV12**17C*
EA*4X48*24A*	1.00	0.92	MV20**24C*	ENH4X43*21**	1.02	0.94	MV16**21C*
EA*4X60*21A*	1.02	0.94	MV12**17C*	ENH4X48*21**	1.01	1.01	
EA*4X60*21A*	1.02	0.92	MV16**21C*	ENH4X48*21**	1.00	0.94	MV12**17C*
EA*4X60*24A*	1.02	0.92	MV16**21C*	ENH4X48*21**	1.01	0.93	MV16**21C*
EA*4X60*24A*	1.02	0.92	MV20**24C*	ENH4X60*24**	1.02	0.92	MV16**21C*
EHD4X42A**	1.00	1.00		ENH4X60*24**	1.02	0.92	MV20**24C*
EHD4X42A**	1.01	0.95	MV12**17C*	ENH4X61*24**	1.02	0.92	MV16**21C*
EHD4X42A**	1.01	0.93	MV16**21C*	ENH4X61*24**	1.02	0.92	MV20**24C*

* Tested Combination

N4A348

EVAPORATOR AIR	CONDENSER ENTERING AIR TEMPERATURES deg F																							
	75				85				95				105				115				125			
	CFM	EWB	Capacity MBtuh		Total System KW	Capacity MBtuh		Total System KW	Capacity MBtuh		Total System KW	Capacity MBtuh		Total System KW	Capacity MBtuh		Total System KW	Capacity MBtuh		Total System KW				
Total			Sens	Total		Sens	Total		Sens	Total		Sens	Total		Sens	Total		Sens	Total		Sens			
N4A348A(G)KB3 Outdoor Section With EA*4X48*21A Indoor Section																								
1400	72	54.48	26.42	3.38	52.18	25.62	3.74	49.73	24.77	4.13	47.13	23.89	4.56	44.34	22.96	5.03	41.30	21.95	5.55					
	67	49.80	32.57	3.36	47.63	31.74	3.71	45.34	30.88	4.10	42.93	29.97	4.53	40.34	29.02	5.01	37.58	28.02	5.53					
	63	46.42	31.55	3.34	44.36	30.70	3.69	42.19	29.82	4.08	39.89	28.90	4.52	37.46	27.94	5.00	34.91	26.94	5.51					
	62	45.58	38.68	3.34	43.61	37.81	3.69	41.55	36.89	4.08	39.45	39.21	4.52	37.47	37.47	5.00	35.38	35.38	5.51					
	57	44.55	44.55	3.33	42.94	42.94	3.69	41.23	41.23	4.08	39.42	39.42	4.52	37.47	37.47	4.99	35.39	35.39	5.51					
1600	72	55.34	27.67	3.47	52.95	26.86	3.82	50.42	26.01	4.21	47.73	25.12	4.64	44.84	24.17	5.11	41.69	23.15	5.63					
	67	50.63	34.61	3.44	48.38	33.76	3.79	46.00	32.88	4.18	43.51	31.98	4.61	40.84	31.01	5.09	38.00	29.98	5.61					
	63	47.22	33.46	3.42	45.08	32.60	3.77	42.83	31.71	4.17	40.47	30.78	4.60	37.96	29.80	5.08	35.33	28.77	5.59					
	62	46.58	41.42	3.42	44.61	44.23	3.77	42.74	42.74	4.16	40.82	40.82	4.60	38.75	38.75	5.08	36.51	36.51	5.60					
	57	46.27	46.27	3.42	44.56	44.56	3.77	42.75	42.75	4.16	40.82	40.82	4.60	38.75	38.75	5.08	36.52	36.52	5.60					
1800	72	55.96	28.85	3.55	53.51	28.03	3.90	50.90	27.17	4.29	48.15	26.28	4.72	45.18	25.32	5.19	41.94	24.28	5.70					
	67	51.22	36.53	3.52	48.91	35.69	3.87	46.48	34.81	4.26	43.93	33.88	4.69	41.20	32.89	5.17	38.30	31.83	5.68					
	63	47.80	35.26	3.50	45.61	34.40	3.85	43.31	33.50	4.25	40.89	32.56	4.68	38.33	31.55	5.16	35.64	30.47	5.67					
	62	47.66	47.66	3.50	45.87	45.87	3.86	43.97	43.97	4.25	41.94	41.94	4.68	39.77	39.77	5.16	37.41	37.41	5.68					
	57	47.67	47.67	3.50	45.88	45.88	3.86	43.97	43.97	4.25	41.95	41.95	4.68	39.77	39.77	5.16	37.41	37.41	5.68					

COOLING MULTIPLIERS FOR COMBINATION RATINGS: N4A348							
COOLING INDOOR MODEL	CAPACITY	POWER	FURNACE MODEL	COOLING INDOOR MODEL	CAPACITY	POWER	FURNACE MODEL
*EA*4X48*21A*	1.00	1.00		EHD4X48A**	0.99	0.95	*8MX*1352420**
FCM4X48****	1.01	0.95		EHD4X60A**	1.01	0.95	*8MX*1352420**
FCM4X60****	1.02	0.92		EN(A,D)4X48*24**	0.99	0.95	*8MX*1352420**
FEM4P48**A*	0.99	0.99		EN(A,D)4X61*24**	1.02	0.96	*8MX*1352420**
FEM4X48**A*	1.02	0.98		EN(A,D,W)4X60*24**	1.01	0.95	*8MX*1352420**
FEM4X48**B*	0.99	0.96		ENH4X60*24**	1.01	0.95	*8MX*1352420**
FEM4X60**A*	1.03	0.97		ENH4X61*24**	1.01	0.95	*8MX*1352420**
FEM4X60**B*	1.01	0.97		EA*4X48*21A*	0.97	0.95	*9MA*0602120A**
FS(M,U)4P48**A*	1.01	1.01		EA*4X48*24A*	0.97	0.97	*9MA*0602120A**
FS(M,U)4X60**A*	1.02	1.02		EA*4X60*21A*	0.99	0.96	*9MA*0602120A**
FVM4X48****	1.01	0.95		EA*4X60*24A*	0.99	0.95	*9MA*0602120A**
FVM4X60****	1.02	0.92		EHD4X48A**	0.98	0.95	*9MA*0602120A**
FXM4X48**A*	1.02	0.96		EHD4X60A**	0.99	0.95	*9MA*0602120A**
FXM4X60**A*	1.03	0.95		EN(A,D)4X48*24**	0.97	0.97	*9MA*0602120A**
EA*4X48*17A*	0.98	0.95	*8MV*0901716**	EN(A,D)4X61*24**	1.00	0.96	*9MA*0602120A**
EA*4X48*21A*	0.98	0.98	*8MV*0901716**	EN(A,D,W)4X48*21**	0.97	0.94	*9MA*0602120A**
EA*4X60*21A*	1.00	0.96	*8MV*0901716**	EN(A,D,W)4X60*24**	0.99	0.95	*9MA*0602120A**
EHD4X48A**	0.99	0.96	*8MV*0901716**	ENH4X48*21**	0.97	0.94	*9MA*0602120A**
EHD4X60A**	1.00	0.94	*8MV*0901716**	ENH4X60*24**	0.99	0.95	*9MA*0602120A**
ENH4X48*21**	0.98	0.98	*8MV*0901716**	ENH4X61*24**	0.99	0.95	*9MA*0602120A**
EA*4X48*21A*	0.98	0.95	*8MV*1102120**	EA*4X48*21A*	0.97	0.94	*9MA*0802120A**
EA*4X48*24A*	0.98	0.98	*8MV*1102120**	EA*4X48*24A*	0.97	0.93	*9MA*0802120A**
EA*4X60*21A*	1.00	0.94	*8MV*1102120**	EA*4X60*21A*	0.99	0.93	*9MA*0802120A**
EA*4X60*24A*	1.00	0.96	*8MV*1102120**	EA*4X60*24A*	0.99	0.95	*9MA*0802120A**
EHD4X48A**	0.99	0.95	*8MV*1102120**	EHD4X48A**	0.98	0.94	*9MA*0802120A**
EHD4X60A**	1.00	0.94	*8MV*1102120**	EHD4X60A**	1.00	0.94	*9MA*0802120A**
EN(A,D)4X61*24**	1.01	0.97	*8MV*1102120**	EN(A,D)4X48*24**	0.98	0.94	*9MA*0802120A**
EN(A,D,W)4X48*21**	0.98	0.94	*8MV*1102120**	EN(A,D)4X61*24**	1.00	0.96	*9MA*0802120A**
ENH4X48*21**	0.98	0.94	*8MV*1102120**	EN(A,D,W)4X48*21**	0.98	0.94	*9MA*0802120A**
ENH4X60*24**	1.00	0.96	*8MV*1102120**	EN(A,D,W)4X60*24**	0.99	0.95	*9MA*0802120A**
ENH4X61*24**	1.00	0.96	*8MV*1102120**	ENH4X48*21**	0.98	0.94	*9MA*0802120A**
EA*4X48*24A*	0.98	0.94	*8MV*1352422**	ENH4X60*24**	0.99	0.95	*9MA*0802120A**
EA*4X60*24A*	1.00	0.94	*8MV*1352422**	ENH4X61*24**	0.99	0.95	*9MA*0802120A**
EHD4X48A**	0.99	0.95	*8MV*1352422**	ENH4X61*24**	1.00	0.96	*9MA*0802120A**
EHD4X60A**	1.01	0.95	*8MV*1352422**	EA*4X48*21A*	0.98	0.94	*9MA*1002122A**
EN(A,D)4X48*24**	0.99	0.93	*8MV*1352422**	EA*4X48*24A*	0.98	0.94	*9MA*1002122A**
EN(A,D)4X61*24**	1.01	0.93	*8MV*1352422**	EA*4X60*21A*	1.00	0.94	*9MA*1002122A**
EN(A,D,W)4X60*24**	1.00	0.94	*8MV*1352422**	EA*4X60*24A*	1.00	0.96	*9MA*1002122A**
ENH4X60*24**	1.00	0.94	*8MV*1352422**	EHD4X48A**	0.99	0.95	*9MA*1002122A**
ENH4X61*24**	1.01	0.95	*8MV*1352422**	EHD4X60A**	1.01	0.95	*9MA*1002122A**
EHD4X60A**	1.00	1.00	*8MX*0701716**	EN(A,D)4X48*24**	0.98	0.94	*9MA*1002122A**
EA*4X48*21A*	0.98	0.95	*8MX*0902116**	EN(A,D)4X61*24**	1.01	0.93	*9MA*1002122A**
EA*4X48*24A*	0.98	0.98	*8MX*0902116**	EN(A,D,W)4X48*21**	0.98	0.94	*9MA*1002122A**
EA*4X60*21A*	1.00	0.96	*8MX*0902116**	EN(A,D,W)4X60*24**	1.00	0.96	*9MA*1002122A**
EA*4X60*24A*	1.01	0.97	*8MX*0902116**	ENH4X48*21**	0.98	0.94	*9MA*1002122A**
EHD4X48A**	0.99	0.95	*8MX*0902116**	ENH4X60*24**	1.00	0.96	*9MA*1002122A**
EHD4X60A**	1.01	0.95	*8MX*0902116**	ENH4X61*24**	1.00	0.96	*9MA*1002122A**
EN(A,D)4X61*24**	1.02	0.98	*8MX*0902116**	EA*4X48*24A*	0.97	0.93	*9MA*1202422A**
EN(A,D,W)4X48*21**	0.99	0.95	*8MX*0902116**	EA*4X60*24A*	0.99	0.93	*9MA*1202422A**
ENH4X48*21**	0.99	0.95	*8MX*0902116**	EHD4X48A**	0.99	0.95	*9MA*1202422A**
ENH4X60*24**	1.01	0.97	*8MX*0902116**	EHD4X60A**	1.00	0.94	*9MA*1202422A**
ENH4X61*24**	1.01	0.97	*8MX*0902116**	EN(A,D)4X48*24**	0.98	0.94	*9MA*1202422A**
EA*4X48*21A*	0.98	0.94	*8MX*1102120**	EN(A,D)4X61*24**	1.00	0.94	*9MA*1202422A**
EA*4X48*24A*	0.98	0.94	*8MX*1102120**	EN(A,D,W)4X60*24**	0.99	0.93	*9MA*1202422A**
EA*4X60*21A*	1.00	0.94	*8MX*1102120**	ENH4X60*24**	0.99	0.93	*9MA*1202422A**
EA*4X60*24A*	1.01	0.97	*8MX*1102120**	ENH4X61*24**	1.00	0.94	*9MA*1202422A**
EHD4X48A**	0.99	0.93	*8MX*1102120**	EA*4X48*17A*	0.98	0.98	*9MV*0801716A**
EHD4X60A**	1.01	0.93	*8MX*1102120**	EA*4X60*21A*	1.00	1.00	*9MV*0801716A**
EN(A,D)4X61*24**	1.02	0.94	*8MX*1102120**	EHD4X48A**	0.99	0.97	*9MV*0801716A**
EN(A,D,W)4X48*21**	0.99	0.93	*8MX*1102120**	EHD4X60A**	1.00	0.97	*9MV*0801716A**
ENH4X48*21**	0.99	0.93	*8MX*1102120**	EN(A,D,W)4X48*21**	0.98	0.98	*9MV*0801716A**
ENH4X60*24**	1.01	0.97	*8MX*1102120**	ENH4X48*21**	0.98	0.98	*9MV*0801716A**
ENH4X61*24**	1.01	0.97	*8MX*1102120**	EA*4X48*21A*	0.98	0.95	*9MV*0802120A**
EA*4X48*24A*	0.98	0.94	*8MX*1352420**	EA*4X48*24A*	0.98	0.98	*9MV*0802120A**
EA*4X60*24A*	1.01	0.95	*8MX*1352420**	EA*4X60*21A*	1.00	0.94	*9MV*0802120A**
EA*4X60*24A*	1.01	0.95	*8MX*1352420**	EA*4X60*24A*	1.00	0.96	*9MV*0802120A**

COOLING MULTIPLIERS FOR COMBINATION RATINGS: N4A348 (continued)

COOLING INDOOR MODEL	CAPACITY	POWER	FURNACE MODEL	COOLING INDOOR MODEL	CAPACITY	POWER	FURNACE MODEL
EHD4X48A**	0.99	0.95	*9MV*0802120A**	EA*4X48*24A*	0.98	0.95	*9MX*1202422A**
EHD4X60A**	1.01	0.95	*9MV*0802120A**	EA*4X60*24A*	1.01	0.95	*9MX*1202422A**
EN(A,D)4X48*24**	0.98	0.94	*9MV*0802120A**	EHD4X48A**	0.99	0.95	*9MX*1202422A**
EN(A,D)4X61*24**	1.01	0.97	*9MV*0802120A**	EHD4X60A**	1.01	0.95	*9MX*1202422A**
EN(A,D,W)4X48*21**	0.98	0.94	*9MV*0802120A**	EN(A,D)4X48*24**	0.99	0.95	*9MX*1202422A**
EN(A,D,W)4X60*24**	1.00	0.96	*9MV*0802120A**	EN(A,D)4X61*24**	1.02	0.96	*9MX*1202422A**
ENH4X48*21**	0.98	0.94	*9MV*0802120A**	EN(A,D,W)4X60*24**	1.01	0.95	*9MX*1202422A**
ENH4X60*24**	1.00	0.96	*9MV*0802120A**	ENH4X60*24**	1.01	0.95	*9MX*1202422A**
ENH4X61*24**	1.00	0.96	*9MV*0802120A**	ENH4X61*24**	1.01	0.95	*9MX*1202422A**
EA*4X48*21A*	0.98	0.95	*9MV*1002120A**	EA*4X48*21A*	0.99	0.95	MV16**21C*
EA*4X48*24A*	0.98	0.94	*9MV*1002120A**	EA*4X48*24A*	0.99	0.95	MV16**21C*
EA*4X60*21A*	1.00	0.94	*9MV*1002120A**	EA*4X60*21A*	1.01	0.95	MV16**21C*
EA*4X60*24A*	1.00	0.96	*9MV*1002120A**	EA*4X60*24A*	1.01	0.97	MV16**21C*
EHD4X48A**	0.99	0.95	*9MV*1002120A**	EHD4X48A**	1.00	0.94	MV16**21C*
EHD4X60A**	1.01	0.95	*9MV*1002120A**	EHD4X60A**	1.01	0.93	MV16**21C*
EN(A,D)4X48*24**	0.99	0.95	*9MV*1002120A**	EN(A,D)4X48*24**	0.99	0.95	MV16**21C*
EN(A,D)4X61*24**	1.01	0.97	*9MV*1002120A**	EN(A,D)4X61*24**	1.02	0.94	MV16**21C*
EN(A,D,W)4X48*21**	0.99	0.95	*9MV*1002120A**	EN(A,D,W)4X48*21**	0.99	0.93	MV16**21C*
EN(A,D,W)4X60*24**	1.00	0.96	*9MV*1002120A**	EN(A,D,W)4X60*24**	1.01	0.97	MV16**21C*
ENH4X48*21**	0.99	0.95	*9MV*1002120A**	ENH4X48*21**	0.99	0.93	MV16**21C*
ENH4X60*24**	1.00	0.96	*9MV*1002120A**	ENH4X60*24**	1.01	0.97	MV16**21C*
ENH4X61*24**	1.00	0.96	*9MV*1002120A**	ENH4X61*24**	1.01	0.97	MV16**21C*
EA*4X48*24A*	0.98	0.95	*9MV*1202422A**	EA*4X48*24A*	0.98	0.92	MV20**24C*
EA*4X60*24A*	1.00	0.94	*9MV*1202422A**	EA*4X60*24A*	1.00	0.94	MV20**24C*
EHD4X48A**	0.99	0.95	*9MV*1202422A**	EHD4X48A**	0.99	0.93	MV20**24C*
EHD4X60A**	1.01	0.95	*9MV*1202422A**	EHD4X60A**	1.01	0.93	MV20**24C*
EN(A,D)4X48*24**	0.99	0.95	*9MV*1202422A**	EN(A,D)4X48*24**	0.99	0.93	MV20**24C*
EN(A,D)4X61*24**	1.02	0.96	*9MV*1202422A**	EN(A,D)4X61*24**	1.01	0.93	MV20**24C*
EN(A,D,W)4X60*24**	1.00	0.94	*9MV*1202422A**	EN(A,D,W)4X60*24**	1.00	0.94	MV20**24C*
ENH4X60*24**	1.00	0.94	*9MV*1202422A**	ENH4X60*24**	1.00	0.94	MV20**24C*
ENH4X61*24**	1.00	0.94	*9MV*1202422A**	ENH4X61*24**	1.00	0.94	MV20**24C*
EA*4X48*17A*	0.98	0.98	*9MX*0801716A**	EA*4X48*21A*	0.98	0.95	NOMV156E19*
EA*4X48*21A*	0.97	0.97	*9MX*0801716A**	EA*4X60*21A*	1.00	0.96	NOMV156E19*
EA*4X60*21A*	0.99	0.99	*9MX*0801716A**	EHD4X48A**	0.99	0.96	NOMV156E19*
EHD4X48A**	0.99	0.97	*9MX*0801716A**	EHD4X60A**	1.00	0.94	NOMV156E19*
EHD4X60A**	1.00	0.97	*9MX*0801716A**	EN(A,D,W)4X48*21**	0.98	0.95	NOMV156E19*
EN(A,D,W)4X48*21**	0.98	0.98	*9MX*0801716A**	ENH4X48*21**	0.98	0.95	NOMV156E19*
ENH4X48*21**	0.98	0.98	*9MX*0801716A**	EA*4X48*21A*	0.99	0.99	OLV112A16A
EA*4X48*21A*	0.98	0.95	*9MX*0802120A**	EA*4X60*21A*	1.00	0.98	OLV112A16A
EA*4X48*24A*	0.98	0.98	*9MX*0802120A**	EHD4X48A**	0.99	0.99	OLV112A16A
EA*4X60*21A*	1.00	0.96	*9MX*0802120A**	EHD4X60A**	1.01	0.99	OLV112A16A
EA*4X60*24A*	1.00	0.96	*9MX*0802120A**	EN(A,D)4X61*24**	1.01	1.01	OLV112A16A
EHD4X48A**	0.99	0.95	*9MX*0802120A**	EN(A,D,W)4X48*21**	0.99	0.99	OLV112A16A
EHD4X60A**	1.01	0.95	*9MX*0802120A**	EN(A,D,W)4X60*24**	1.00	1.00	OLV112A16A
EN(A,D)4X48*24**	0.99	0.99	*9MX*0802120A**	ENH4X48*21**	0.99	0.99	OLV112A16A
EN(A,D)4X61*24**	1.02	0.98	*9MX*0802120A**	EA*4X48*24A*	1.00	0.98	OLV154F20A
EN(A,D,W)4X48*21**	0.99	0.96	*9MX*0802120A**	EA*4X60*24A*	1.02	0.99	OLV154F20A
EN(A,D,W)4X60*24**	1.00	0.96	*9MX*0802120A**	EHD4X48A**	1.01	0.99	OLV154F20A
ENH4X48*21**	0.99	0.96	*9MX*0802120A**	EHD4X60A**	1.03	0.99	OLV154F20A
ENH4X60*24**	1.00	0.96	*9MX*0802120A**	EN(A,D)4X48*24**	1.00	0.98	OLV154F20A
ENH4X61*24**	1.01	0.97	*9MX*0802120A**	EN(A,D)4X61*24**	1.03	0.99	OLV154F20A
EA*4X48*21A*	0.98	0.95	*9MX*1002120A**	EN(A,D,W)4X60*24**	1.02	0.99	OLV154F20A
EA*4X48*24A*	0.98	0.94	*9MX*1002120A**	ENH4X60*24**	1.02	0.99	OLV154F20A
EA*4X60*21A*	1.00	0.94	*9MX*1002120A**	ENH4X61*24**	1.02	0.99	OLV154F20A
EA*4X60*24A*	1.00	0.96	*9MX*1002120A**	EA*4X48*24A*	0.98	0.94	OMV154L20A
EHD4X48A**	0.99	0.95	*9MX*1002120A**	EA*4X60*24A*	1.00	0.94	OMV154L20A
EHD4X60A**	1.01	0.95	*9MX*1002120A**	EHD4X48A**	0.99	0.95	OMV154L20A
EN(A,D)4X48*24**	0.99	0.95	*9MX*1002120A**	EHD4X60A**	1.01	0.95	OMV154L20A
EN(A,D)4X61*24**	1.02	0.98	*9MX*1002120A**	EN(A,D)4X48*24**	0.99	0.95	OMV154L20A
EN(A,D,W)4X48*21**	0.99	0.95	*9MX*1002120A**	EN(A,D)4X61*24**	1.01	0.95	OMV154L20A
EN(A,D,W)4X60*24**	1.00	0.96	*9MX*1002120A**	EN(A,D,W)4X60*24**	1.00	0.94	OMV154L20A
ENH4X48*21**	0.99	0.95	*9MX*1002120A**	ENH4X60*24**	1.00	0.94	OMV154L20A
ENH4X60*24**	1.00	0.96	*9MX*1002120A**	ENH4X61*24**	1.01	0.95	OMV154L20A
ENH4X61*24**	1.01	0.97	*9MX*1002120A**	EA*4X48*17A*	0.98	0.98	
EA*4X48*21A*	0.98	0.95	*9MX*1002120A**	EA*4X48*24A*	1.00	1.00	

COOLING MULTIPLIERS FOR COMBINATION RATINGS: N4A348 (continued)

COOLING INDOOR MODEL	CAPACITY	POWER	FURNACE MODEL	COOLING INDOOR MODEL	CAPACITY	POWER	FURNACE MODEL
EA*4X60*21A*	1.01	0.99		EN(A,D)4X61*24**	1.02	0.99	
EA*4X60*24A*	1.01	0.99		EN(A,D,W)4X48*21**	1.00	1.00	
EHD4X48A**	1.00	1.00		EN(A,D,W)4X60*24**	1.01	0.99	
EHD4X60A**	1.02	1.00		ENH4X48*21**	1.00	1.00	
EMA4X48D**	0.98	0.98		ENH4X60*24**	1.01	0.99	
EN(A,D)4X48*24**	1.00	1.00		ENH4X61*24**	1.02	1.00	

* Tested Combination

N4A360

EVAPORATOR AIR		CONDENSER ENTERING AIR TEMPERATURES deg F																	
		75		85		95		105		115		125							
CFM	EWB	Capacity MBtuh		Total System KW	Capacity MBtuh		Total System KW	Capacity MBtuh		Total System KW	Capacity MBtuh		Total System KW	Capacity MBtuh		Total System KW			
		Total	Sens		Total	Sens		Total	Sens		Total	Sens		Total	Sens				
N4A360A(G)KC4 Outdoor Section With EA*4X60*24A* Indoor Section																			
1750	72	68.71	34.82	4.37	65.76	33.74	4.81	62.59	32.60	5.30	59.21	31.39	5.84	55.54	30.09	6.42	51.41	28.66	7.05
	67	63.16	43.00	4.29	60.43	41.90	4.74	57.50	40.73	5.23	54.39	39.50	5.77	51.03	38.20	6.36	47.32	36.77	6.99
	63	59.15	41.80	4.24	56.59	40.69	4.68	53.84	39.50	5.18	50.92	38.26	5.72	47.79	36.96	6.31	44.36	35.54	6.95
	62	58.14	51.13	4.23	55.65	49.99	4.67	53.01	48.77	5.16	50.27	47.45	5.71	47.55	47.55	6.31	44.70	44.70	6.96
	57	56.63	56.63	4.21	54.60	54.60	4.66	52.42	52.42	5.16	50.09	50.09	5.71	47.55	47.55	6.31	44.71	44.71	6.96
2000	72	69.71	36.45	4.48	66.67	35.37	4.92	63.38	34.20	5.41	59.88	32.98	5.95	56.07	31.67	6.53	51.80	30.21	7.15
	67	64.15	45.67	4.40	61.31	44.55	4.85	58.27	43.36	5.34	55.05	42.13	5.87	51.58	40.80	6.46	47.74	39.34	7.10
	63	60.14	44.30	4.35	57.47	43.18	4.79	54.61	41.98	5.28	51.60	40.73	5.82	48.36	39.39	6.42	44.82	37.93	7.06
	62	59.33	54.75	4.34	56.80	53.54	4.78	54.23	54.23	5.28	51.77	51.77	5.83	49.05	49.05	6.42	45.99	45.99	7.07
	57	58.75	58.75	4.33	56.59	56.59	4.78	54.26	54.26	5.28	51.77	51.77	5.83	49.05	49.05	6.42	46.00	46.00	7.07
2250	72	70.44	37.99	4.59	67.31	36.90	5.03	63.93	35.73	5.52	60.33	34.49	6.05	56.41	33.16	6.63	52.03	31.69	7.25
	67	64.85	48.20	4.51	61.94	47.09	4.95	58.82	45.89	5.44	55.52	44.63	5.98	51.96	43.27	6.56	48.04	41.75	7.20
	63	60.84	46.68	4.45	58.11	45.56	4.90	55.17	44.34	5.39	52.08	43.07	5.93	48.77	41.69	6.52	45.14	40.17	7.16
	62	60.44	60.44	4.45	58.18	58.18	4.90	55.72	55.72	5.40	53.10	53.10	5.94	50.23	50.23	6.54	46.99	46.99	7.18
	57	60.47	60.47	4.45	58.19	58.19	4.90	55.73	55.73	5.40	53.10	53.10	5.94	50.23	50.23	6.54	47.00	47.00	7.18

COOLING MULTIPLIERS FOR COMBINATION RATINGS: N4A360

COOLING INDOOR MODEL	CAPACITY	POWER	FURNACE MODEL	COOLING INDOOR MODEL	CAPACITY	POWER	FURNACE MODEL
*EA*4X60*24A*	1.00	1.00		EA*4X60*21A*	0.98	0.97	*9MA*1002122A**
FCM4X60***	1.01	0.95		EA*4X60*24A*	0.98	0.98	*9MA*1002122A**
FEM4X60**A*	1.02	0.97		EHD4X60A**	0.99	0.97	*9MA*1002122A**
FEM4X60**B*	0.99	0.97		EN(A,D)4X61*24**	1.00	1.00	*9MA*1002122A**
FVM4X60***	1.01	0.95		EN(A,D,W)4X60*24**	0.98	0.98	*9MA*1002122A**
FXM4X60**A*	1.01	0.95		ENH4X60*24**	0.98	0.98	*9MA*1002122A**
EA*4X60*21A*	0.98	0.97	*8MV*1102120**	ENH4X61*24**	0.99	0.99	*9MA*1002122A**
EHD4X60A**	0.99	0.97	*8MV*1102120**	EA*4X60*24A*	0.98	0.97	*9MA*1202422A**
ENH4X61*24**	0.99	0.99	*8MV*1102120**	EHD4X60A**	0.98	0.96	*9MA*1202422A**
EA*4X60*24A*	0.99	0.97	*8MV*1352422**	EN(A,D)4X61*24**	0.99	0.97	*9MA*1202422A**
EHD4X60A**	0.99	0.97	*8MV*1352422**	EN(A,D,W)4X60*24**	0.98	0.97	*9MA*1202422A**
EN(A,D)4X61*24**	1.00	0.96	*8MV*1352422**	ENH4X60*24**	0.98	0.97	*9MA*1202422A**
EN(A,D,W)4X60*24**	0.98	0.96	*8MV*1352422**	ENH4X61*24**	0.98	0.97	*9MA*1202422A**
ENH4X60*24**	0.98	0.96	*8MV*1352422**	EA*4X60*21A*	0.98	0.98	*9MV*0802120A**
ENH4X61*24**	0.99	0.97	*8MV*1352422**	EHD4X60A**	0.99	0.99	*9MV*0802120A**
EA*4X60*21A*	0.98	0.96	*8MX*1102120**	EA*4X60*21A*	0.98	0.97	*9MV*1002120A**
EA*4X60*24A*	0.99	0.99	*8MX*1102120**	EHD4X60A**	0.99	0.97	*9MV*1002120A**
EHD4X60A**	0.99	0.97	*8MX*1102120**	EN(A,D)4X61*24**	1.00	1.00	*9MV*1002120A**
ENH4X60*24**	0.99	0.99	*8MX*1102120**	EA*4X60*24A*	0.98	0.98	*9MV*1202422A**
ENH4X61*24**	0.99	0.99	*8MX*1102120**	EHD4X60A**	0.99	0.97	*9MV*1202422A**
EA*4X60*24A*	0.98	0.96	*8MX*1352420**	EN(A,D)4X61*24**	1.00	0.98	*9MV*1202422A**
EHD4X60A**	0.99	0.97	*8MX*1352420**	EN(A,D,W)4X60*24**	0.98	0.98	*9MV*1202422A**
EN(A,D)4X61*24**	1.00	0.97	*8MX*1352420**	ENH4X60*24**	0.98	0.98	*9MV*1202422A**
EN(A,D,W)4X60*24**	0.98	0.96	*8MX*1352420**	ENH4X61*24**	0.99	0.99	*9MV*1202422A**
ENH4X60*24**	0.98	0.96	*8MX*1352420**	EA*4X60*21A*	0.98	0.97	*9MX*0802120A**
ENH4X61*24**	0.98	0.96	*8MX*1352420**	EHD4X60A**	0.98	0.97	*9MX*0802120A**
EA*4X60*21A*	0.97	0.97	*9MA*0602120A**	EN(A,D)4X61*24**	0.99	0.99	*9MX*0802120A**
EHD4X60A**	0.97	0.97	*9MA*0602120A**	EA*4X60*21A*	0.98	0.98	*9MX*1002120A**
EA*4X60*21A*	0.97	0.97	*9MA*0802120A**	EHD4X60A**	0.99	0.97	*9MX*1002120A**
EHD4X60A**	0.98	0.97	*9MA*0802120A**	EN(A,D)4X61*24**	1.00	1.00	*9MX*1002120A**
EN(A,D)4X61*24**	0.99	0.99	*9MA*0802120A**	EA*4X60*24A*	0.98	0.97	*9MX*1202422A**

COOLING MULTIPLIERS FOR COMBINATION RATINGS: N4A360 (continued)

COOLING INDOOR MODEL	CAPACITY	POWER	FURNACE MODEL	COOLING INDOOR MODEL	CAPACITY	POWER	FURNACE MODEL
EHD4X60A**	0.99	0.97	*9MX*1202422A**	ENH4X60*24**	0.99	0.97	MV20**24C*
EN(A,D)4X61*24**	0.99	0.97	*9MX*1202422A**	ENH4X61*24**	0.99	0.97	MV20**24C*
EN(A,D,W)4X60*24**	0.98	0.97	*9MX*1202422A**	EHD4X60A**	0.99	0.99	NOMV156E19*
ENH4X60*24**	0.98	0.97	*9MX*1202422A**	EA*4X60*24A*	0.98	0.98	OMV154L20A
ENH4X61*24**	0.98	0.97	*9MX*1202422A**	EHD4X60A**	0.99	0.99	OMV154L20A
EA*4X60*21A*	0.99	0.97	MV16**21C*	EN(A,D)4X61*24**	1.00	0.98	OMV154L20A
EA*4X60*24A*	0.99	0.99	MV16**21C*	EN(A,D,W)4X60*24**	0.98	0.98	OMV154L20A
EHD4X60A**	1.00	0.97	MV16**21C*	ENH4X60*24**	0.98	0.98	OMV154L20A
EN(A,D)4X61*24**	1.01	1.01	MV16**21C*	ENH4X61*24**	0.99	0.99	OMV154L20A
EN(A,D,W)4X60*24**	0.99	0.99	MV16**21C*	EA*4X60*21A*	0.99	0.99	
ENH4X60*24**	0.99	0.99	MV16**21C*	EHD4X60A**	1.01	1.01	
ENH4X61*24**	1.00	1.00	MV16**21C*	EN(A,D)4X61*24**	1.02	1.00	
EA*4X60*24A*	0.99	0.97	MV20**24C*	EN(A,D,W)4X60*24**	1.00	1.00	
EHD4X60A**	0.99	0.97	MV20**24C*	ENH4X60*24**	1.00	1.00	
EN(A,D)4X61*24**	1.00	0.97	MV20**24C*	ENH4X61*24**	0.99	0.97	
EN(A,D,W)4X60*24**	0.99	0.97	MV20**24C*				

* Tested Combination

Total sensible capacities are based on net capacities. Blower heat has been subtracted.

Sensible capacities shown are based on 80° F (27° C) entering air at the indoor coil. For sensible capacities at other than 80° F (27° C), deduct 835 Btuh (245 kW) per 1000 CFM (480 L/S) of indoor coil air for each degree below 80° F (27° C), or add 835 Btuh (245 kW) per 1000 CFM (480 L/S) of indoor coil air per degree above 80° F (27° C).

Detailed cooling and heating capacities are based on indoor and outdoor unit at the same elevation per AHRI standard 210/240 -2008. If additional tubing length is required and/or indoor unit is located above outdoor unit, a slight variation in capacity may occur.

System kw is total of indoor and outdoor unit kilowatts.

ACCESSORY USAGE GUIDELINES		
Accessory	REQUIRED FOR LOW-AMBIENT APPLICATIONS {Below 55°F (13°C)}	REQUIRED FOR LONG-LINE APPLICATIONS* {Over 80 ft. (24.4m)}
Crankcase Heater	Yes	Yes
Evaporator Freeze Thermostat	Yes	No
Winter Start Control	Yes **	No
Hard Start Kit (Capacitor & Relay)	Yes	Yes
Low Ambient Kit (Pressure Switch)	Yes	No
Support Feet, 4" (102mm) tall	Recommended	No
Liquid Line Solenoid Valve	No	See Long-Line Application Guideline

* Refer to the Long Line Application Guideline document.

** Can only be installed in conjunction with Low Pressure Switch.

ACCESSORIES		
Part Number	Description	Used On Model Size
NASA003CH	Crankcase Heater for Scroll Compressor (208/230 V)	18, 24, 30
NASA001CH	Crankcase Heater for Scroll Compressor (208/230 V)	36, 42, 48, 60
NASA004CH	Crankcase Heater for Scroll Compressor (460 V)	36
NASA00301CH	Crankcase Heater for Scroll Compressor (460 V)	42, 48, 60
NASA00701CH	Crankcase Heater for Scroll Compressor (575 V)	36
NASA00801CH	Crankcase Heater for Scroll Compressor (575 V)	48, 60
NASA001SC	Start Component - PTC Device	ALL
NASA001FS	Evaporator Freeze Thermostat	ALL
NASA403PS	Low Pressure Switch, AC, R-410A	ALL
NASA401LS	Liquid Line Solenoid Valve, R-410A	ALL
NASA001TD	Time Delay Relay, Indoor Blower	ALL
NASA00201WS	Winter Start Control	ALL
NASA001AC	Anti-Cycle Timer (5 minute delay)	ALL
NASA404PS	High Pressure Switch, AC or HP, R-410A	ALL
NASA005SC	Hard Start Kit (Capacitor & Relay)	ALL
NASA401LA	Low Ambient Kit (Pressure Switch), R-410A	ALL
NASA001SF	Support Feet, 4" (102mm) tall	ALL
NASA001SJ	Sound Jacket, Compressor	18, 24, 30, 36, 42, 48
NASA003SJ	Sound Jacket, Compressor	60
EBAC05TXVX	TXV Kit, R-410A - 2005-2009 R-22 TXV Fancoils (air handlers)	18, 24, 30
EBAC06TXVX	TXV Kit, R-410A - 2005-2009 R-22 TXV Fancoils (air handlers)	36, 42
EBAC07TXVX	TXV Kit, R-410A - 2005-2009 R-22 TXV Fancoils (air handlers)	48, 60
NAEA40501TX	TXV Kit, R-410A - 2010 and later Piston Coils	18, 24, 30
NAEA40601TX	TXV Kit, R-410A - 2010 and later Piston Coils	36, 42
NAEA40701TX	TXV Kit, R-410A - 2010 and later Piston Coils	48, 60