

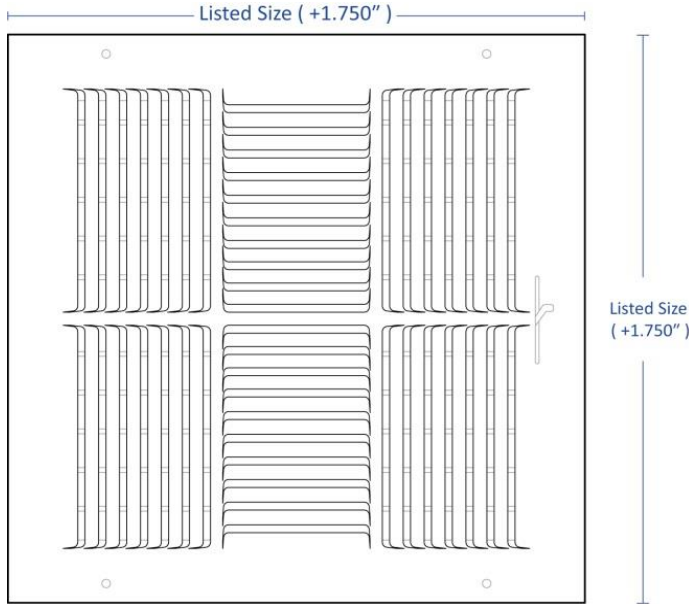
Submitted by: _____

Date: _____

Stamped Face Supply

Ceiling

Model:



Available Options

- Multi-shutter Damper
- Opposed Blade Damper

104M

Multi-Shutter Damper

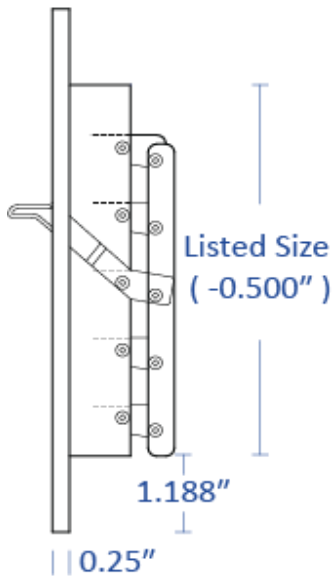
104-O

Opposed Blade Damper

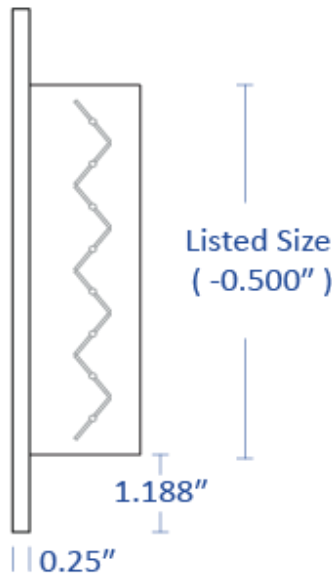
Model Features

- Stamped 4 way pattern
- 1/2" fin spacing
- Durable white powder coat finish

±1 7/16"±



±1 11/16"±



Material: Steel

Face: Stamped

Model Size:

Project Name: _____

Architect: _____

Project Location: _____

Engineer: _____

Contractor: _____