

Models 4897 & 4898 Upgrade Kit for Media Air Cleaners Installation Instructions



⚠ WARNING

Sharp edges may cause injury from cuts. Use caution when handling sheet metal.

⚠ CAUTION

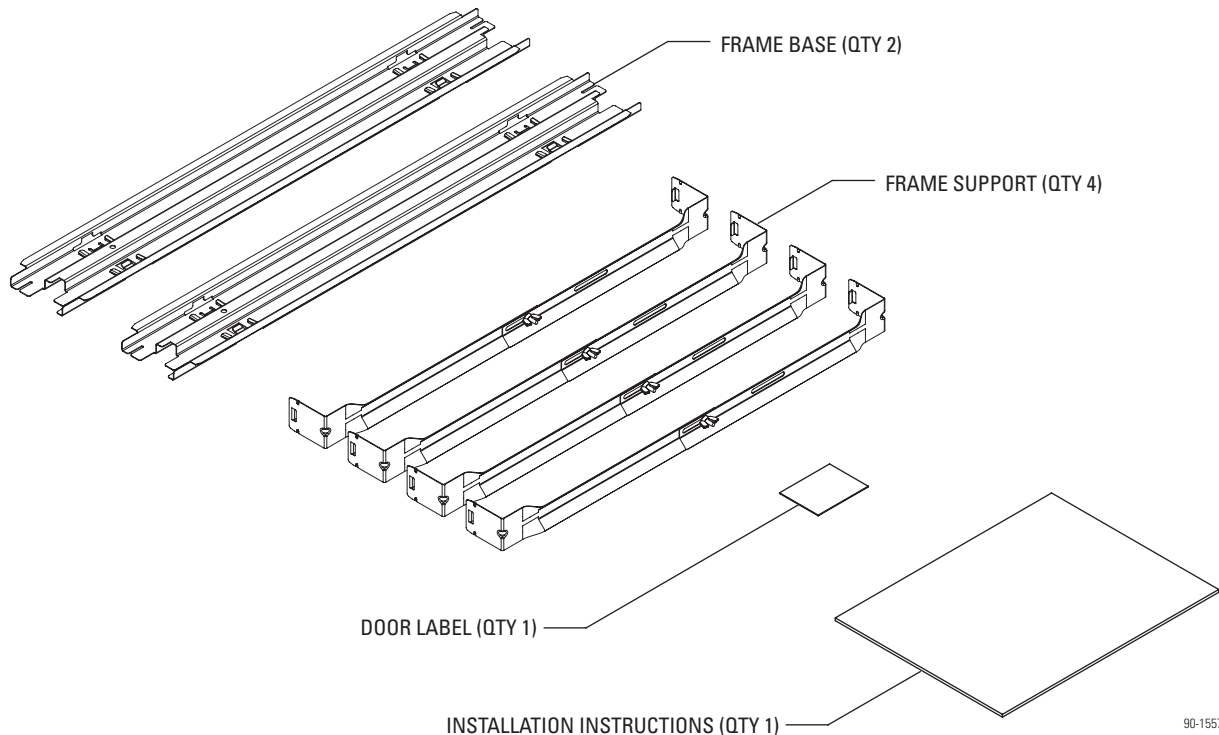
1. Read instructions thoroughly before beginning installation.
2. Do not install the upgrade kit in a location where the media will be in direct exposure to UV light. UV lights will cause degradation of the filtering media.

APPLICATION

Upgrade Kit	Fits Air Cleaner Size	Filter Thickness	Fits Air Cleaner Models by:
Model 4897	16" x 25"	4" Thick	Carrier General Honeywell Lennox Trion Ultravation
	20" x 25"		
Model 4898	16" x 20"		
	20" x 20"		

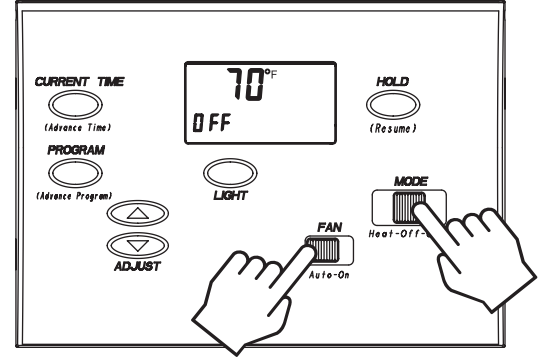
Refer to the specification sheet for specific model numbers located at www.aprilairepartners.com in the Literature and Manuals section.

CONTENTS OF PACKAGE



INSTALLATION

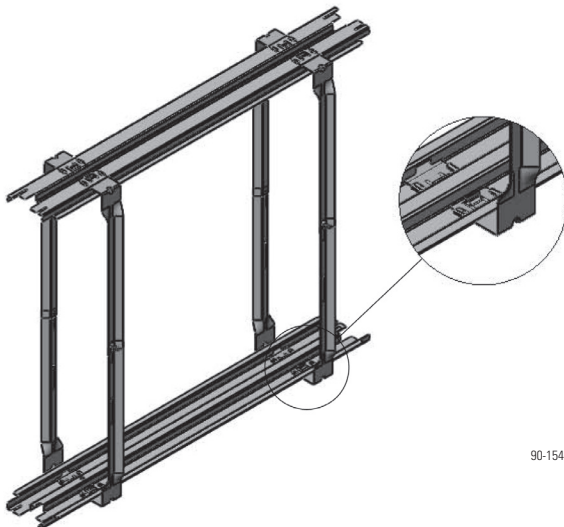
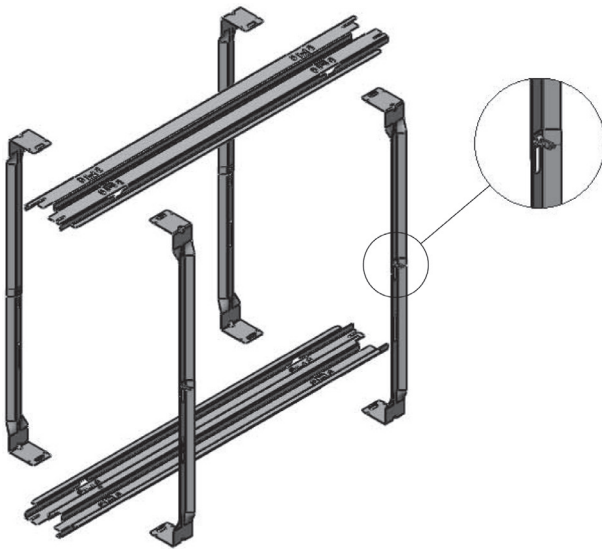
1. **IMPORTANT:** Turn the thermostat mode to OFF and fan to AUTO.



90-1385

2A. FOR 20" x 20" AND 20" x 25" AIR CLEANERS

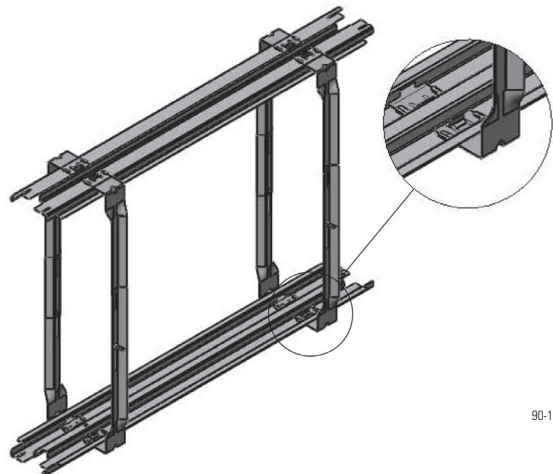
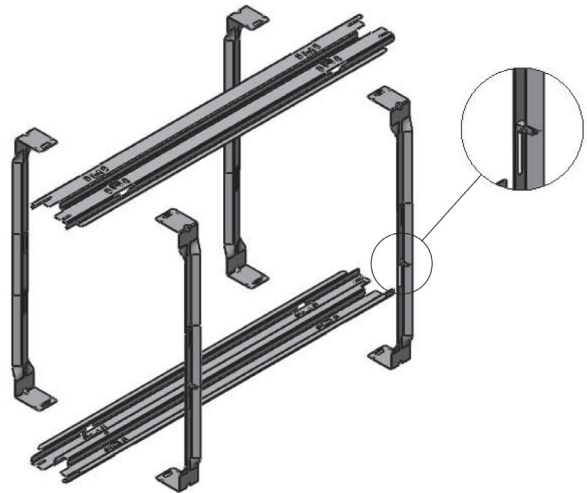
- Snap frame supports into frame base as shown – eight (8) places. **Make sure the support slides in and hits the center rail of the frame base.**
- Adjust supports height to height of air cleaner.



90-1549

2B. FOR 16" x 20" AND 16" x 25" AIR CLEANERS

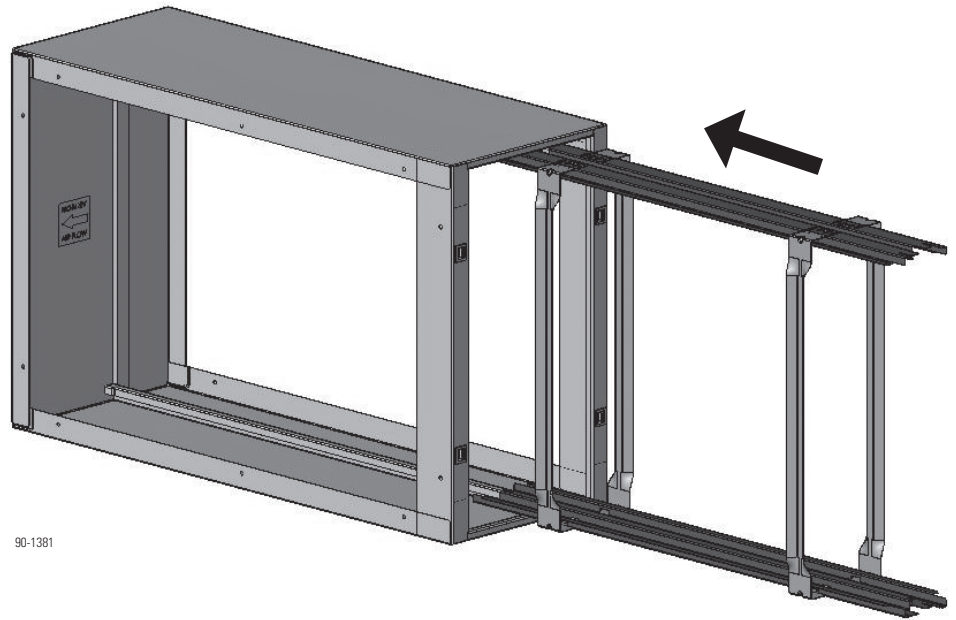
- Frame supports must be shortened. Remove wing nuts and re-assemble supports in upper slots.
- Snap frame supports into frame base as shown – eight (8) places. **Make sure the support slides in and hits the center rail of the frame base.**
- Adjust supports height to height of air cleaner.



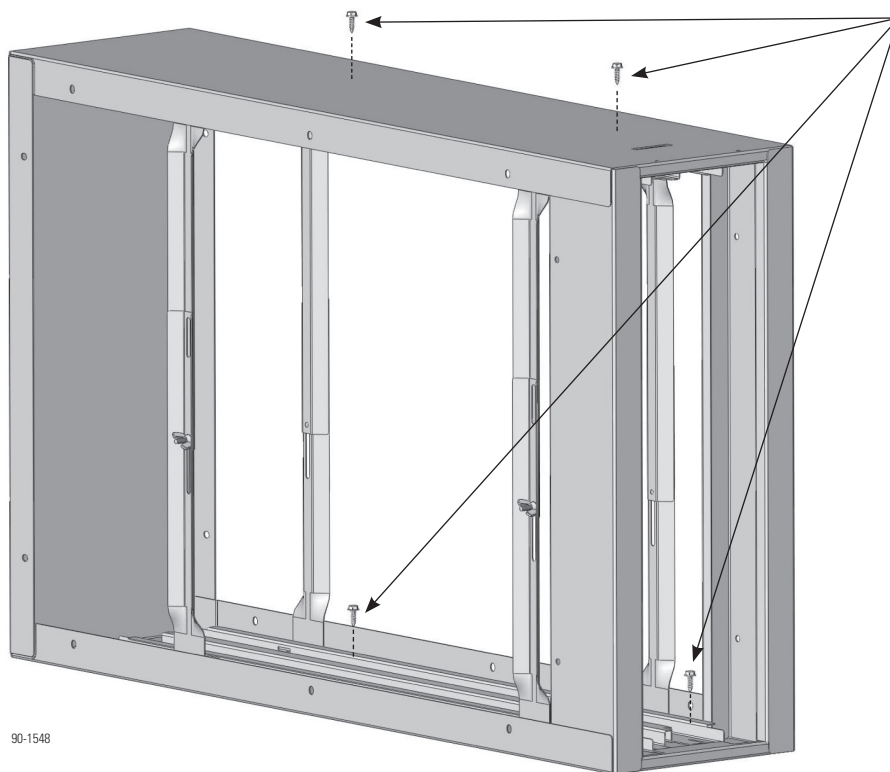
90-1549

3. Remove the door from the air cleaner.

4. Slide the upgrade kit completely into the air cleaner housing.



90-1381

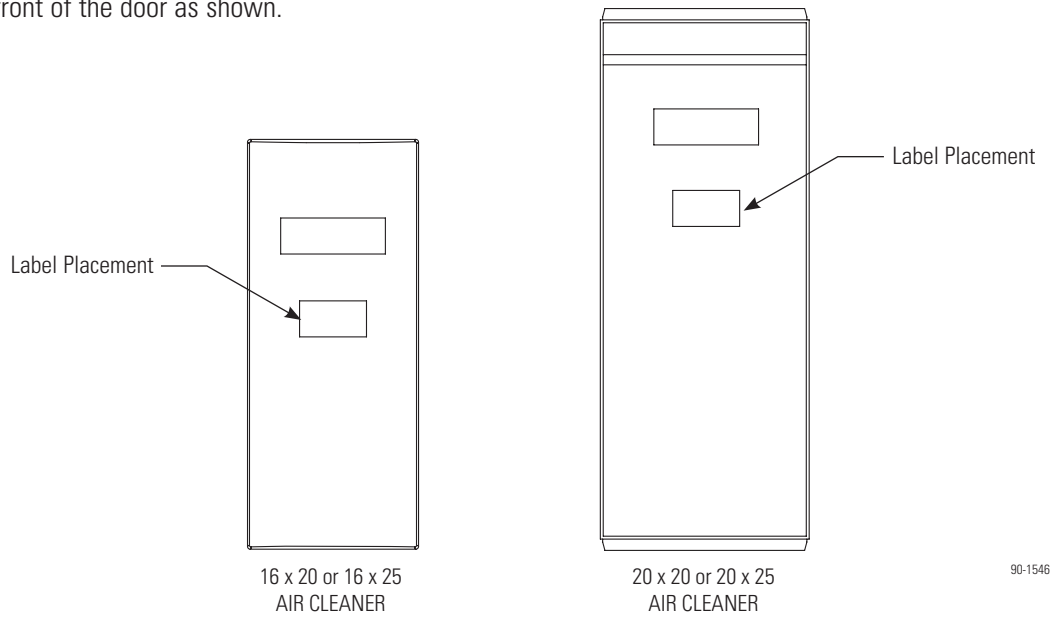


5. Secure the frame to the outer housing using four 1/2" long sheet metal screws.

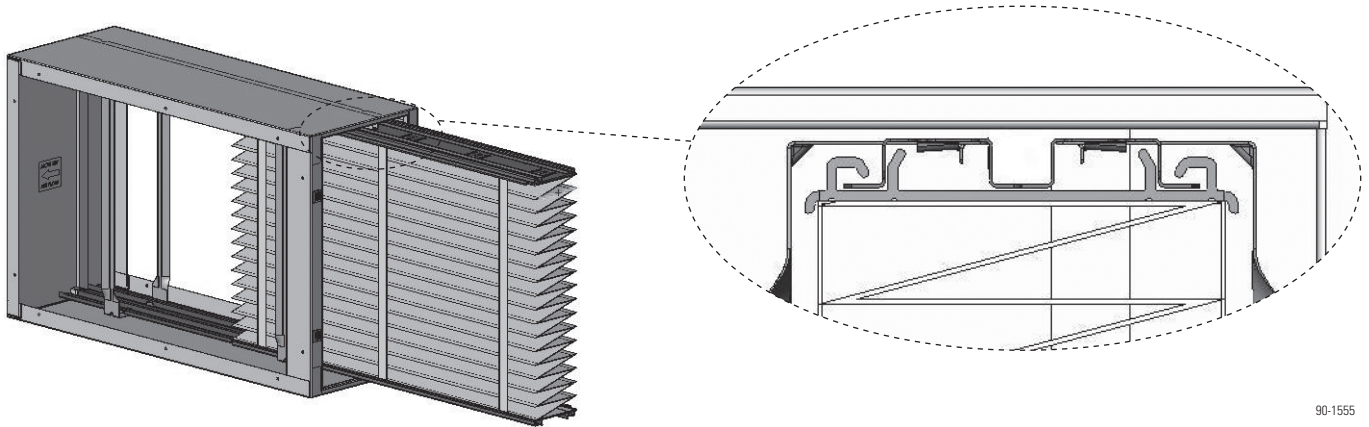
Note: Screws must not interfere with filter installation.

90-1548

6. Apply the door label to the front of the door as shown.



7. Install the media into the Upgrade Kit frame using the directions on the filtering media sleeve to ensure the media is in the correct orientation; the outlet side of the media is the expanded metal side.



8. Install the air cleaner door.
9. Return the thermostat mode and fan to the desired setting.

