

HumidiPRO™ Digital Humidity Control

H6062A1000

SPECIFICATION DATA

Specifications

Part Number:	H6062A1000
Supply Voltage:	18 to 30 VAC (50/60 Hz)
Amps:	0.1 A, 2 VA

Dimensions (See Fig. 1):

Width:	3.4 in.
Height:	1.27 in.
Length:	4.5 in.
Weight:	0.5 lbs

Shipping Dimensions:

Width:	4.05 in.
Height:	2.55 in.
Length:	5.88 in.
Weight:	0.67 lbs

Humidity Ranges:

- Humidify Control Range:
 - 20 - 60 % (Automatic mode)
 - 10 - 90 % (Manual mode)
- Dehumidify Control Range:
 - 40 - 80 % (Automatic mode)
 - 10 - 90 % (Manual mode)
- Operating Ambient Temperature
 - 32 to 120 °F (0 to 48.9 °C)
- Operating Relative Humidity
 - 5 to 95 %, non-condensing

Relative Humidity Accuracy: +/- 5 % RH

For more information call 1-800-468-1502 or visit our website at customer.honeywell.com.

Application and Benefits

HumidiPRO offers homeowners convenience and control with automatic and manual control options as well as optional advanced features such as expandable range stops and dehumidification.

HumidiPRO automatically adjusts humidity to protect windows from condensation in cold weather and can shut off humidification based on a preset outdoor high temperature limit (up to 90 °F). The homeowner can set HumidiPRO once at the beginning of a season and forget it. If needed, the homeowner can use the humidity boost feature to temporarily raise the humidity by 5% or 10%.

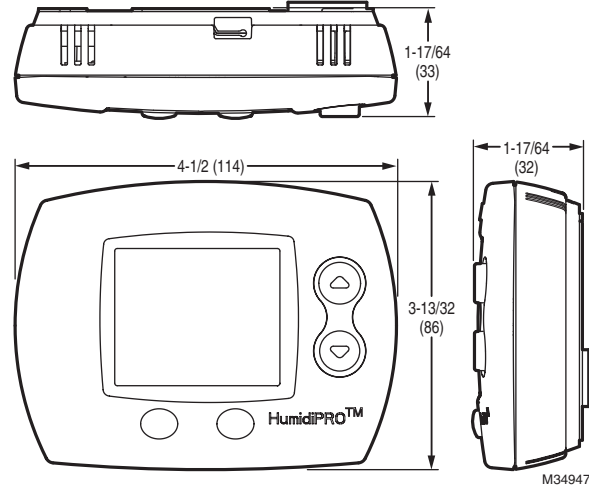


Fig. 1. Dimensions in inches (mm).

Honeywell HumidPRO™ Frost Index

The table below shows the levels of humidity HumidiPRO delivers based on the outdoor temperature and window protection settings.

	Outdoor Temp						
	-10°F	0°F	10°F	20°F	30°F	40°F	
Frost Index	1	10 10	10 10	11 11	17 17	25 25	35 36
	2	10 10	10 10	15 15	21 21	29 29	35 39
	3	10 10	14 14	19 19	26 26	34 34	35 46
	4	15 15	19 19	25 25	32 32	35 39	35 52
	5	21 21	26 26	32 32	35 38	35 48	35 58
	6	29 29	34 34	35 39	35 48	35 56	35 60
	7	35 39	35 46	35 52	35 58	35 60	35 60
	8*	35 56	35 60	35 60	35 60	35 60	35 60
	9	35 60	35 60	35 60	35 60	35 60	35 60
	10	35 60	35 60	35 60	35 60	35 60	35 60

*Black Numbers show highest humidity allowed when Default RH% (35%) is Selected.
 Note: Smaller grey numbers show highest humidity allowed when Maximum RH% (60%) is selected.

Job Name	
Engineer	
Mechanical Contractor	
Contractor's P.O. No.	
Representative	
Notes	

Model(s)	Qty.
H6062A1000	
Approval	
Service	
Tag. No.	



33-00003-01

Automation and Control Solutions

Honeywell International Inc.
1985 Douglas Drive North
Golden Valley, MN 55422

<http://customer.honeywell.com>

Honeywell

© U.S. Registered Trademark.
© 2013 Honeywell International Inc.
33-00003—01 M.S. 07-13
Printed in U.S.A.