



Date:  
12/1/2017

Weights:  
94lbs/42.64kg

Units:

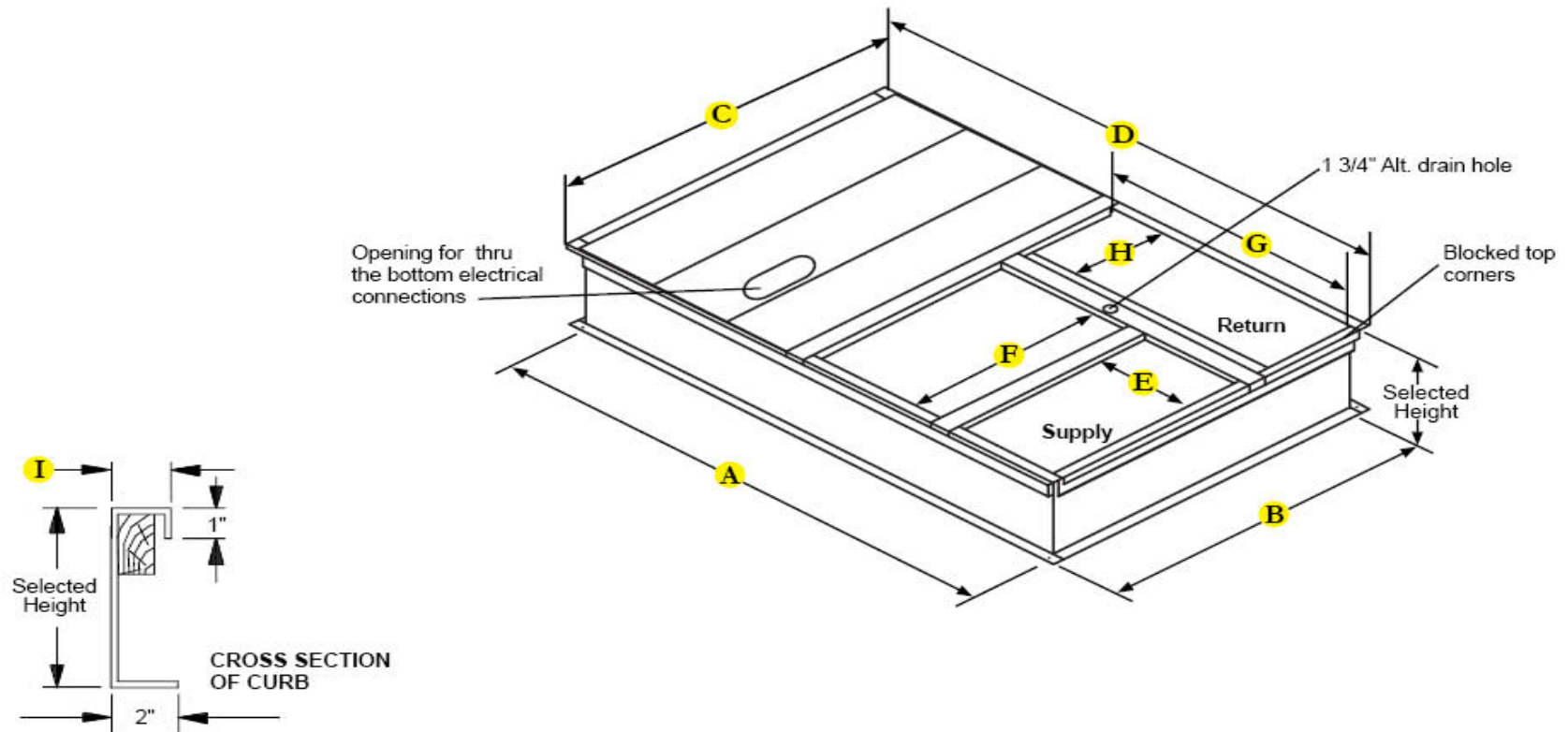
Part Number:  
0537-014A-00010

Submitted To:

Job:

Notes:

14 Inches Tall Non Insulated Full Perimeter Knockdown Roof Curb Without Pitch, Insulated Deck Pan If Applicable, Includes Wood Nailers.



A - I.D.	B - I.D.	C - O.D.	D - O.D.	E	F	G	H	I
67.37	37.18	40.68	70.87	13.87	20.25	32.06	13.62	1.75

The Information contained in this drawing is the sole property of Micrometl Corporation. Any reproduction in part or whole without the written permission of Micrometl Corporation is prohibited.