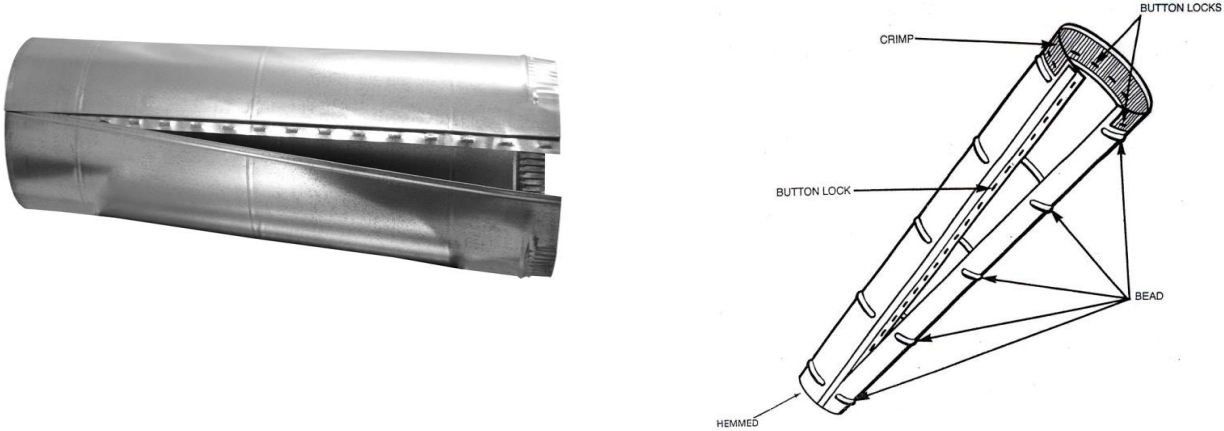


Cody Company, Inc.

#103-#104-#105 SNAPLOCK GALVANIZED DUCT PIPE



- Constructed of ASTM-A653 CS Type B Galvanized Steel.
- Standard and SMACNA Gauge reference with sizes below.
- Buttons on crimped ends of 30 & 28 gauge only, 4” through 18” STD GA pipe. Eliminates the need for sheet metal screws.
- Reinforcement beads are placed every 12” apart beginning 6” from the hemmed end.
- Snaplock seam technology is available in Standard Gauge 4” thru 18”.

Standard Gauges	
3” to 12”	30GA
14” to 18”	28GA
20” to 24”	26GA

SMACNA Gauges	
4” to 14”	28GA
16” to 18”	26GA
20” to 24”	24GA

#103 3’ – 30’ per bundle

#104 4’ – 40’ per bundle

#105 5’ – 50’ per bundle

***Note: BUTTON ON CRIMPED END ON STD GA ONLY 4” THROUGH 18”**

Submittal Approval:

Job: _____
 Location: _____
 Engineer _____

PO No: _____
 Job No: _____
 Representative: _____

APPROVED for CONSTRUCTION:

By: _____ Title: _____ Date: _____

4200 I 45, P.O. Box 1320, Ennis, TX 75120 Tel. (972) 875-5884 Fax (972) 875-0308
 7951 East Evans Rd., San Antonio, TX 78266 Tel. (210) 651-5305 Fax (210) 651-5660

www.codycompany.com