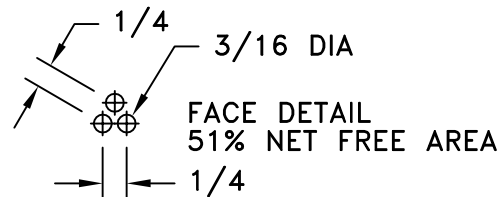
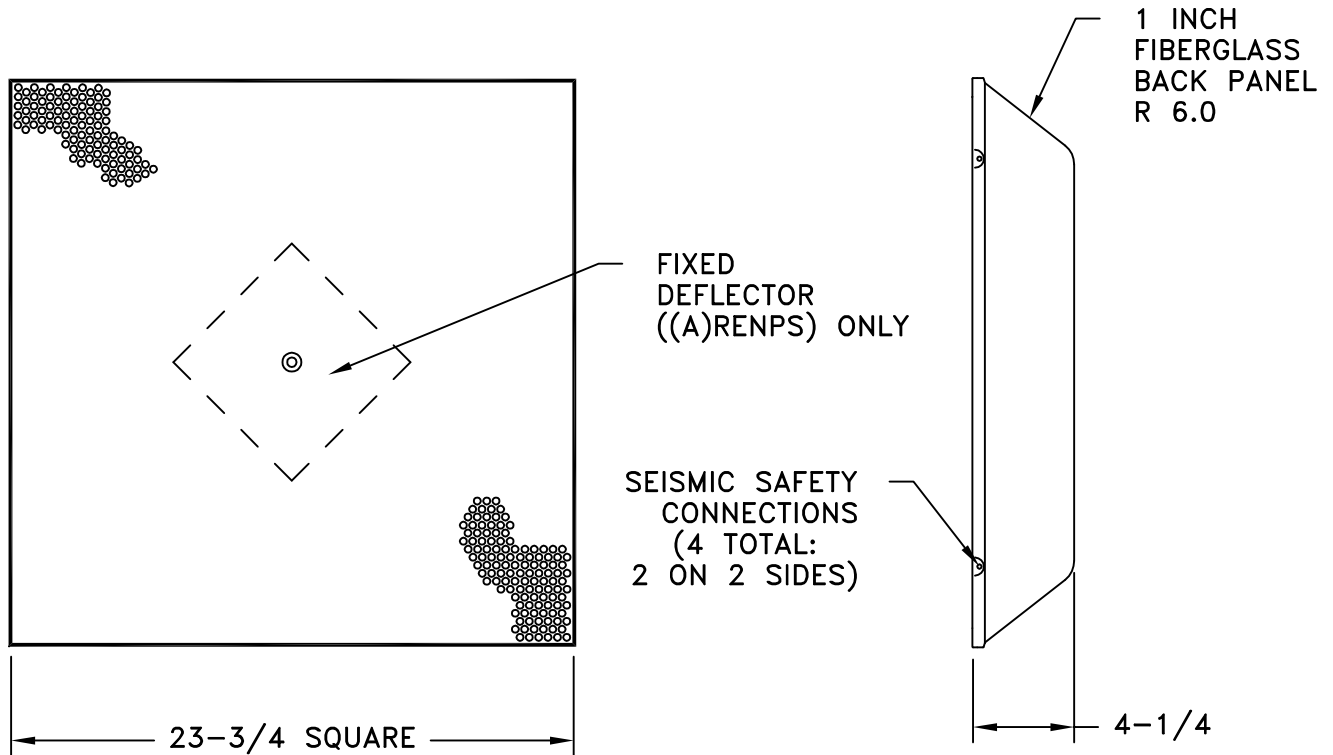


- FITS STANDARD 2' X 2' T-BAR CEILING SYSTEMS
- DIRECTIONAL DEFLECTOR INCLUDED ON MODEL RENPS
- BONDED FOIL VAPOR BARRIER HELPS MINIMIZE CONDENSATION PROBLEMS
- FIBERGLASS BACK R 6.0 ABSORBS SOUND
- PRESCORED BACK ACCEPTS 6 TO 18 INCH SPIN OR TAB COLLARS
- FINISH: WHITE (W)
- ARENP(S): ALUMINUM PERFORATED FACE



JOB NAME: _____	SUBMITTED BY: _____	DATE: 04/09/2013	SD-9487
LOCATION: _____		<b>(A)RENP, (A)RENPS- R6</b> Perforated T-Bar Diffusers Fiberglass Back	
ARCHITECT: _____			
ENGINEER: _____			
CONTRACTOR: _____			