







# Totaline® Indoor Air Quality

## Table Of Contents

<b>Totaline® IAQ Filtration Products</b>	<b>Page</b>
Whole-House True HEPA Air Cleaners .....	4, 5
Whole House Duct Mount HEPA Air Cleaner .....	6, 7
Mobile True HEPA & VOC Air Cleaner .....	8, 9
Electronic Air Cleaners .....	10, 11
High Efficiency Media Retrofit Air Cleaners .....	12, 13
High Efficiency Media Air Cleaners .....	14, 15
Whole-House Over-Sized Media Air Cleaner .....	16, 17
Whole-House Right Angle Media Air Cleaner .....	18, 19
Return Grille Mount Electronic Air Cleaner .....	20, 21
1" Electronic Air Cleaner .....	22, 23
EZ Flex Adjustable Filters .....	24, 25
EZ Flex Adjustable Filter's Return Air Filter Grille .....	26, 27
EZ Flex Adjustable Filter's Filter Cabinet .....	28, 29
Filter Housing for Gas Furnaces .....	30, 31
Filter Housing for Electric Air Handlers .....	32
Filter Housing Media Air Cleaners for Gas Furnaces .....	33
Filter Housing for Gas and Electric Air Handlers .....	34
Media Air Cleaner Platforms for Gas & Electric Furnaces .....	35
<b>Totaline® IAQ Humidity Control Products</b>	
Fan and Bypass Humidifiers .....	36, 37
<b>Totaline® IAQ Safety Products</b>	
4-Wire Duct Smoke Detectors .....	38 - 41
<b>Totaline® IAQ Source Control Products</b>	
Totaline® UVC Germicidal Object Irradiators Residential UV Lights .....	42 - 43
<b>Totaline® IAQ Ventilation Products</b>	
Heat and Recovery Ventilators .....	44



# Totaline® Whole-House True HEPA Air Cleaners

## P102-350, P102-450, P102-550A, P102-650

The Totaline® True HEPA Air Cleaner has been designed to remove 99.97% of atmospheric and household dust, coal dust, insecticide dust, mites, pollen, mold spores, fungi, bacteria, viruses, pet dander, cooking smoke and grease, tobacco smoke particles, and more down to 0.3 micron (1/84,000 of an inch) on the first pass of air. As the HEPA filter becomes dirtier with time, it becomes more efficient and can capture particles as small as 0.001 micron.

Ideal for homes with allergy, asthma or respiratory sufferers, smokers, pets, cooking odors and mustiness.

Helps protect and prolong the operating efficiency of the heating and cooling equipment.



### Standard Features

- Long-life, Certified True HEPA (High Efficiency Particulate Air) Filter is a minimum 99.97% efficient at removing particles 0.3 micron in size.
- Activated Carbon Prefilter removes lint and unpleasant odors, to extend life of HEPA Filter.
- Carbon Volatile Organic Compound (VOC) After Filter removes additional unpleasant odors and gases (included with Model P102-550A).
- Carbon/Potassium Permanganate VOC Filter removes heavy duty odors and gases (optional upgrade for model P102-550A only).
- Easy to change filters.
- Powerful European Motor delivers between 245 to 560 cfm of filtered air, depending on the model (with filters installed).
- Plug in Power Cord. No electrical wiring.
- Versatile installation can be freestanding, floor, ceiling or wall mounted.

### Cabinet Construction Features

- Heavy gauge steel cabinet and powder coat paint finish resist corrosion and provide rigid installation and durability.

### Warranty

- Five Year Limited Parts

PART NUMBER	DESCRIPTION	REPLACE
P102-60840	Certified True HEPA Filter Cylinder for P102-650	2-4 years
P102-60855	Carbon Prefilter Blanket for P102-650	3-6 months
P102-60810	Inner Carbon VOC Blanket (optional) for P102-650	3-6 months
P102-1919-6A	True HEPA Filter 6" for P102-550A	3-5 years
P102-1919-1	Carbon Prefilter 1" for P102-550A	3-6 months
P102-1919-2	Carbon VOC After Filter 2" for P102-550A (standard)	6-12 months
P102-1919-2A	Carbon/Potassium Permanganate VOC After Filter 2" for P102-550A	6-12 months
P102-40840	Certified True HEPA Filter Cylinder for P102-450	2-4 years
P102-60855	Carbon Prefilter Blanket for P102-450	3-6 months
P102-40810	Inner Carbon VOC Blanket (optional) for P102-450	3-6 months
P102-30840	Certified True HEPA Filter Cylinder for P102-350	2-3 years
P102-30855	Carbon Prefilter Blanket for P102-350	3-6 months
P102-30810	Inner Carbon VOC Blanket (optional) for P102-350	3-6 months



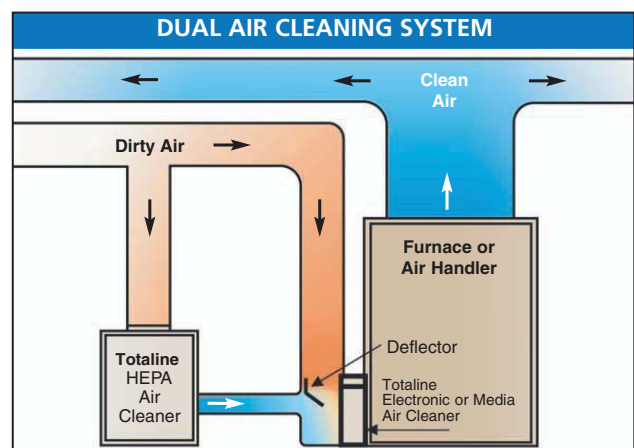
Universal HVAC/R  
Parts and Supplies

## Specifications

MODELS	P102-350	P102-450	P102-550A	P102-650
<b>Air Flow: with all standard filters installed</b>	245 cfm 416.5 m <sup>3</sup> /hr	330 cfm 561 m <sup>3</sup> /hr	560 cfm 952 m <sup>3</sup> /hr	540 cfm 918 m <sup>3</sup> /hr
<b>Whole-House Air Changes/Day</b>				
1500 ft <sup>2</sup> home	30 air changes/day	40 air changes/day	67 air changes/day	65 air changes/day
2500 ft <sup>2</sup> home	18 air changes/day	24 air changes/day	41 air changes/day	39 air changes/day
<b>Carbon VOC Prefilter</b>	2.45 ft <sup>2</sup> 0.23 m <sup>2</sup>	3.75 ft <sup>2</sup> 0.35 m <sup>2</sup>	6.3 ft <sup>2</sup> 0.585 m <sup>2</sup>	5.1 ft <sup>2</sup> 0.47 m <sup>2</sup>
<b>Carbon True HEPA Filter</b>	65 ft <sup>2</sup> 6.04 m <sup>2</sup>	100 ft <sup>2</sup> 9.29 m <sup>2</sup>	188 ft <sup>2</sup> 17.47 m <sup>2</sup>	133 ft <sup>2</sup> 12.4 m <sup>2</sup>
<b>Carbon VOC After Filter</b>	see options	see options	9.5 ft <sup>2</sup> / 0.883 m <sup>2</sup>	see options
<b>Power</b>	120 volt, 60 Hz 70 watts	120 volt, 60 Hz 125 watts	120 volt, 60 Hz 215 watts	120 volt, 60 Hz 215 watts
<b>Plug-In Power Cord</b>	10 ft 3.05 m	10 ft 3.05 m	10 ft 3.05 m	10 ft 3.05 m
<b>Cabinet Dimensions L x W x H</b>	18.25 x 18.25 x 19.25 in 46.4 x 46.4 x 48.9 cm	18 x 18 x 24.5 in 45.7 x 45.7 x 62.2 cm	21.5 x 20.5 x 28.4 in 54.5 x 52.0 x 72.0 cm	18 x 18 x 30.5 in 45.7 x 45.7 x 77.5 cm
<b>Intake Duct Fitting</b>	8 in 20.3 cm	8 in 20.3 cm	12 in 30.5 cm	12 in 30.5 cm
<b>Outflow Duct Fitting: reversible</b>	6 in / 15.2 cm 1 Opening	6 in / 15.2 cm 2 Openings	8 in / 20.3 cm 2 Openings	8 in / 20.3 cm 2 Openings
<b>Unit Weight</b>	38 lbs (17.4 kg)	51 lbs (23.1 kg)	88 lbs (39.9 kg)	57 lbs (25.9 kg)
<b>Options Available</b>	Carbon VOC After Filter 1.39 ft <sup>2</sup> / 0.13 m <sup>2</sup>	Carbon VOC After Filter 2.13 ft <sup>2</sup> / 0.20 m <sup>2</sup>	Carbon / Potassium Permanganate VOC After Filter for removal of noxious odors and gases 9.5 ft <sup>2</sup> / 0.883 m <sup>2</sup>	Carbon VOC After Filter 2.87 ft <sup>2</sup> / 0.27 m <sup>2</sup>

### HOW IT WORKS

Millions of airborne particulates and gases travel through the heating/cooling system 4-5 times every hour. The HEPA Air Cleaner connects to the return air duct and diverts 1/3 to 1/2 of this dirty air through a tightly sealed 3-stage filtration system. A home can reach as many as 67 whole house air changes/day depending on the house size and model chosen. And when a Totaline High Efficiency Electronic or Media Air Cleaner is added to the return air, the home can achieve 96+ whole-house air changes/day (with system fan on continuous).



# Totaline® Whole-House Duct Mount HEPA Air Cleaners

## P102-400DM

The Totaline Whole House Duct Mount HEPA Air Cleaner has been designed to remove atmospheric and household dust, coal dust, insecticide dust, mites, pollen, mold spores, fungi, bacteria, viruses, pet dander, cooking smoke and grease, tobacco smoke particles, and more down to 0.3 micron (1/84,000 of an inch) with 99.97% efficiency on the first pass of air.

It's ideal for homes that have tight space conditions in their furnace/air conditioning rooms. This unit is compact and can be installed directly on the return air vent. It can also be mounted directly to the furnace and collar mounted to the return air duct to save space.

Ideal for homes with allergy, asthma or respiratory sufferers, smokers, pets, cooking odors and mustiness.

Helps protect and prolong the operating efficiency of the heating and cooling equipment.

### Standard Features

- Highly Efficient MERV 11 Prefilter removes lint and hair before they enter HEPA filter.
- Activated Carbon Prefilter removes odors to extend the life of the HEPA filter.
- Long-life, 99.97% HEPA Media Filter removes particles 0.3 micron (1/84,000 of an inch) and larger. The HEPA filter becomes more efficient as it becomes dirtier with time.
- Powerful European motor delivers 320 CFM of pure air, without adding static pressure to the HVAC system.
- Plug-in Power Cord provides convenient electrical connection.
- Versatile installation can be duct mounted, collar mounted or free-standing.

### Cabinet Construction Features

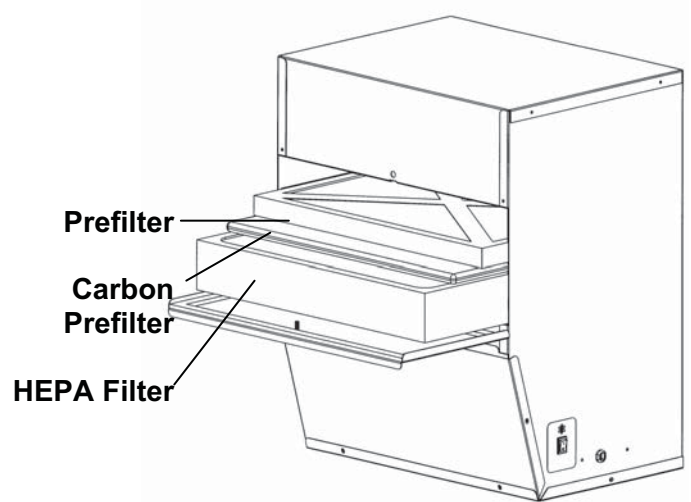
- One piece wrap, steel cabinet has powder-coat paint finish to provide rigid installation and durability.
- Pre-punched openings at back of unit and mounting template are provided for easier duct mount installation; no external ducting required.
- Pre-punched openings at top and bottom of unit facilitate collar mount installation.

### Warranty

- Five Year Limited Parts.



PART NUMBER	DESCRIPTION	REPLACE
P102-D40400	HEPA Media Filter	2-3 years
P102-D40855	Prefilter, MERV 11	3-6 months
P102-D40810	Carbon Prefilter	3-6 months

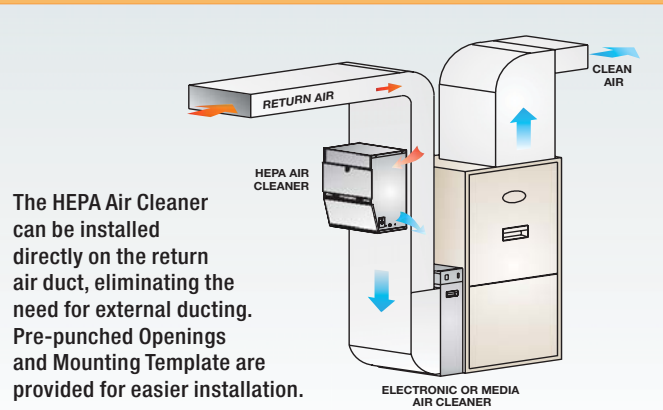


Universal HVAC/R  
Parts and Supplies

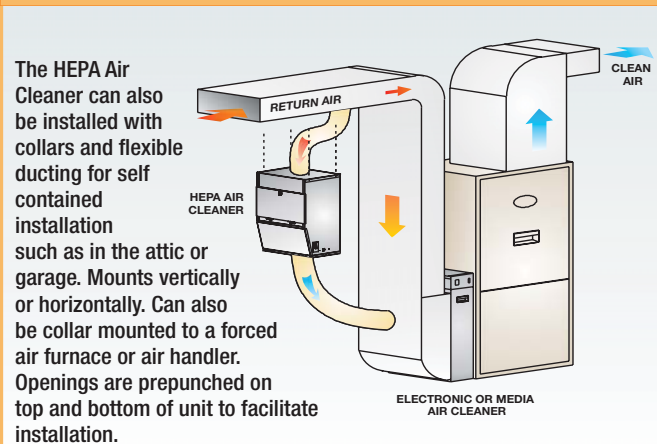
## Specifications

<b>MODEL</b>	<b>P102-400DM</b>
<b>Air Flow</b>	320 cfm 544 m <sup>3</sup> / hr
<b>Whole-House Air Changes Per Day</b>	39 air changes / day 29 air changes / day
<b>Prefilter (MERV 11)</b>	3.1 ft <sup>2</sup> 0.29 m <sup>2</sup>
<b>Carbon Prefilter</b>	1.33 ft <sup>2</sup> 0.12 m <sup>2</sup>
<b>HEPA Media Filter</b>	40 ft <sup>2</sup> 3.7 m <sup>2</sup>
<b>Power</b>	120 volt, 60 Hz
<b>Plug-in Power Cord</b>	10.0 ft 3.05 m
<b>Cabinet Dimensions W x D x H</b>	16.25 x 12.75 x 20.13 in 41.3 x 32.4 x 51.1 cm
<b>Intake Duct Fitting</b>	14.5 x 3.75 in or 8 in (dia) 36.8 x 9.5 cm or 20.3 cm (dia)
<b>Outflow Duct Fitting</b>	14.5 x 4.37 in or 8 in (dia)
<b>Unit Weight</b>	38 lbs 17.2 kg

### DUCT MOUNT INSTALLATION



### COLLAR MOUNT INSTALLATION



## HOW IT WORKS

Millions of airborne particulates and gases travel through the heating/cooling system 4-5 times every hour. The HEPA Air Cleaner connects to the return air duct and diverts 1/3 to 1/2 of this dirty air through a sealed 3-stage filtration system. A home can reach 39 or more whole-house air changes/day depending on the house size. And when a Totaline High Efficiency Electronic or Media Air Cleaner is added to the return air, the home can achieve 96+ wholehouse air changes/day (with system fan on continuous).



# Totaline® Mobile True HEPA & VOC Air Cleaner

## P102-600MA

The Totaline Mobile True HEPA Air Cleaner & VOC Filter has been designed to remove 99.97% of atmospheric dust, coal dust, insecticide dust, mites, pollen, mold spores, fungi, bacteria, viruses, pet dander, cooking smoke and grease, tobacco smoke particles, and more down to 0.3 micron (1/84,000 of an inch) on the first pass of air. As the HEPA filter becomes dirtier with time, it becomes more efficient and can capture particles as small as 0.001 micron.

It also removes odors (with Carbon Prefilter and Carbon VOC After Filter) and heavy-duty odors and fumes (with optional Carbon/Potassium Permanganate VOC Filter).

- Ideal for commercial applications such as Cafeterias, Food Preparation Areas, Day Care Centers, Hair/ Nail Salons, Hotels, Health Care Facilities, Medical/ Dental Labs, Nursing Homes, Offices, Portable Classrooms, Print Shops, Recreation/ Fitness Centers, Veterinary Clinics, Water & Fire Remediation.

### Standard Features

- Long-life, Certified True HEPA (High Efficiency Particulate Air) Filter is a minimum 99.97% efficient at removing particles 0.3 micron in size.
- Activated Carbon Prefilter removes lint and unpleasant odors, to extend life of HEPA Filter.
- Carbon VOC (Volatile Organic Compound) Filter removes additional unpleasant odors and gases (included).
- Carbon / Potassium Permanganate VOC Filter (optional upgrade) removes heavy-duty odors and fumes such as formaldehyde, heptane, tetrachloroethylene, toluene, etc. that are off-gased from carpets, cabinets, furniture, paints, pesticides, personal care products, cleaners, etc.
- Powerful European Motor with two-speed fan delivers 360/600 CFM of pure air.
- Large handle and swivel rubber castors for easy maneuvering.
- 10 foot power cord.



### Cabinet Construction Features

- Heavy gauge steel cabinet and powder coat paint finish for corrosion resistance and durability.
- Plastic intake and exhaust grilles.

### Warranty

- Five Year Limited Parts.

PART NUMBER	DESCRIPTION	REPLACE
P102-1919-6A	True HEPA Filter 6" for P102-550A and P102-600MA	3-5 years
P102-1919-1	Carbon Prefilter 1" for P102-550A and P102-600MA	3-6 months
P102-1919-2	Carbon VOC After Filter 2" for P102-550A (standard) and P102-600MA	6-12 months
P102-1919-2A	Carbon/Potassium Permanganate VOC After Filter 2" for P102-550A and P102-600MA	6-12 months



Universal HVAC/R  
Parts and Supplies



## Specifications

<b>Dimensions L x W x H</b> (including casters)	21.5 x 20.5 x 31.5 in 54.5 x 52.0 x 80.0 cm
<b>Unit Weight</b>	88.0 lbs 39.9 kg
<b>Input Voltage</b>	120 volt, 60 Hz
<b>Power Consumption</b>	215 Watts
<b>Air Flow - Low</b>	360 cfm 601 m <sup>3</sup> /hr
<b>Air Flow - High</b>	600 cfm 1002 m <sup>3</sup> /hr
<b>Cabinet</b>	18 gauge
<b>Power Cord</b>	10.0 ft 3.05 m

<b>Carbon Prefilter Dimensions</b>	19.5 x 19.5 x 1 in 49.5 x 49.5 x 2.5 cm
<b>HEPA Filter Dimensions</b>	19.5 x 19.5 x 6 in 49.5 x 49.5 x 15.3 cm
<b>Carbon VOC Filter Dimensions</b>	19.5 x 19.5 x 2 in 49.5 x 49.5 x 5.0 cm
<b>Carbon / Potassium VOC Filter Dimensions</b>	19.5 x 19.5 x 2 in 49.5 x 49.5 x 5.0 cm
<b>Carbon Prefilter Collecting Surface Area</b>	6.3 ft <sup>2</sup> 0.585 m <sup>2</sup>
<b>HEPA Filter Collecting Surface Area</b>	188 ft <sup>2</sup> 17.5 m <sup>2</sup>
<b>VOC Filter Collecting Surface Area</b>	9.5 ft <sup>2</sup> 0.883 m <sup>2</sup>

### HOW IT WORKS

Air is drawn in through the top of the unit to the Activated Carbon Prefilter (1 inch pleated, activated carbon impregnated polyester filter) which removes lint and odors before they enter the HEPA filter.

Smaller particles then pass through a long-life, True HEPA (High Efficiency Particulate Air) Filter which captures 99.97% of particles 0.3 micron (1/84,000 of an inch) and larger. This 6 inch filter has more than 188 ft<sup>2</sup> of collection surface area.

Air is then drawn through a Carbon VOC (Volatile Organic Compound) Filter (2 inch) to remove unpleasant odors and gases, or an optional Carbon/Potassium Permanganate VOC Filter (2 inch) to remove noxious odors and fumes like formaldehyde, heptane, tetrachloroethylene, toluene, etc. that are off-gassed from carpets, cabinets, furniture, paints, pesticides, personal care products, cleaners, etc.

Clean air is discharged from two sides of the unit.

# Totaline® Electronic Air Cleaners

## P102-12-D, P102-14A-D, P102-14B-D, P102-20-D

### Description

- The Totaline High Efficiency Electronic Air Cleaner has been designed to remove atmospheric and household dust, coal dust, insecticide dust, mites, pollen, mold spores, fungi, bacteria, viruses, pet dander, cooking smoke and grease, tobacco smoke particles, and more down to 0.01 micron (0.01 micron = 1/2,540,000 of an inch).
- There are 4 washable filters in total, along with the 3 disposable Carbon Filters for odor removal.
- User-friendly. Easy to maintain.
- Ideal for homes with allergy, asthma or respiratory sufferers, smokers, pets, cooking odors, and mustiness.
- Helps protect and prolong the operating efficiency of the heating and cooling equipment.



### Cabinet Construction Features continued

- Durable powder coat paint finish on door and top lid resists corrosion.
- Power Box is removable. Contains the ON/OFF switch, performance indicator light, safety interlock switch, high voltage power board and the air proving switch.

### Accessories

- DAX Air Cleaner Detergent simplifies the washing process by quickly and safely removing contaminants from filters. 32 oz. (1 L) Spray Bottle, Part #9900
- Activated Carbon Filters (3 per pack). Replace every 3-4 months. For Models:  
 P102-12-D, P102-14A-D Part #P102-1156  
 P102-14B-D, P102-20-D Part #P102-1856

### Standard Features

- Prefilters (2) are constructed of aluminum mesh, to prevent lint and large particles from entering the collecting cells.
- Collecting Cells (2) are constructed of heavy gauge aluminum for durability and ease of maintenance. Cell guides ensure proper placement of collecting cells in cabinet.
- Activated Carbon Filters (C) help remove unpleasant odors (optional).
- Solid State Power Board is manufactured on-site for high reliability and long life. Uniquely equipped with a variable resistor (potentiometer) to adjust high voltage output. Output has been preset for optimum efficiency, however, as voltage may vary in extreme conditions of dryness, humidity or proximity to hydro towers, raising or lowering potentiometer allows for proper voltage output.
- Electronic Air Proving Switch (AS) allows for quick wiring. Automatically cycles Air Cleaner on/off with the system fan.
- Lighted ON/OFF Switch (Orange) shows power to the Air Cleaner.
- Performance Indicator Light (Green LED) indicates high voltage to the collecting cells, ensuring air cleaner is operating properly at a glance.

### Warranty

- Five Year Limited Parts.

### Efficiency

Particle Size	600 cfm	1000 cfm	1400 cfm	1400 cfm Media (MERV 10)
0.3 - 0.4	99.2	87.5	65.4	14.6
0.4 - 0.55	99.7	91.6	74.0	21.2
0.55 - 0.7	99.8	95.1	80.3	30.9
0.7 - 1.0	99.9	97.3	86.0	38.6
1.0 - 1.3	99.9	98.5	90.4	46.9
1.3 - 1.6	99.9	99.1	93.2	53.9
1.6 - 2.2	100.0	99.5	95.3	61.8
2.2 - 3.0	100.0	99.8	97.4	74.6
3.0 - 4.0	100.0	99.9	98.3	82.6
4.0 - 5.5	100.0	99.9	98.3	82.6
5.5 - 7.0	100.0	100.0	99.5	86.4
7.0 - 10.0	100.0	100.0	99.9	88.2

In the chart above to the left are results from an independent testing laboratory showing the efficiency of the new Totaline Electronic Air Cleaner.

The column to the right shows the efficiency of a typical MERV 10 media filter (non Totaline).

At rated air flow the Electronic Air Cleaner achieves a MERV 14 rating. With the fan running on low speed the Air Cleaner increases efficiency to an impressive MERV 16 rating.

The static pressure drop of the Electrostatic Air Cleaner is a low 0.15" compared to a MERV 10 media filter of over 0.22" on a clean filter.

### Cabinet Construction Features

- Heavy gauge galvanized steel cabinet resists corrosion and provides trouble-free vertical or horizontal installation. Holes are provided to facilitate mounting to the duct work or air handling system.



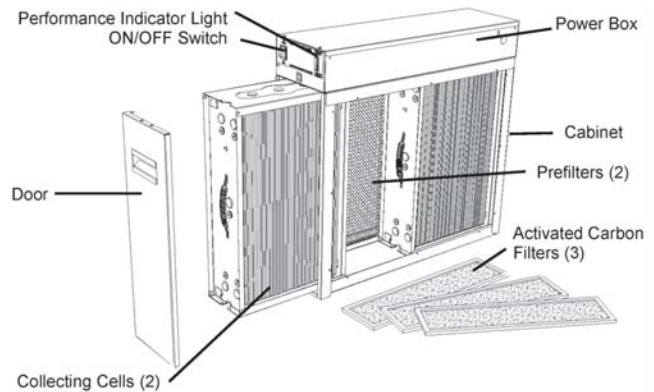
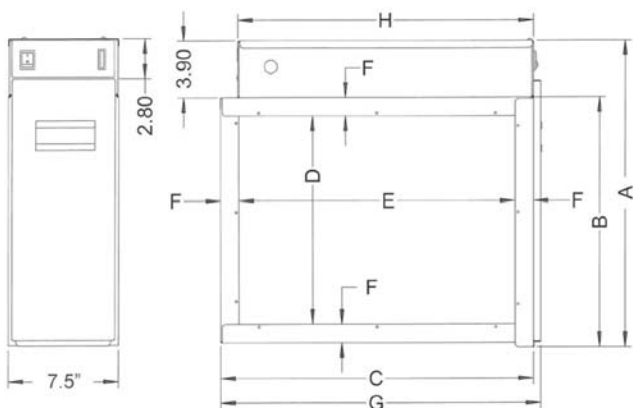
Universal HVAC/R  
Parts and Supplies

## Specifications

MODELS	P102-12-D	P102-14A-D	P102-14B-D	P102-20-D
House Size Area	<2400 ft <sup>2</sup> <222.96 m <sup>2</sup>	<3000 ft <sup>2</sup> <278.70 m <sup>2</sup>	<3000 ft <sup>2</sup> <278.70 m <sup>2</sup>	<3000 ft <sup>2</sup> <278.70 m <sup>2</sup>
Airflow	up to 1200 cfm up to 2039 m <sup>3</sup> /hr	up to 1400 cfm up to 2380 m <sup>3</sup> /hr	up to 1400 cfm up to 2380 m <sup>3</sup> /hr	up to 2000 cfm up to 3400 m <sup>3</sup> /hr
Duct Size	16 x 20 in 40.5 x 51 cm	16 x 25 in 40.5 x 63.5 cm	20 x 20 in 51.0 x 51.0 cm	20 x 25 in 51.0 x 63.5 cm
Unit Weight	33 lbs 15.3 kg	37 lbs 16.8 kg	37 lbs 16.8 kg	41 lbs 18.6 kg
Input Voltage	120 volt, 60 Hz	120 volt, 60 Hz	120 volt, 60 Hz	120 volt, 60 Hz
Power Consumption	30 Watts	30 Watts	30 Watts	30 Watts
Upgrades Available	Power Cord 220-240 Volt / 50 Hz	Power Cord 220-240 Volt / 50 Hz	Power Cord 220-240 Volt / 50 Hz	Power Cord 220-240 Volt / 50 Hz

## Dimensions

MODEL TYPE	DIMENSIONS - in (cm)							
	A	B	C	D	E	F	G	H
P102-12-D	19.8 (50.4)	15.9 (40.5)	23.2 (58.9)	13.1 (33.3)	20.7 (52.5)	1.3 (3.2)	23.7 (60.2)	21.2 (53.9)
P102-14A-D	19.8 (50.4)	15.9 (40.5)	26.1 (66.3)	13.6 (34.6)	24.1 (61.2)	1.0 (2.5)	26.6 (67.7)	25.8 (65.4)
P102-14B-D	24.7 (62.8)	20.8 (52.9)	21.2 (53.9)	18.0 (45.7)	18.7 (47.5)	1.3 (3.2)	21.7 (55.2)	21.2 (53.9)
P102-20-D	24.7 (62.8)	20.8 (52.9)	25.8 (65.4)	18.0 (45.7)	23.3 (59.1)	1.3 (3.2)	26.3 (66.8)	25.8 (65.4)





# Totaline® High Efficiency Media Retrofit Air Cleaners

## P102-MF12, P102-MF14A, P102-MF14B, P102-MF20

### Description

- The Totaline High Efficiency Charged-Media Retrofit Air Cleaner has been designed to remove atmospheric and household dust, coal dust, insecticide dust, mites, pollen, mold spores, fungi, bacteria, pet dander, cooking smoke and grease, tobacco smoke particles, and more down to 0.3 micron (1/84,000 of an inch).
- Ideal for homes with allergy, asthma or respiratory sufferers, smokers, pets and mustiness.
- Helps protect and prolong the operating efficiency of the heating and cooling equipment.



- Reversible air flow. Mounts in any position.
- Easily upgrades to a Totaline High Efficiency Electronic Air Cleaner, which is capable of removing harmful contaminants as small as 0.01 micron (1/2,540,000 of an inch).

### Cabinet Construction Features

- Heavy gauge galvanized steel cabinet resists corrosion and provides trouble-free vertical or horizontal installation. Holes are provided to facilitate mounting to the duct work or air handling system.
- Durable powder coat paint finish on door resists corrosion.

### Standard Features

- High Efficiency MERV\* 11 Media Filter, rated at 492 feet/minute, removes airborne contaminants down to 0.3 micron.
- Filter material is constructed of continuous hydrophobic polyolefin fibers that will not shred or absorb moisture. They are cellulose free and will not sustain mold growth.
- Unique filter design features a structured density gradient with an electret charge for higher initial and sustained efficiency over the life of the filter.
- Extra deep, 5 1/4 inch filter contains more media material than other filters on the market. More surface area means more collection area, longer filter life and lower static pressure.
- Perfect fit filter has an exact fit with the cabinet. Does not contain foam, sponge or fiberglass filler. Means all the air is passing through the filter and not through filler material, thereby maximizing the system's ability to clean the air.
- User-friendly, easy-to-change filter cartridge means no fussing with complicated combs or brackets.
- Filter lasts up to one year in standard applications.

### Media Replacement Filters

- Replacement filters are packaged 3 per box. Replace 1 to 2 times per year depending on climate, home renovations, smoking in home, or number of pets. For Models:
  - P102-MF12 replace with Part #P102-1620
  - P102-MF14A replace with Part #P102-1625
  - P102-MF14B replace with Part #P102-2020
  - P102-MF20 replace with Part #P102-2025

### Accessories

- Activated Carbon Filters (3 per pack) help eliminate unpleasant odors. Replace every 3-6 months. For Models:
  - P102-MF12/ P102-MF14A Part #P102-1156
  - P102-MF14B/ P102-MF20 Part #P102-1856
- Upgrade Kit to Electronic Air Cleaner includes Prefilters (2), Collecting Cells (2), Power Box (1) including Air Proving Switch and Contact Board:
  - P102-EACK1620A upgrades to P102-12
  - P102-EACK1625A upgrades to P102-14A
  - P102-EACK2020A upgrades to P102-14B
  - P102-EACK2025A upgrades to P102-20

### Warranty

- Limited Lifetime Warranty (not including filter).

\* MERV: Minimum Efficiency Reporting Value. Based on ASHRAE Standard 52.2.



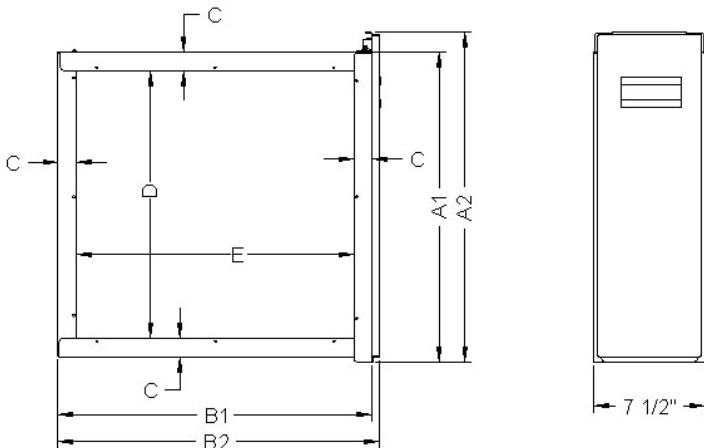
Universal HVAC/R  
Parts and Supplies

## Specifications

MODELS	P102-MF12	P102-MF14A	P102-MF14B	P102-MF20
Power Consumption	0	0	0	0
House Size Area	<2400 ft <sup>2</sup> <222.96 m <sup>2</sup>	<3000 ft <sup>2</sup> <278.70 m <sup>2</sup>	<3000 ft <sup>2</sup> <278.70 m <sup>2</sup>	<3000 ft <sup>2</sup> <278.70 m <sup>2</sup>
Airflow	up to 1200 cfm up to 2039 m <sup>3</sup> /hr	up to 1400 cfm up to 2379 m <sup>3</sup> /hr	up to 1400 cfm up to 2379 m <sup>3</sup> /hr	up to 2000 cfm up to 3398 m <sup>3</sup> /hr
Duct Size	16 x 20 in 40.5 x 51 cm	16 x 25 in 40.5 x 63.5 cm	20 x 20 in 51.0 x 51.0 cm	20 x 25 in 51.0 x 63.5 cm
Intake Dimensions (H x L)	13.12 x 20.68 in 33.3 x 52.5 cm	13.62 x 24.11 in 34.6 x 61.2 cm	18.0 x 18.71 in 45.7 x 47.5 cm	18.0 x 23.26 in 45.7 x 59.1 cm
Cabinet Dimensions (W x H x L)	7.5 x 17.41 x 23.75 in 19.05 x 44.2 x 60.3 cm	7.5 x 17.41 x 26.64 in 19.1 x 44.2 x 67.3 cm	7.5 x 22.3 x 21.75 in 19.05 x 56.6 x 55.2 cm	7.5 x 22.3 x 26.29 in 19.05 x 56.6 x 66.8 cm
Unit Weight	17 lbs 7.7 kg	18 lbs 8.2 kg	19 lbs 8.6 kg	20 lbs 9.1 kg
Pressure Drop	.064 (in./wg.) @ 246 fpm .209 (in./wg.) @ 492 fpm	.066 (in./wg.) @ 246 fpm .217 (in./wg.) @ 492 fpm	.062 (in./wg.) @ 246 fpm .203 (in./wg.) @ 492 fpm	.069 (in./wg.) @ 246 fpm .207 (in./wg.) @ 492 fpm
MERV Rating	11	11	11	11

## Dimensions

MODEL TYPE	DIMENSIONS - in (cm)						
	A1	A2	B1	B2	C	D	E
P102-MF12	15.94 (40.5)	17.41 (44.2)	23.18 (58.9)	23.7 (60.2)	1.25 (3.2)	13.12 (33.3)	20.68 (52.5)
P102-MF14A	15.94 (40.5)	17.41 (44.2)	26.11 (66.3)	26.64 (67.7)	1.0 (2.6)	13.62 (34.6)	24.11 (61.2)
P102-MF14B	20.83 (52.9)	22.3 (56.6)	21.21 (53.9)	21.74 (55.2)	1.25 (3.2)	18.0 (45.7)	18.71 (47.5)
P102-MF20	20.83 (52.9)	22.3 (56.6)	25.76 (65.5)	26.29 (66.8)	1.25 (3.2)	18.0 (45.7)	23.26 (59.1)



# Totaline® High Efficiency Media Air Cleaners

## P102-NC12, P102-NC14A, P102-NC14B, P102-NC20



### Description

- The Totaline High Efficiency Media Air Cleaner has been designed to remove atmospheric and household dust, coal dust, insecticide dust, mites, pollen, mold spores, fungi, bacteria, pet dander, cooking smoke and grease, tobacco smoke particles, and more down to 0.3 micron (1/84,000 of an inch).
- Ideal for homes with allergy, asthma or respiratory sufferers, smokers, pets and mustiness.
- Helps protect and prolong the operating efficiency of the heating and cooling equipment.

### Standard Features

- High Efficiency MERV\* 11 Media Filter, rated at 492 feet/minute, removes airborne contaminants down to 0.3 micron.
- Filter material is constructed of continuous hydrophobic polyolefin fibers that will not shred or absorb moisture. They are cellulose free and will not sustain mold growth.
- Unique filter design features a structured density gradient with an electret charge for higher initial and sustained efficiency over the life of the filter.
- Extra deep, 5 1/4 inch filter contains more media material than other filters on the market. More surface area means more collection area, longer filter life and lower static pressure.
- Perfect fit filter has an exact fit with the cabinet. Does not contain foam, sponge or fiberglass filler. Means all the air is passing through the filter and not through filler material, thereby maximizing the system's ability to clean the air.

- User-friendly, easy-to-change filter cartridge means no fussing with complicated combs or brackets.
- Filter lasts up to one year in standard applications.
- Reversible air flow. Mounts in any position.

- Easy to replace with a Totaline High Efficiency Electronic Air Cleaner, which is capable of removing harmful contaminants as small as 0.01 micron (1/2,540,000 of an inch). For the most powerful air cleaning system available, add a Totaline True HEPA Air Cleaner to the Totaline Media or Electronic Air Cleaner.

### Cabinet Construction Features

- Heavy gauge galvanized steel cabinet resists corrosion and provides trouble-free vertical or horizontal installation. Holes are provided to facilitate mounting to the duct work or air handling system.
- Durable powder coat paint finish on door resists corrosion.

### Media Replacement Filters

- Replacement filters are packaged 3 per box. Replace 1 to 2 times per year depending on climate, home renovations, smoking in home, or number of pets. For Models:
  - P102-NC12 replace with Part #P102-1620
  - P102-NC14A replace with Part #P102-1625
  - P102-NC14B replace with Part #P102-2020
  - P102-NC20 replace with Part #P102-2025

### Warranty

- One Year Limited (not including filter).



Universal HVAC/R  
Parts and Supplies

\* MERV: Minimum Efficiency Reporting Value. Based on ASHRAE Standard 52.2.

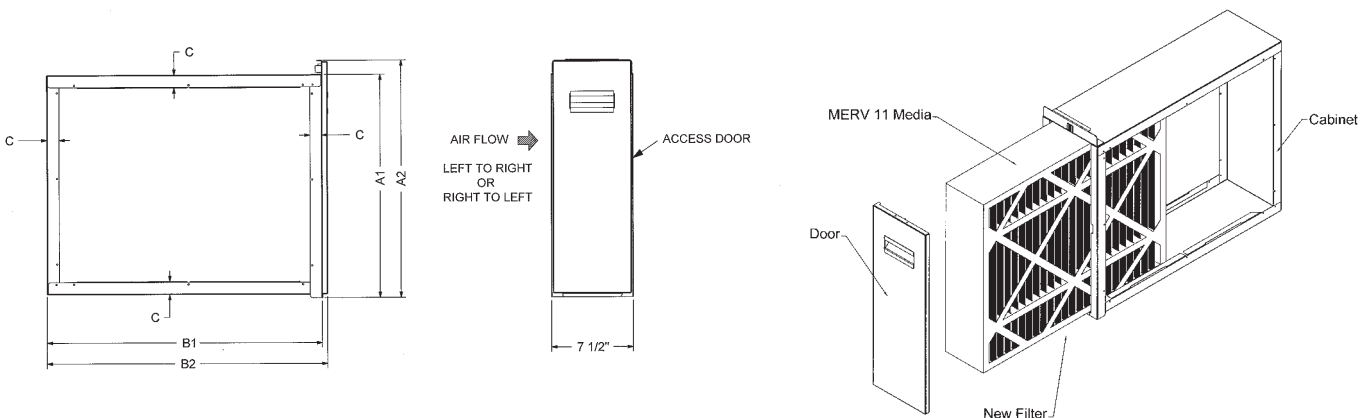


## Specifications

MODELS	P102-NC12	P102-NC14A	P102-NC14B	P102-NC20
Power Consumption	0	0	0	0
House Size Area	<2400 ft <sup>2</sup> <222.96 m <sup>2</sup>	<3000 ft <sup>2</sup> <278.70 m <sup>2</sup>	<3000 ft <sup>2</sup> <278.70 m <sup>2</sup>	<3000 ft <sup>2</sup> <278.70 m <sup>2</sup>
Airflow	up to 1200 cfm up to 2038 m <sup>3</sup> /hr	up to 1400 cfm up to 2379 m <sup>3</sup> /hr	up to 1400 cfm up to 2379 m <sup>3</sup> /hr	up to 2000 cfm up to 3398 m <sup>3</sup> /hr
Duct Size	16 x 20 in 40.5 x 51 cm	16 x 25 in 40.6 x 63.5 cm	20 x 20 in 51.0 x 51.0 cm	20 x 25 in 51.0 x 63.5 cm
Intake Dimensions (H x L)	13.25 x 20.75 in 33.7 x 52.7 cm	13.25 x 23.7 in 33.7 x 60.2 cm	18.1 x 18.75 in 46.0 x 47.6 cm	18.1 x 23.25 in 46.0 x 59.1 cm
Cabinet Dimensions (W x H x L)	7.5 x 17.4 x 23.6 in 19.1 x 44.2 x 60.0 cm	7.5 x 17.4 x 26.5 in 19.1 x 44.2 x 67.3 cm	7.5 x 22.25 x 21.7 in 19.1 x 56.5 x 55.1 cm	7.5 x 22.25 x 26.1 in 19.1 x 56.5 x 66.3 cm
Unit Weight	17 lbs 7.7 kg	18 lbs 8.2 kg	19 lbs 8.6 kg	20 lbs 9.1 kg
Pressure Drop	.064 (in./wg.) @ 246 fpm .209 (in./wg.) @ 492 fpm	.066 (in./wg.) @ 246 fpm .217 (in./wg.) @ 492 fpm	.062 (in./wg.) @ 246 fpm .203 (in./wg.) @ 492 fpm	.069 (in./wg.) @ 246 fpm .207 (in./wg.) @ 492 fpm
MERV Rating	11	11	11	11

## Dimensions

MODEL TYPE	DIMENSIONS - in (cm)						
	A1	A2	B1	B2	C	D	E
P102-NC12	16 (40.6)	17.4 (44.2)	23.1 (58.7)	23.6 (60.0)	1.2 (3.0)	20.75 (52.7)	13.25 (33.7)
P102-NC14A	16 (40.6)	17.4 (44.2)	26.0 (66.0)	26.5 (67.3)	1.2 (3.0)	23.7 (60.2)	13.25 (33.7)
P102-NC14B	20.75 (52.7)	22.25 (56.5)	21.2 (53.8)	21.7 (55.1)	1.2 (3.0)	18.75 (47.6)	18.7 (46.0)
P102-NC20	20.75 (52.7)	22.25 (56.5)	25.6 (65)	26.1 (66.3)	1.2 (3.0)	23.25 (59.1)	18.1 (46.0)



# Totaline® Whole-House Over-Sized Media Air Cleaner

## High Efficiency Model P102-MF3225



### Description

- The Totaline High Efficiency Charged-Media Retrofit Air Cleaner has been designed to remove atmospheric and household dust, coal dust, insecticide dust, mites, pollen, mold spores, fungi, bacteria, pet dander, cooking smoke and grease, tobacco smoke particles, and more down to 0.3 micron (1/84,000 of an inch).
- Ideal for homes with allergy, asthma or respiratory sufferers, smokers, pets and mustiness.
- Helps protect and prolong the operating efficiency of the heating and cooling equipment.

### Standard Features

- High Efficiency MERV\* 11 Media Filter, rated at 492 feet/minute, removes airborne contaminants down to 0.3 micron.
- Filter material is constructed of continuous hydrophobic polyolefin fibers that will not shred or absorb moisture. They are cellulose free and will not sustain mold growth.
- Unique filter design features a structured density gradient with an electret charge for higher initial and sustained efficiency over the life of the filter.
- Perfect fit filter has an exact fit with the cabinet. Does not contain foam, sponge or fiberglass filler. Means all the air is passing through the filter and not through filler material, thereby maximizing the system's ability to clean the air.
- User-friendly, easy-to-change filter cartridge means no fussing with complicated combs or brackets.
- Filter lasts up to one year in standard applications.
- Reversible air flow. Mounts in any position.

- Easily upgrades to a Totaline High Efficiency Electronic Air Cleaner, which is capable of removing harmful contaminants as small as 0.01 micron (1/2,540,000 of an inch).

### Cabinet Construction Features

- Heavy gauge galvanized steel cabinet resists corrosion and provides trouble-free vertical or horizontal installation. Holes are provided to facilitate mounting to the duct work or air handling system.
- Durable powder coat paint finish on door resists corrosion.
- 1" mounting flange on intake and exhaust.

### Media Replacement Filters

- Replacement filters are packaged 3 per box. Replace 1 to 2 times per year depending on climate, home renovations, smoking in home, or number of pets.

Requires (2) P102-1625 Filters

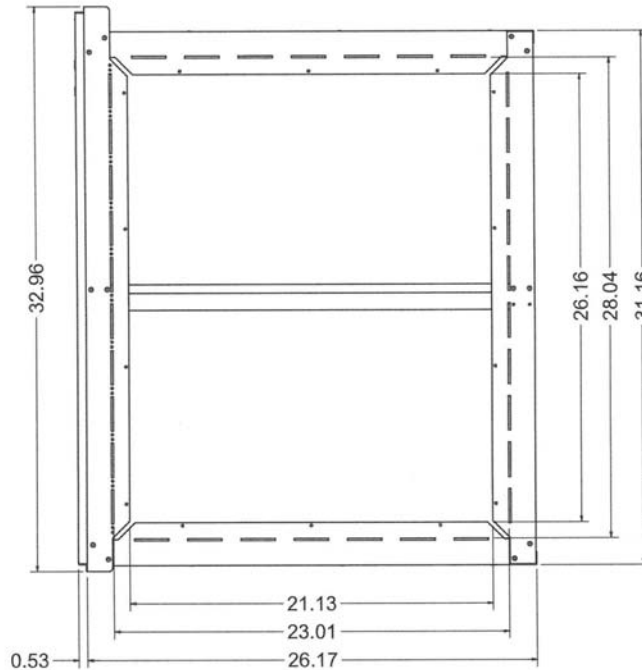
\* MERV: Minimum Efficiency Reporting Value. Based on ASHRAE Standard 52.2.



Universal HVAC/R  
Parts and Supplies

## Specifications

<b>MODEL</b>	<b>P102-MF3225</b>
<b>Power Consumption</b>	0
<b>House Size</b>	>3000 ft <sup>2</sup> >278.7 m <sup>2</sup>
<b>Air Flow</b>	up to 2800 cfm up to 2379 m <sup>3</sup> /hr
<b>Duct Size</b>	32 x 25 in 81.2 x 63.5 cm
<b>Intake Dimensions (H x D)</b>	28 x 23 in 71.1 x 58.4 cm
<b>Cabinet Dimensions (H x D x W)</b>	33 x 26.7 x 7.5 in 83.8 x 67.8 x 19 cm
<b>Weight</b>	21 lbs 9.5 kg
<b>MERV Rating</b>	11
<b>Pressure Drop</b>	.040 (in./wg) @ 1000 cfm 0.135 (in./wg) @ 2000 cfm
<b>Options Available</b>	P102-1625-14 MERV 14 Replacement Filter Requires 2





# Totaline® High Efficiency Right Angle Media Air Cleaner

## Model P102-RAM2000

### Description

- The Totaline High Efficiency Right Angle Media (RAM) Air Cleaner is a space-saving design for vertical installations. Removes atmospheric and household dust, coal dust, insecticide dust, mites, pollen, mold spores, fungi, bacteria, pet dander, cooking smoke and grease, tobacco smoke particles, and more down to 0.3 micron (1/84,000 of an inch).
- Reduces installation space by 6-8 inches.
- Eliminates the need for a 90° duct adapter, as it works as a turning vane providing even distribution across the media filter.
- Helps protect and prolong the operating efficiency of the heating and cooling equipment.



- Perfect fit filter allows no air gaps, thereby maximizing the system's ability to clean the air.
- User-friendly, easy-to-change filter cartridge means no fussing with complicated combs or brackets.
- Filter will last up to one year in standard applications.

### Cabinet Construction Features

- Heavy gauge galvanized steel cabinet resists corrosion and provides trouble-free vertical installation. Holes are provided to facilitate mounting to the duct work or air handling system.
- Durable powder coat paint finish on doors (2) resists corrosion.

### Standard Features

- Adjustable inlet duct opening replaces need for field forming transition, significantly reducing installation time.
- Reversible air flow. Two access doors allow versatile installation and easy maintenance.
- High Efficiency MERV\* 11 Media Filter, rated at 492 feet/minute, removes airborne contaminants down to 0.3 micron.
- Filter material is constructed of continuous hydrophobic polyolefin fibers that will not shred or absorb moisture. They are cellulose free and will not sustain mold growth.
- Unique filter design features a structured density gradient with an electret charge for higher initial and sustained efficiency over the life of the filter.
- Extra deep, 5 1/4 inch filter contains more media material than other filters on the market. More surface area means more collection area, longer filter life and lower static pressure.

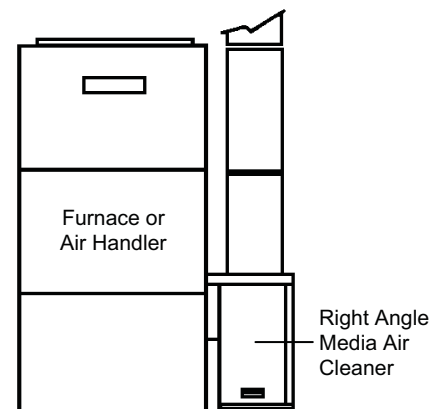
### Media Replacement Filter

- Replacement filters are packaged 3 per Box. Replace 1 to 2 times per year depending on climate, home renovations, smoking in home, or number of pets.  
P102-RAM200 replace with Part #P102-2025

### Warranty

- Limited Lifetime Warranty (not including filter).

### Typical Installation



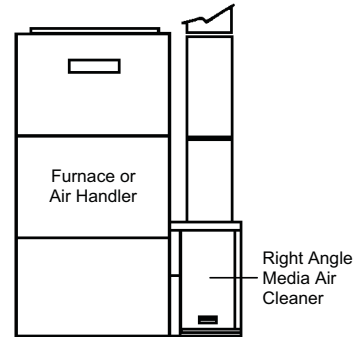
\* MERV: Minimum Efficiency Reporting Value. Based on ASHRAE Standard 52.2.



Universal HVAC/R  
Parts and Supplies

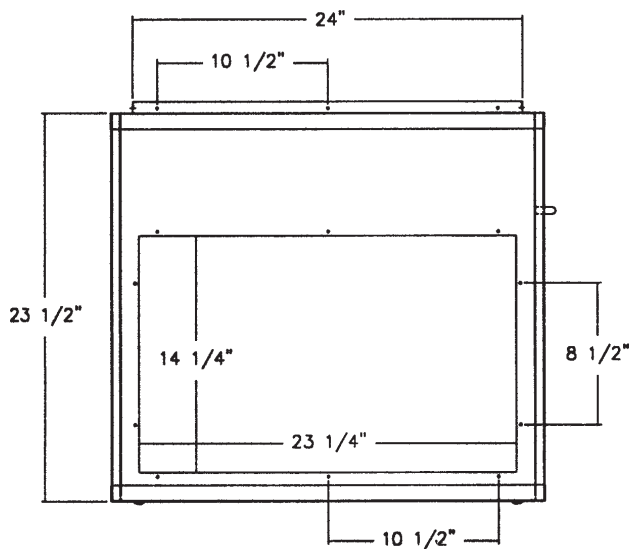
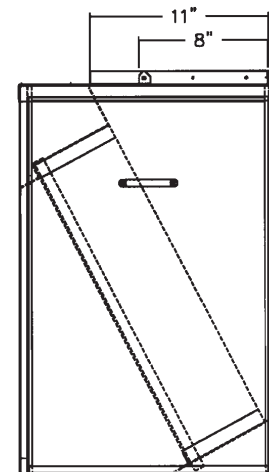
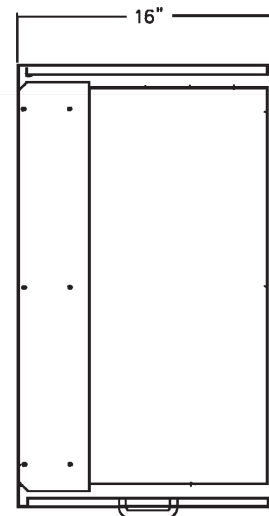
The Air Cleaner is adaptable to most High-Boy residential forced air furnaces or cooling systems. The Air Cleaner must be installed in the return air duct next to the blower compartment. This location provides the most even air flow across the filter and allows the Air Cleaner to keep the system motor and fan clean.

\* MERV: Minimum Efficiency Reporting Value. Based on ASHRAE Standard 52.2.



### Specifications

<b>MODEL</b>	<b>P102-RAM200</b>
<b>Power Consumption</b>	0
<b>House Size</b>	n/a
<b>Air Flow</b>	up to 2000 cfm up to 3398 m <sup>3</sup> /hr
<b>Dimensions (W x D x H)</b>	16 x 26.75 x 23.5 in 40.6 x 67.9 x 59.7 cm
<b>Adjustable Inlet (3 Sizes)</b>	8 x 24 in / 10 x 24 in / 11 x 24 in 20.3 x 61 cm / 25.4 x 61 cm / 27.9 x 61 cm
<b>Outlet (D x H)</b>	23.25 x 14.25 in 59.1 x 36.2 cm
<b>Weight</b>	34 lbs 15.4 kg
<b>MERV Rating</b>	11



# Totaline® Return Grille Mount Electronic Air Cleaner

## Model P102-GM20A



### Description

- The Totaline High Efficiency Return Grille Mount Electronic Air Cleaner has been designed to remove atmospheric and household dust, coal dust, insecticide dust, mites, pollen, mold spores, fungi, bacteria, viruses, pet dander, cooking smoke and grease, tobacco smoke particles, and more down to 0.01 micron (0.01 micron = 1/2,540,000 of an inch).
- Contains a lifetime filter that is environmentally friendly and preferable to disposable filters.
- Designed for homes, condominiums, manufactured homes and applications where there is a common return grille rather than separate return air ducts from each room. Larger homes with more than one return grille may require an additional return grille air cleaner to greatly improve indoor air quality.
- Perfect for homes with attic or crawl space heating and air conditioning installations, allowing easy access to filters on the main floor.
- Easily installs on the wall or ceiling in a ceiling box within trusses on 24 inch centers, without any structural changes.
- Ideal for homes with allergy, asthma or respiratory sufferers, smokers, pets, cooking odors, and mustiness.
- Helps protect and prolong the operating efficiency of the heating and cooling equipment.

### Standard Features

- Prefilters (2) are constructed of aluminum mesh, to prevent lint and large particles from entering the collecting cells.

- Collecting Cells (2) are constructed of heavy gauge aluminum for durability and ease of maintenance.
- Plastic intake Grille is easy to wipe clean.

### Standard Features

- Hinged, Swing Out Door allows easy access to filters.
- Automatic Interlock Switch disconnects power when unit is opened.
- Electronic Air Proving Switch (AS) allows for quick wiring. Automatically cycles Air Cleaner on/off with the system fan.
- Performance Indicator Light (Green LED) indicates high voltage to the collecting cells, ensuring air cleaner is operating properly at a glance.
- Solid State Power Board is manufactured on-site for high reliability and long life. Uniquely equipped with a variable resistor (potentiometer) to adjust high voltage output, if necessary.

### Cabinet Construction Features

- Durable powder coat paint finish on heavy gauge steel resists abrasion and provides trouble-free wall or ceiling installation. Holes are provided to facilitate mounting to the duct work.

### Accessories

- DAX Air Cleaner Detergent simplifies the washing process by quickly and safely removing contaminants from filters.
- 32 oz. (1 L) Spray Bottle, Part #9900

### Warranty

- Five Year Limited Parts.

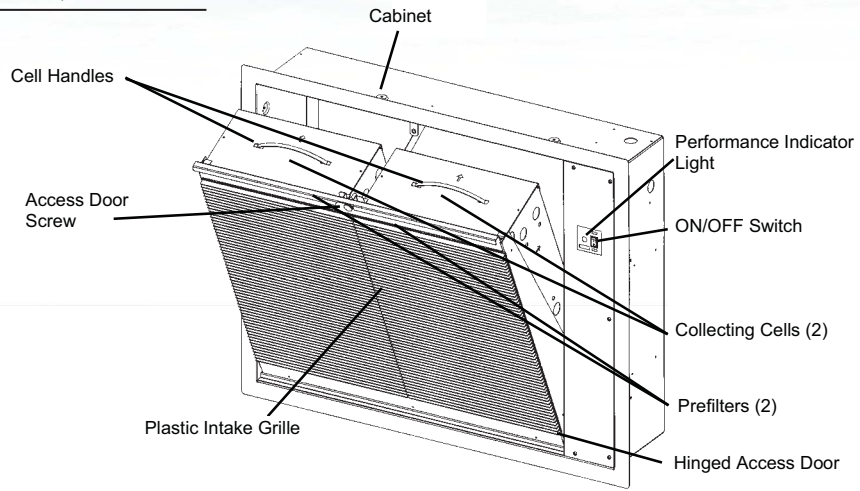


Universal HVAC/R  
Parts and Supplies

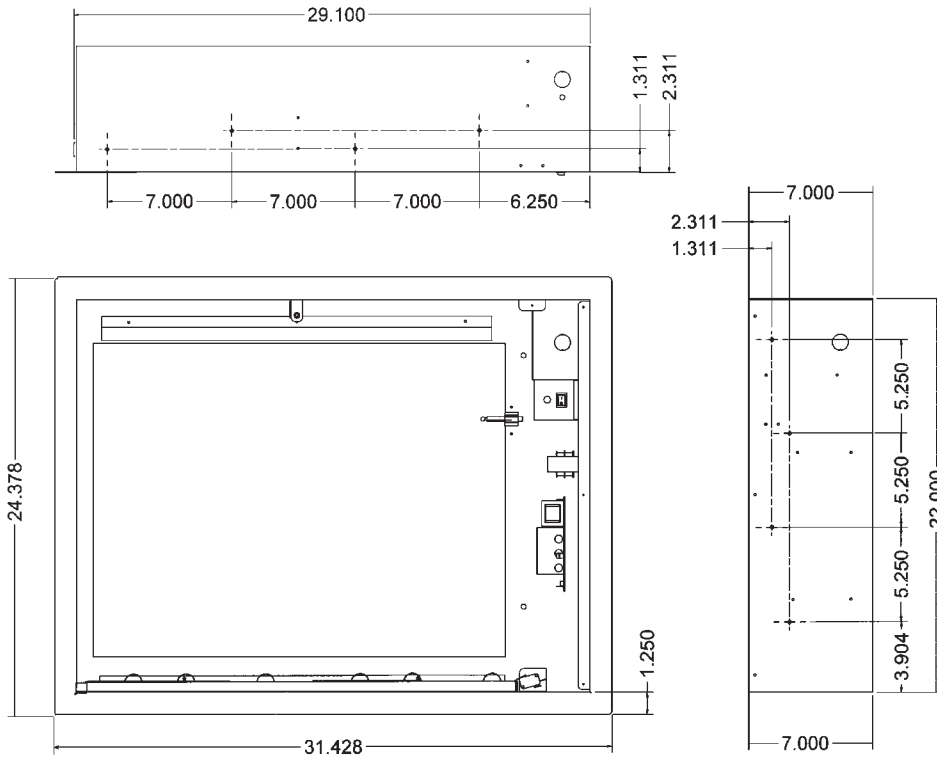


## Specifications

<b>MODEL</b>	<b>P102-GM20A</b>
<b>House Size</b>	n/a
<b>Air Flow</b>	up to 2000 cfm up to 3398 m <sup>3</sup> /hr
<b>Duct Size</b>	22 x 29.1 in 55.9 x 73.9 cm
<b>Cabinet Dimensions</b>	31.4 x 24.4 x 7 in 79.8 x 62 x 17.8 cm
<b>Weight</b>	38 lbs 17.5 kg
<b>Power</b>	120 volt, 60 Hz, 30 Watts



## Dimensions



# Totaline® 1" Electronic Air Cleaner

## Model CG1000

The Totaline® CG1000 is a safe and simple electronic process, operated with 24 volts! It works by creating a polarized (electric) charge on the media pads.

The electric charge enables the media pads to capture and remove airborne particles as small as .01 microns.

### Features:

- MERV 10 @ 295 fpm
- Produces no hazardous ozone
- Produces no positive ions
- Fully electronic, highly reliable
- Easy to maintain
- Increases equipment efficiency
- Satisfaction guaranteed
- 5 year warranty
- UL and CSA Certified



### Effectiveness

Airborne Pollutants	Actual Micron Particle Size Range	A Proportionate Particle Size Comparison
Human Hair	35-200 microns	
Pollen	10-100 microns	
Spores	10-35 microns	
Bacteria	.3-35 microns	
Animal Dander	.3-10 microns	
Lung Damaging Dust	.5-5 microns	
Smoke	.01-1 microns	

Information Source: American Industrial Hygiene Association

### Specifications

Efficiency: 95% efficient down to 1 micron

Pressure drop: 0.18 in W.G.

Voltage: 24 volts

Voltage range: 18V min. to 30V max.

Consumption: Max 2.5 watts

Amp. draw: Max 0.1A

### Masterpack Display

Part Number:

P101-MASTERPACK

(4) – P101-1625C

(4) – P101-2025C

(1) – P101-1620C

(1) – P101-2020C



Universal HVAC/R  
Parts and Supplies

**Part Numbers (dimensions in nominal inches)**

EAC P/N	Media P/N	Actual Dimensions
P101-1224C	P101-1224M	11 <sup>5</sup> / <sub>8</sub> " x 23 <sup>5</sup> / <sub>8</sub> "
P101-1420C	P101-1420M	13 <sup>5</sup> / <sub>8</sub> " x 19 <sup>5</sup> / <sub>8</sub> "
P101-1424C	P101-1424M	13 <sup>5</sup> / <sub>8</sub> " x 23 <sup>5</sup> / <sub>8</sub> "
P101-1425C	P101-1425M	13 <sup>5</sup> / <sub>8</sub> " x 24 <sup>5</sup> / <sub>8</sub> "
P101-1430C	P101-1430M	13 <sup>5</sup> / <sub>8</sub> " x 29 <sup>5</sup> / <sub>8</sub> "
P101-1520C	P101-1520M	14 <sup>5</sup> / <sub>8</sub> " x 19 <sup>5</sup> / <sub>8</sub> "
P101-1616C	P101-1616M	15 <sup>5</sup> / <sub>8</sub> " x 15 <sup>5</sup> / <sub>8</sub> "
P101-1620C	P101-1620M	15 <sup>5</sup> / <sub>8</sub> " x 19 <sup>5</sup> / <sub>8</sub> "
P101-1624C	P101-1624M	15 <sup>5</sup> / <sub>8</sub> " x 23 <sup>5</sup> / <sub>8</sub> "
P101-1625C	P101-1625M	15 <sup>5</sup> / <sub>8</sub> " x 24 <sup>5</sup> / <sub>8</sub> "
P101-1820C	P101-1820M	17 <sup>5</sup> / <sub>8</sub> " x 19 <sup>5</sup> / <sub>8</sub> "
P101-2020C	P101-2020M	19 <sup>5</sup> / <sub>8</sub> " x 19 <sup>5</sup> / <sub>8</sub> "
P101-2024C	P101-2024M	19 <sup>5</sup> / <sub>8</sub> " x 23 <sup>5</sup> / <sub>8</sub> "
P101-2025C	P101-2025M	19 <sup>5</sup> / <sub>8</sub> " x 24 <sup>5</sup> / <sub>8</sub> "
P101-2030C	P101-2030M	19 <sup>5</sup> / <sub>8</sub> " x 29 <sup>5</sup> / <sub>8</sub> "
P101-2424C	P101-2424M	23 <sup>5</sup> / <sub>8</sub> " x 23 <sup>5</sup> / <sub>8</sub> "
P101-2425C	P101-2425M	23 <sup>5</sup> / <sub>8</sub> " x 24 <sup>5</sup> / <sub>8</sub> "
P101-2430C	P101-2430M	23 <sup>5</sup> / <sub>8</sub> " x 29 <sup>5</sup> / <sub>8</sub> "

**Part Numbers (exact sizes)**

P101-1321C	P101-1321M	13" x 21 <sup>1</sup> / <sub>2</sub> "
P101-1621C	P101-1621M	16 <sup>3</sup> / <sub>8</sub> " x 21 <sup>1</sup> / <sub>2</sub> "
P101-1821C	P101-1821M	18 <sup>7</sup> / <sub>8</sub> " x 21 <sup>1</sup> / <sub>2</sub> "
P101-2021C	P101-2021M	19 <sup>7</sup> / <sub>8</sub> " x 21 <sup>1</sup> / <sub>2</sub> "
P101-2123C	P101-2123M	21 <sup>1</sup> / <sub>2</sub> " x 23 <sup>5</sup> / <sub>16</sub> "
P101-CAR1C	P101-CAR1M	13" x 24 <sup>5</sup> / <sub>8</sub> "
P101-CAR2C	P101-CAR2M	23 <sup>1</sup> / <sub>2</sub> " x 24 <sup>5</sup> / <sub>8</sub> "

**How To Order A Custom Size EAC or Media**

Definitions for Custom Sizes:

**Custom Exact 1" (P101-5010C or P101-5010M)**

Not undercut in any dimension

Example:

18" x 18" x 1" - Actual Dimensions = 18" x 18" x 1"

**Custom Nominal 1" (P101-5000C or P101-5000M)**

Nominal = Undercut by <sup>3</sup>/<sub>8</sub>" in each dimension

Example:

18" x 18" x 1" - Actual Dimensions = 17<sup>5</sup>/<sub>8</sub>" x 17<sup>5</sup>/<sub>8</sub>" x 1"

**Custom Exact 2" (P101-5010C2 or P101-5010M2)**

Not undercut in any dimension

Example:

18" x 18" x 2" - Actual Dimensions = 18" x 18" x 2"

**Custom Nominal 2" (P101-5000C2 or P101-5000M2)**

Nominal = Undercut by <sup>3</sup>/<sub>8</sub>" in each dimension

Example:

18" x 18" x 2" - Actual Dimensions = 17<sup>5</sup>/<sub>8</sub>" x 17<sup>5</sup>/<sub>8</sub>" x 2"

***1" Custom sizes available in nominal, exact and oversized. Also available in 2" thickness for commercial applications.***



**Disposable Replacement Media Pads**

The Totaline® CG1000 creates a polarized charge on the media pads, causing airborne particles to “stick” to the pads. This provides a means of disposing of the particles and removing them as the media pads are replaced. Recommended replacement is every 4 months.

- Hypo Allergenic Material
- High Density
- Fire Retardant
- Unique Dry Weave Material
- Pre-Cut to Size
- Highest Surface Area
- Safe, Simple Replacement
- 1 package contains 6 pads (2 pads required per changeout)



# Totaline® EZ Flex Adjustable Filters

The **EZFLEX** Filter is the perfect solution to all of your replacement filter needs. Its easy assembly saves time and the collapsed packaging allows you to store up to 10 filters in the truck as compared to 2 cartridges. **EZFLEX** serves as a replacement for several cabinets in nominal 16" x 25" and 20" x 25" sizes.

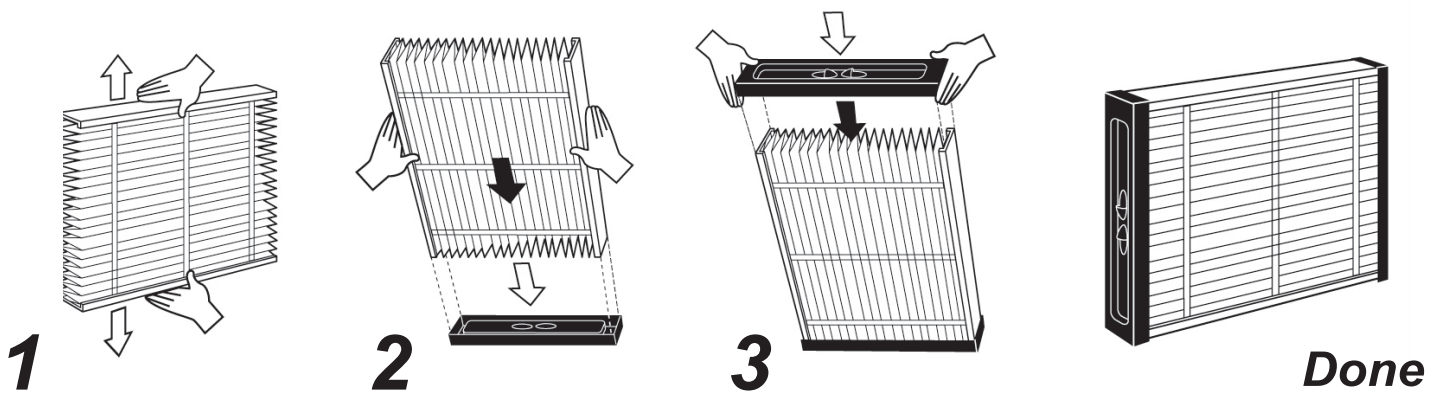
## Features:

- Easy to assemble...
  - saves up to 99% on assembly time
  - no combs
- Adjustable (replaces competitors)
  - MPKA Media Cabinet
  - MACA Media Cabinet
  - Honeywell, Space-Gard, Trion
- MERV 10
- Pressure drop @ 1600 CFM = .265
- Patented (5 patents)

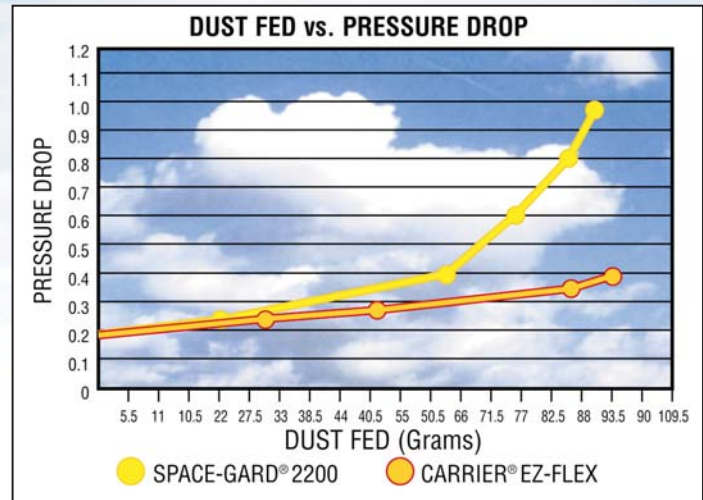
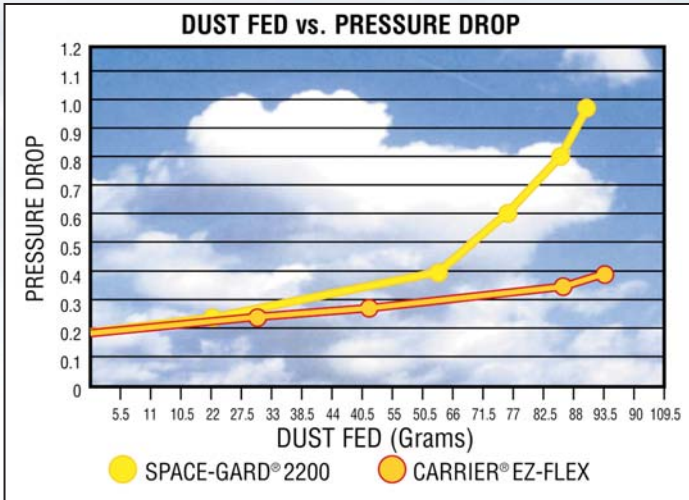


**MERV 10**

Easy **1 - 2 - 3** installation



Universal HVAC/R  
Parts and Supplies



Both tests done in accordance with ASHRAE Test Standard 52.2 By LMS Technologies, Inc., Bloomington, MN, USA

### EXPXXUNV = Universal Kit

Kits Include Expandable Filter and Plastic End Caps.

#### Fitting:

- Carrier MACA
- Honeywell F100E, F150E, F200E
- Trion Air Bear
- Research Products (Space-Gard 2200)
- New WeatherMaker 8000 Platform

### EXPXXFIL = Replacement Filters (10-Pack)

Expandable Filters Only, Can Use End Caps From Old Filter

Media Air Cleaner	Filter Size (inch)	EZ Flex Kit*	EZ Flex Media Only**
Carrier MACA	16 x 25	EXPXXUNV0016	EXPXXFIL0016
	20 x 25	EXPXXUNV0020	EXPXXFIL0020
Space Gard 2200	20 x 25	EXPXXUNV0020	EXPXXFIL0020
Honeywell F35	16 x 25	EXPXXUNV0016	EXPXXFIL0016
Expandapac	20 x 25	EXPXXUNV0020	EXPXXFIL0020
Honeywell F100F	16 x 25	EXPXXUNV0016	EXPXXFIL0016
	20 x 25	EXPXXUNV0020	EXPXXFIL0020
Honeywell F150E	16 x 25	EXPXXUNV0016	EXPXXFIL0016
	20 x 25	EXPXXUNV0020	EXPXXFIL0020
Honeywell F200E	16 x 25	EXPXXUNV0016	EXPXXFIL0020
	20 x 25	EXPXXUNV0020	EXPXXFIL0020
Trion Air Bear	16 x 25	EXPXXUNV0016	EXPXXFIL0016
	20 x 25	EXPXXUNV0020	EXPXXFIL0020

\* The EZ-Flex kit includes the plastic end panels in the box.

\*\* The media only can be used only if the filter has the end panels from a previous installation. These filters are direct replacements for EZ-Flex filter assemblies.

# Totaline® EZ Flex Return Air Filter Grille

## Table Of Contents

The Totaline® **EZFLEX** Return Air Filter Grille is designed for both commercial and residential applications. It provides easy access for filter changes, and having the **EZFLEX** filter as the replacement for this cabinet will save you time with its quick and easy assembly. Nominal sizes available are for 16" x 25" and 20" x 25" filter.



### Features:

- Attractive white aluminum, easy to wipe clean
- Wide margin for easy wall or ceiling installation.
- Concealed hinges for neat appearance, hinged face fits flush with frame.

### EZFLEX Features:

- MERV 10 @ 1366 CFM (16" x 25"); MERV 10 @ 1708 CFM (20" x 25")
- EZ to assemble, no combs
- Pressure drop @ 1600 CFM = .265 (20" x 25" filter)
- Patent Pending

\* The EZFLEX Filter is sold separately.

Filter Grille Cabinet Model	Filter Size (inch)	EZ Flex EZ Flex Kit*	Media Only**
P907-RAG-EZF-2516	25 x 16	EXPXXUNV0016	EXPXXFIL0016
P907-RAG-EZF-2520	25 x 20	EXPXXUNV0020	EXPXXFIL0020

\* The EZ-Flex kit includes the plastic end panels in the box.

\*\* The media only can be used only if the filter has the end panels from a previous installation. These filters are direct replacements for EZ-Flex filter assemblies.



Universal HVAC/R  
Parts and Supplies



**Specifications:**

**Material:** Extruded and rolled aluminum

**Face:** Extruded frame with miter/welded corners. Individual extruded bars horizontally set on 3/4" centers and fixed at a 45 degree angle of deflection.

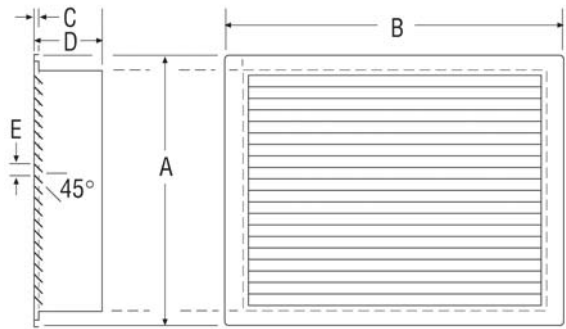
**Finish:** EDP white



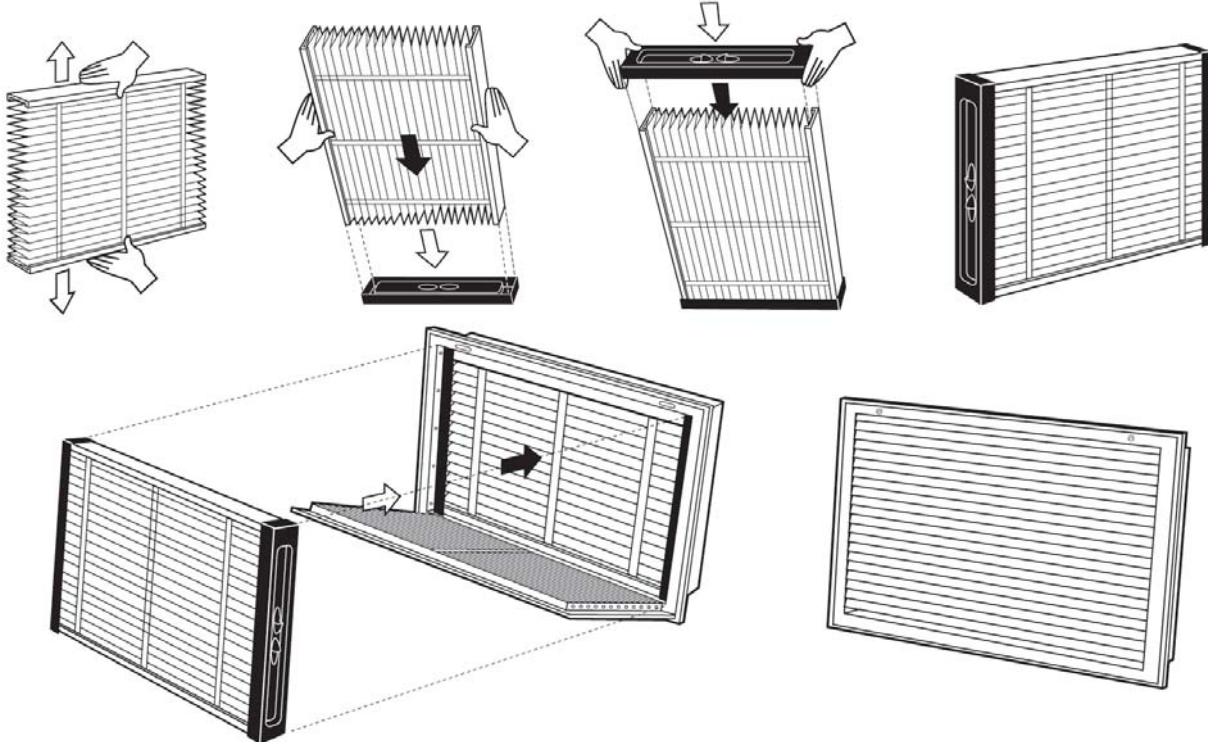
**Dimensions:**

**Filter Grille**

Cabinet Model	A	B	C	D	E
P907-RAG-EZF-2516	16 in (40.5 cm)	25 in (63.5 cm)	1/4 in (.63 cm)	5 in (12.7 cm)	3/4 in (.19 cm)
P907-RAG-EZF-2520	20 in (51 cm)	26 in (66 cm)	1/4 in (.63 cm)	5 in (12.7 cm)	3/4 in (.19 cm)



**Easy Assembly and Installation**



# Totaline® EZ Flex Filter Cabinet

The Totaline® **EZFLEX** Filter Cabinet is available in six sizes, four vertical models 14" x 25" with wide flange to fit 14" wide furnace, 16" x 25" to fit 17" furnace, 20" x 25" to fit 20" furnace, 24" x 24" to fit 24" furnace. Vertical model **EZFLEX** housings are designed to fit the new Heatwave 80 furnaces. Totaline® **EZFLEX** Filter Cabinets provide easy access for filter changes, and having the **EZFLEX** filter as the replacement for this cabinet will save you time with its quick and easy assembly.



## Cabinet Features:

- Fully insulated cabinet, 18 ga. steel with powder paint finish.
- Easy access hinged door and **EZFLEX** filter makes for quick and easy filter change.
- Can be purchased with or without **EZFLEX** filter

## Specifications:

**Material:** 18 ga. steel construction.

**Construction:** Fully insulated cabinet with hinged door for easy access, high quality latch and gasket on door creates a tight seal.

**Finish:** Powder paint, grey

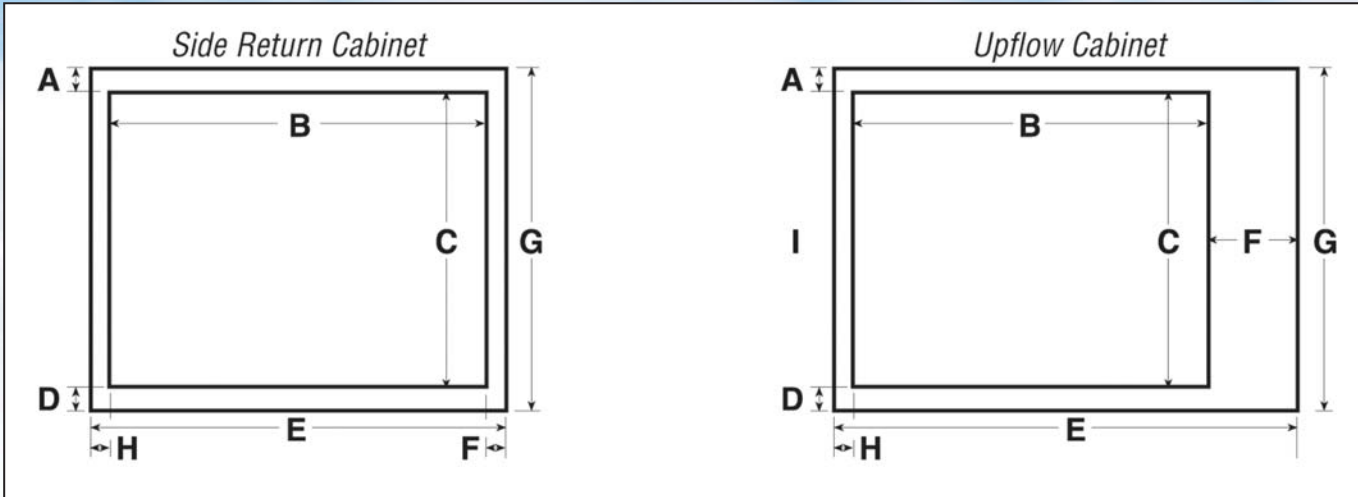
Filter Cabinet Model Number	Filter Size (inch)	EZ Flex Kit*	EZ Flex Media Only**
<b>Side Return Painted Cabinet Without Filter</b>			
EZF1625SRP	16 x 25	EXPXXUNV0016	EXPXXFIL0016
EZF2025SRP	20 x 25	EXPXXUNV0020	EXPXXFIL0020
<b>Side Return Painted Cabinet With Filter</b>			
EZF1625SRP-WF	16 x 25	EXPXXUNV0016	EXPXXFIL0016
EZF2025SRP-WF	20 x 25	EXPXXUNV0020	EXPXXFIL0020
<b>Upflow Painted Cabinet Without Filter</b>			
EZF1425UFP	14 x 25	EXPXXUNV0016	EXPXXFIL0016
EZF1625UFP	16 x 25	EXPXXUNV0016	EXPXXFIL0016
EZF2025UFP	20 x 25	EXPXXUNV0020	EXPXXFIL0020
EZF2425UFP	24 x 24	EXPXXUNV0024	EXPXXFIL0024
<b>Upflow Painted Cabinet With Filter</b>			
EZF1425UFP-WF	14 x 25	EXPXXUNV0016	EXPXXFIL0016
EZF1625UFP-WF	16 x 25	EXPXXUNV0016	EXPXXFIL0016
EZF2025UFP-WF	20 x 25	EXPXXUNV0020	EXPXXFIL0020
EZF2425UFP-WF	24 x 24	EXPXXUNV0024	EXPXXFIL0024

\* The EZ-Flex kit includes the plastic end panels in the box.

\*\* The media only can be used only if the filter has the end panels from a previous installation. These filters are direct replacements for EZ-Flex filter assemblies.



Universal HVAC/R  
Parts and Supplies



**Dimensions**

Filter Cabinet Model number	A	B	C	D	E	F	G	H	I
<b>Side Return Cabinet</b>									
EZF1625SRP	1.375 in (.35 cm)	24 in (61 cm)	14.625 in (37 cm)	1.375 in (.35 cm)	26 in (66 cm)	1 in (.26 cm)	17.375 in (44.1 cm)	1 in (.26 cm)	-
EZF2025SRP	1.375 in (.35 cm)	24 in (61 cm)	18.625 in (47.3 cm)	1.375 in (.35 cm)	26 in (66 cm)	1 in (.26 cm)	21.375 in (54.2 cm)	1 in (.26 cm)	-
<b>Upflow Cabinet</b>									
EZF1425UFP	2.875 in (.73 cm)	22.25 in (56.5 cm)	12.625 in (32 cm)	2.875 in (.73 cm)	29 in (73.6 cm)	5.75 in (14.6 cm)	17.375 in (44.1 cm)	1 in (.26 cm)	5.875 in (14.9 cm)
EZF1625UFP	1.375 in (.35 cm)	22.25 in (56.5 cm)	14.625 in (37 cm)	1.375 in (.35 cm)	29 in (73.6 cm)	5.75 in (14.6 cm)	17.375 in (44.1 cm)	1 in (.26 cm)	5.875 in (14.9 cm)
EZF2025UFP	1.375 in (.35 cm)	22.25 in (56.5 cm)	18.625 in (47.3 cm)	1.375 in (.35 cm)	29 in (73.6 cm)	5.75 in (14.6 cm)	21.375 in (54.2 cm)	1 in (.26 cm)	5.875 in (14.9 cm)
EZF2425UFP	1.375 in (.35 cm)	22.25 in (56.5 cm)	22.625 in (57.4 cm)	1.375 in (.35 cm)	29 in (73.6 cm)	5.75 in (14.6 cm)	25.375 in (64.4 cm)	1 in (.26 cm)	5.875 in (14.9 cm)



# Totaline® Filter Housing for Gas Furnaces



The Totaline® Air-Tite Series Filter Housings offer the most well-built, sleek designed and easiest to use galvanized sheet metal filter housings on the market, for residential and light commercial use. It allows for easy access to furnace filters—no panels or door to remove. The housing is made to fit all gas furnaces through 5 tons and makes a clean and professional installation. Uses standard size pleated or panel filters.

## Standard Features:

- Fully hinged door with magnetic latch and integrated handle provide a tight seal, eliminating air and debris from entering the filter box from surrounding area.
- Removable rails are easy to change to accommodate different filter sizes.
- Heavy 22 gauge galvanized sheet metal has been die cut for smooth edges.
- Solid one piece wrap cabinet design is spot welded and riveted for sturdiness and long life.
- Tabs have rounded corners, which lessens chances of damage in transit or installation injury.
- Mounting holes are provided for faster installation.
- Individually boxed for convenient shipping and warehousing.
- Limited Lifetime Warranty.



Universal HVAC/R  
Parts and Supplies

## Filter Housing For HEATWAVE Gas Furnace

### AIR-TITE Housing For 1" Filters

PART NUMBER	OUTSIDE DIMENSIONS			OPENING		FILTER SIZE
	W	H	L	W1	L1	
P102-FHG1425NCHW80	15 <sup>3</sup> / <sub>8</sub>	3	28 <sup>1</sup> / <sub>2</sub>	12 <sup>5</sup> / <sub>8</sub>	25 <sup>1</sup> / <sub>4</sub>	14 x 25
P102-FHG1625NCHW80	17 <sup>3</sup> / <sub>8</sub>	3	28 <sup>1</sup> / <sub>2</sub>	14 <sup>5</sup> / <sub>8</sub>	25 <sup>1</sup> / <sub>4</sub>	16 x 25
P102-FHG2025NCHW80	21 <sup>3</sup> / <sub>8</sub>	3	28 <sup>1</sup> / <sub>2</sub>	18 <sup>5</sup> / <sub>8</sub>	25 <sup>1</sup> / <sub>4</sub>	20 x 25
P102-FHG2424NCHW80	25 <sup>3</sup> / <sub>8</sub>	3	28 <sup>1</sup> / <sub>2</sub>	22 <sup>5</sup> / <sub>8</sub>	25 <sup>1</sup> / <sub>4</sub>	24 x 24
P102-FHG3025NCHW80	31 <sup>3</sup> / <sub>8</sub>	3	28 <sup>1</sup> / <sub>2</sub>	28 <sup>5</sup> / <sub>8</sub>	25 <sup>1</sup> / <sub>4</sub>	30 x 25

## Filter Housing For Gas Furnace

### AIR-TITE Housing For 1" Filters

PART NUMBER	OUTSIDE DIMENSIONS			OPENING		FILTER SIZE
	W	H	L	W1	L1	
P102-FHG1425-2	15 <sup>3</sup> / <sub>8</sub>	3	28 <sup>1</sup> / <sub>2</sub>	12 <sup>5</sup> / <sub>8</sub>	25 <sup>1</sup> / <sub>4</sub>	14 x 25
P102-FHG1625-2	17 <sup>3</sup> / <sub>8</sub>	3	28 <sup>1</sup> / <sub>2</sub>	14 <sup>5</sup> / <sub>8</sub>	25 <sup>1</sup> / <sub>4</sub>	16 x 25
P102-FHG2025-2	21 <sup>3</sup> / <sub>8</sub>	3	28 <sup>1</sup> / <sub>2</sub>	18 <sup>5</sup> / <sub>8</sub>	25 <sup>1</sup> / <sub>4</sub>	20 x 25
P102-FHG2424-2	25 <sup>3</sup> / <sub>8</sub>	3	28 <sup>1</sup> / <sub>2</sub>	22 <sup>5</sup> / <sub>8</sub>	25 <sup>1</sup> / <sub>4</sub>	24 x 24
P102-FHG3025-2	31 <sup>3</sup> / <sub>8</sub>	3	28 <sup>1</sup> / <sub>2</sub>	28 <sup>5</sup> / <sub>8</sub>	25 <sup>1</sup> / <sub>4</sub>	30 x 25

### AIR-TITE Housing For 1" or 2" Filters

PART NUMBER	OUTSIDE DIMENSIONS			OPENING		FILTER SIZE
	W	H	L	W1	L1	
P102-FHG1425-3HW80	15 <sup>3</sup> / <sub>8</sub>	4	28 <sup>1</sup> / <sub>2</sub>	12 <sup>5</sup> / <sub>8</sub>	25 <sup>1</sup> / <sub>4</sub>	14 x 25
P102-FHG1625-3HW80	17 <sup>3</sup> / <sub>8</sub>	4	28 <sup>1</sup> / <sub>2</sub>	14 <sup>5</sup> / <sub>8</sub>	25 <sup>1</sup> / <sub>4</sub>	16 x 25
P102-FHG2025-3HW80	21 <sup>3</sup> / <sub>8</sub>	4	28 <sup>1</sup> / <sub>2</sub>	18 <sup>5</sup> / <sub>8</sub>	25 <sup>1</sup> / <sub>4</sub>	20 x 25
P102-FHG2424-3HW80	25 <sup>3</sup> / <sub>8</sub>	4	28 <sup>1</sup> / <sub>2</sub>	28 <sup>5</sup> / <sub>8</sub>	25 <sup>1</sup> / <sub>4</sub>	24 x 24
P102-FHG3025-3HW80	31 <sup>3</sup> / <sub>8</sub>	4	28 <sup>1</sup> / <sub>2</sub>	28 <sup>5</sup> / <sub>8</sub>	25 <sup>1</sup> / <sub>4</sub>	30 x 25

### AIR-TITE Housing For 1" or 2" Filters

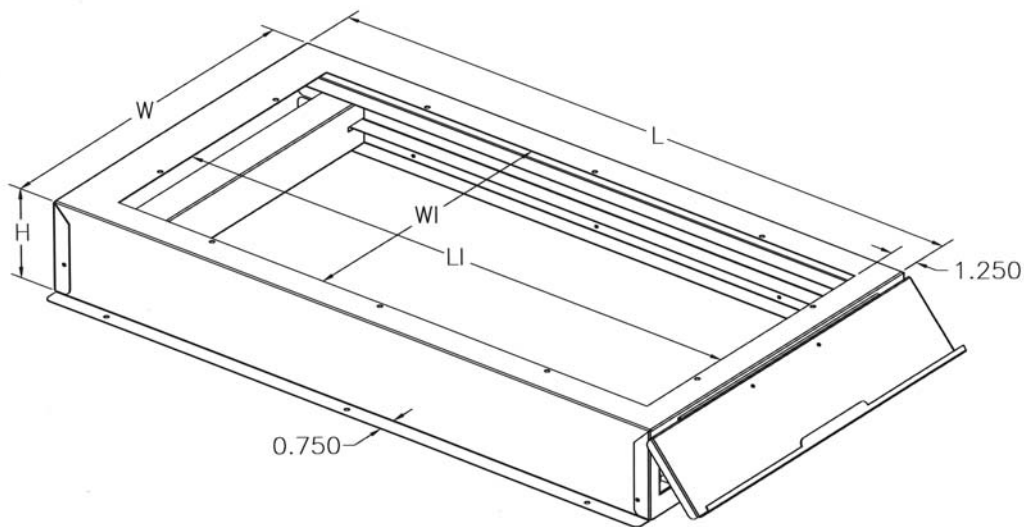
PART NUMBER	OUTSIDE DIMENSIONS			OPENING		FILTER SIZE
	W	H	L	W1	L1	
P102-FHG1425-3	15 <sup>3</sup> / <sub>8</sub>	4	28 <sup>1</sup> / <sub>2</sub>	12 <sup>5</sup> / <sub>8</sub>	25 <sup>1</sup> / <sub>4</sub>	14 x 25
P102-FHG1625-3	17 <sup>3</sup> / <sub>8</sub>	4	28 <sup>1</sup> / <sub>2</sub>	14 <sup>5</sup> / <sub>8</sub>	25 <sup>1</sup> / <sub>4</sub>	16 x 25
P102-FHG2025-3	21 <sup>3</sup> / <sub>8</sub>	4	28 <sup>1</sup> / <sub>2</sub>	18 <sup>5</sup> / <sub>8</sub>	25 <sup>1</sup> / <sub>4</sub>	20 x 25
P102-FHG2424-3	25 <sup>3</sup> / <sub>8</sub>	4	28 <sup>1</sup> / <sub>2</sub>	22 <sup>5</sup> / <sub>8</sub>	25 <sup>1</sup> / <sub>4</sub>	24 x 24
P102-FHG3025-3	31 <sup>3</sup> / <sub>8</sub>	4	28 <sup>1</sup> / <sub>2</sub>	28 <sup>5</sup> / <sub>8</sub>	25 <sup>1</sup> / <sub>4</sub>	30 x 25

### AIR-TITE Housing For 1", 2" or 4" Filters

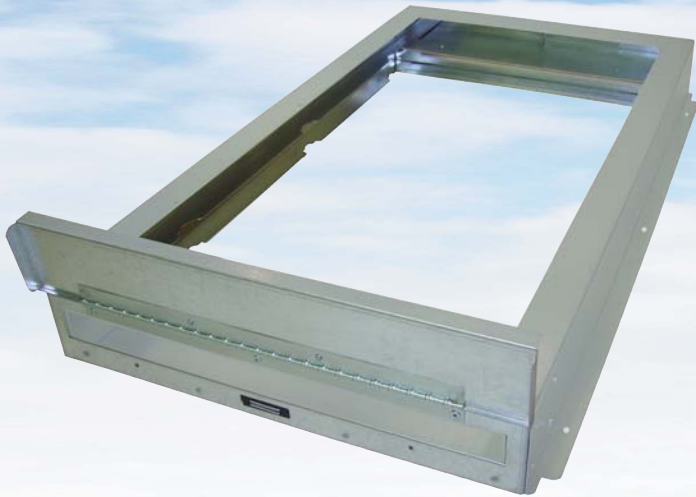
PART NUMBER	OUTSIDE DIMENSIONS			OPENING		FILTER SIZE
	W	H	L	W1	L1	
P102-FHG1425-6HW80	15 <sup>3</sup> / <sub>8</sub>	6	28 <sup>1</sup> / <sub>2</sub>	12 <sup>5</sup> / <sub>8</sub>	25 <sup>1</sup> / <sub>4</sub>	14 x 25
P102-FHG1625-6HW80	17 <sup>3</sup> / <sub>8</sub>	6	28 <sup>1</sup> / <sub>2</sub>	14 <sup>5</sup> / <sub>8</sub>	25 <sup>1</sup> / <sub>4</sub>	16 x 25
P102-FHG2025-6HW80	21 <sup>3</sup> / <sub>8</sub>	6	28 <sup>1</sup> / <sub>2</sub>	18 <sup>5</sup> / <sub>8</sub>	25 <sup>1</sup> / <sub>4</sub>	20 x 25
P102-FHG2424-6HW80	25 <sup>3</sup> / <sub>8</sub>	6	28 <sup>1</sup> / <sub>2</sub>	22 <sup>5</sup> / <sub>8</sub>	25 <sup>1</sup> / <sub>4</sub>	24 x 24
P102-FHG3025-6HW80	31 <sup>3</sup> / <sub>8</sub>	6	28 <sup>1</sup> / <sub>2</sub>	28 <sup>5</sup> / <sub>8</sub>	25 <sup>1</sup> / <sub>4</sub>	30 x 25

### AIR-TITE Housing For 1", 2" or 4" Filters

PART NUMBER	OUTSIDE DIMENSIONS			OPENING		FILTER SIZE
	W	H	L	W1	L1	
P102-FHG1425-6	15 <sup>3</sup> / <sub>8</sub>	6	28 <sup>1</sup> / <sub>2</sub>	12 <sup>5</sup> / <sub>8</sub>	25 <sup>1</sup> / <sub>4</sub>	14 x 25
P102-FHG1625-6	17 <sup>3</sup> / <sub>8</sub>	6	28 <sup>1</sup> / <sub>2</sub>	14 <sup>5</sup> / <sub>8</sub>	25 <sup>1</sup> / <sub>4</sub>	16 x 25
P102-FHG2025-6	21 <sup>3</sup> / <sub>8</sub>	6	28 <sup>1</sup> / <sub>2</sub>	18 <sup>5</sup> / <sub>8</sub>	25 <sup>1</sup> / <sub>4</sub>	20 x 25
P102-FHG2424-6	25 <sup>3</sup> / <sub>8</sub>	6	28 <sup>1</sup> / <sub>2</sub>	22 <sup>5</sup> / <sub>8</sub>	25 <sup>1</sup> / <sub>4</sub>	24 x 24
P102-FHG3025-6	31 <sup>3</sup> / <sub>8</sub>	6	28 <sup>1</sup> / <sub>2</sub>	28 <sup>5</sup> / <sub>8</sub>	25 <sup>1</sup> / <sub>4</sub>	30 x 25



# Totaline® Filter Housing for Electric Air Handlers



The Totaline® Air-Tite Series Filter Housings offer the most well-built, sleek designed and easiest to use galvanized sheet metal filter housings on the market, for residential and light commercial use. It allows for easy access to furnace filters—no panels or door to remove. The housing is made to fit all electric air handlers through 5 tons and makes a clean and professional installation. Uses standard size pleated or panel filters.

## Standard Features:

- Fully hinged door with magnetic latch and integrated handle provide a tight seal, eliminating air and debris from entering the filter box from surrounding area.
- Removable rails are easy to change to accommodate different filter sizes.
- Heavy 22 gauge galvanized sheet metal has been die cut for smooth edges.
- Solid one piece wrap cabinet design is spot welded and riveted for sturdiness and long life.
- Tabs have rounded corners, which lessens chances of damage in transit or installation injury.
- Mounting holes are provided for faster installation.
- Individually boxed for convenient shipping and warehousing.
- Limited Lifetime Warranty.

## AIR-TITE Housing For 1" Filters

PART NUMBER	OUTSIDE DIMENSIONS			OPENING		FILTER SIZE
	W	H	L	W1	L1	
P102-FHE1420-2	15 <sup>3</sup> / <sub>8</sub>	3	22	12 <sup>5</sup> / <sub>8</sub>	18 <sup>3</sup> / <sub>4</sub>	14 x 20
P102-FHE1620-2	17 <sup>3</sup> / <sub>8</sub>	3	22	14 <sup>5</sup> / <sub>8</sub>	18 <sup>3</sup> / <sub>4</sub>	16 x 20
P102-FHE2020-2	21 <sup>3</sup> / <sub>8</sub>	3	22	18 <sup>5</sup> / <sub>8</sub>	18 <sup>3</sup> / <sub>4</sub>	20 x 20
P102-FHE2025-2	26 <sup>3</sup> / <sub>8</sub>	3	22	23 <sup>5</sup> / <sub>8</sub>	18 <sup>3</sup> / <sub>4</sub>	20 x 25
P102-FHE2025-2N	21 <sup>3</sup> / <sub>8</sub>	3	25	18 <sup>5</sup> / <sub>8</sub>	21 <sup>3</sup> / <sub>4</sub>	20 x 25

## AIR-TITE Housing For 1" or 2" Filters

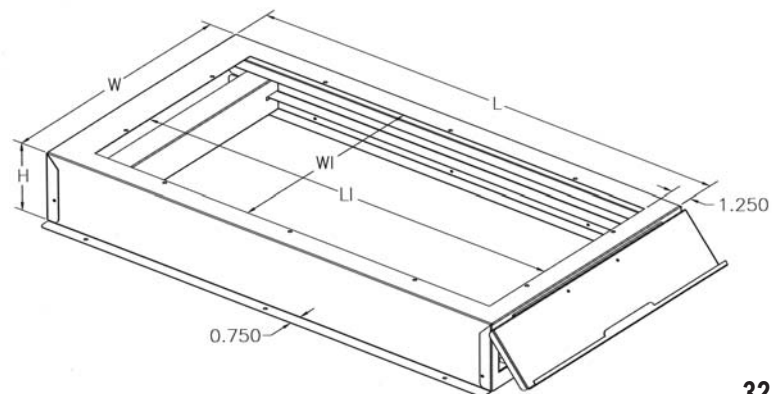
PART NUMBER	OUTSIDE DIMENSIONS			OPENING		FILTER SIZE
	W	H	L	W1	L1	
P102-FHE1420-3	15 <sup>3</sup> / <sub>8</sub>	4	22	12 <sup>5</sup> / <sub>8</sub>	18 <sup>3</sup> / <sub>4</sub>	14 x 20
P102-FHE1620-3	17 <sup>3</sup> / <sub>8</sub>	4	22	14 <sup>5</sup> / <sub>8</sub>	18 <sup>3</sup> / <sub>4</sub>	16 x 20
P102-FHE2020-3	21 <sup>3</sup> / <sub>8</sub>	4	22	18 <sup>5</sup> / <sub>8</sub>	18 <sup>3</sup> / <sub>4</sub>	20 x 20
P102-FHE2020-3T	23 <sup>1</sup> / <sub>2</sub>	4	22	19 <sup>3</sup> / <sub>4</sub>	18 <sup>3</sup> / <sub>4</sub>	20 x 20
P102-FHE2025-3	26 <sup>3</sup> / <sub>8</sub>	4	22	23 <sup>5</sup> / <sub>8</sub>	18 <sup>3</sup> / <sub>4</sub>	20 x 25
P102-FHE2025-3N	21 <sup>3</sup> / <sub>8</sub>	4	25	18 <sup>5</sup> / <sub>8</sub>	21 <sup>3</sup> / <sub>4</sub>	20 x 25

## AIR-TITE Housing For 1", 2" or 4" Filters

PART NUMBER	OUTSIDE DIMENSIONS			OPENING		FILTER SIZE
	W	H	L	W1	L1	
P102-FHE1420-6	15 <sup>3</sup> / <sub>8</sub>	6	22	12 <sup>5</sup> / <sub>8</sub>	18 <sup>3</sup> / <sub>4</sub>	14 x 20
P102-FHE1620-6	17 <sup>3</sup> / <sub>8</sub>	6	22	14 <sup>5</sup> / <sub>8</sub>	18 <sup>3</sup> / <sub>4</sub>	16 x 20
P102-FHE2020-6	21 <sup>3</sup> / <sub>8</sub>	6	22	18 <sup>5</sup> / <sub>8</sub>	18 <sup>3</sup> / <sub>4</sub>	20 x 20
P102-FHE2020-6T	23 <sup>1</sup> / <sub>2</sub>	6	22	19 <sup>3</sup> / <sub>4</sub>	18 <sup>3</sup> / <sub>4</sub>	20 x 20
P102-FHE2025-6	26 <sup>3</sup> / <sub>8</sub>	6	22	23 <sup>5</sup> / <sub>8</sub>	18 <sup>3</sup> / <sub>4</sub>	20 x 25
P102-FHE2025-6N	21 <sup>3</sup> / <sub>8</sub>	6	25	18 <sup>5</sup> / <sub>8</sub>	21 <sup>3</sup> / <sub>4</sub>	20 x 25

## AIR-TITE Housing For 5¼" MERV 11 Media Filters

PART NUMBER	OUTSIDE DIMENSIONS			OPENING		FILTER SIZE	REPLACEMENT FILTER
	W	H	L	W1	L1		
P102-FHE1420-7	15 <sup>3</sup> / <sub>8</sub>	7 <sup>3</sup> / <sub>8</sub>	22 <sup>1</sup> / <sub>8</sub>	12 <sup>1</sup> / <sub>2</sub>	18	14 x 22	P102-MAH-1056A
P102-FHE1620-7	17 <sup>3</sup> / <sub>8</sub>	7 <sup>3</sup> / <sub>8</sub>	22 <sup>1</sup> / <sub>8</sub>	14 <sup>3</sup> / <sub>8</sub>	18	15 <sup>7</sup> / <sub>16</sub> x 21 <sup>15</sup> / <sub>16</sub>	P102-MFAH-S
P102-FHE2020-7	21 <sup>1</sup> / <sub>8</sub>	7 <sup>3</sup> / <sub>8</sub>	22 <sup>1</sup> / <sub>8</sub>	18 <sup>1</sup> / <sub>8</sub>	18	19 <sup>3</sup> / <sub>4</sub> x 22	P102-MAH1056B
P102-FHE2025-7	26 <sup>3</sup> / <sub>8</sub>	7 <sup>3</sup> / <sub>8</sub>	22 <sup>1</sup> / <sub>8</sub>	23 <sup>1</sup> / <sub>8</sub>	18	20 <sup>1</sup> / <sub>4</sub> x 25 <sup>3</sup> / <sub>8</sub>	P102-2025
P102-FHE2025-7N	21 <sup>1</sup> / <sub>8</sub>	7 <sup>3</sup> / <sub>8</sub>	25 <sup>1</sup> / <sub>8</sub>	18 <sup>1</sup> / <sub>8</sub>	21 <sup>3</sup> / <sub>8</sub>	20 <sup>1</sup> / <sub>4</sub> x 25 <sup>3</sup> / <sub>8</sub>	P102-2025
P102-FHE2024-7	23 <sup>3</sup> / <sub>8</sub>	7 <sup>3</sup> / <sub>8</sub>	24 <sup>1</sup> / <sub>8</sub>	20 <sup>5</sup> / <sub>8</sub>	20	21 <sup>1</sup> / <sub>8</sub> x 24	P102-MFAH-L



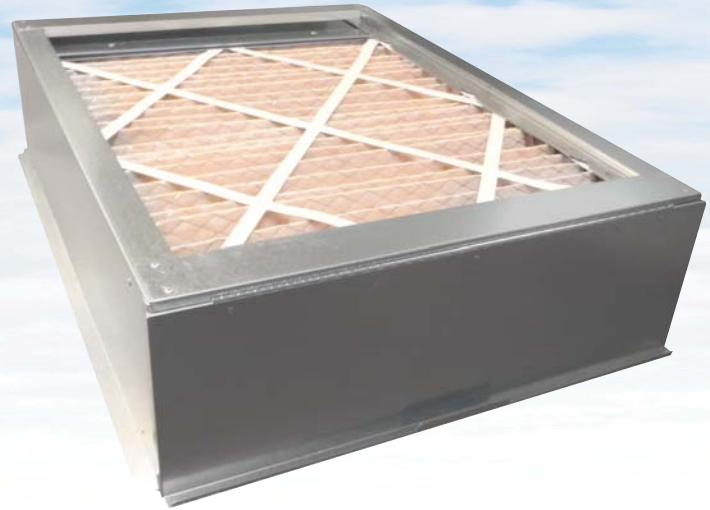
Universal HVAC/R  
Parts and Supplies



# Totaline® Filter Housing Media Air Cleaners for Gas Furnaces

The Totaline® Air-Tite Series Filter Housing Media Air Cleaners offer the most well-built, sleek designed and easiest to use galvanized sheet metal filter housings on the market, for residential and light commercial use.

- Allows for easy access to furnace filters—no panels or door to remove.
- Made to fit gas upflow furnaces.
- Makes a clean and professional installation.
- High efficiency MERV 11 Media Filter is an extra deep, 5¼ inch, 24 pleat filter which contains more media material than other filters on the market. More surface area means more collection area, longer filter life and lower static pressure. Filter lasts up to one year.



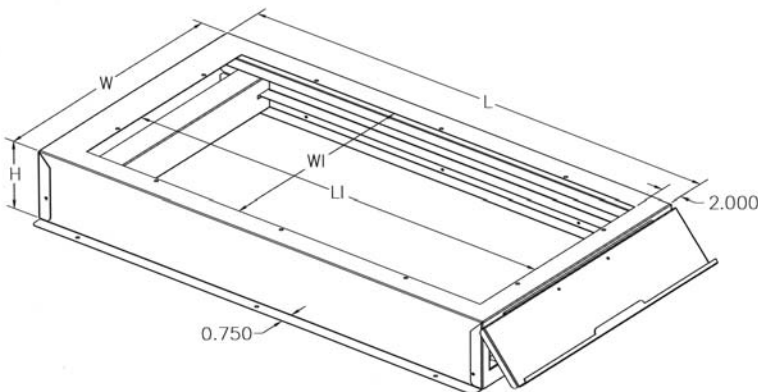
## Standard Features:

- Fully hinged door with magnetic latch and integrated handle provide a tight seal, eliminating air and debris from entering the filter box from surrounding area.
- Heavy 22 gauge galvanized sheet metal has smooth edges allowing for a smooth installation.
- Solid cabinet design for sturdiness and long life.
- Tabs have rounded corners.
- Mounting holes are provided for faster installation.
- Individually boxed for convenient shipping and warehousing.
- Limited Lifetime Warranty.

## Dimensions

Model	Outside Dimensions			Opening		Filter Size	Replacement Filter
	W	H	L	W1	L1		
P102-FHG1425-7M1*	17⅝	7⅝	28½	12⅝	24⅝	16 x 25	P102-1625
P102-FHG1625-7M1	17⅝	7⅝	28½	14⅝	24⅝	16 x 25	P102-1625
P102-FHG2025-7M8	21⅝	7⅝	28½	18⅝	24⅝	20 x 25	P102-2025

\* Use for 14 inch wide furnace only.



# Totaline® Filter Housing for Gas & Electric Air Handlers

The Totaline® Perfect-Platform Series Filter Housings offer the most well-built, sleek designed and easiest to use galvanized sheet metal filter housings on the market, for residential and light commercial use. The space saving design for vertical installations, keeps furnace off floor eliminating need for wooden platform, thereby reducing installation time and costs.

The Filter Housing allows for easy access to furnace filters without having to enter furnace.

The Filter Housing uses 1", 2" or 4" standard size pleated or panel filters which are positioned on an angle to maximize surface area. They are made to fit 1-3 ton or 3.5 ton electric air handlers or gas furnaces.

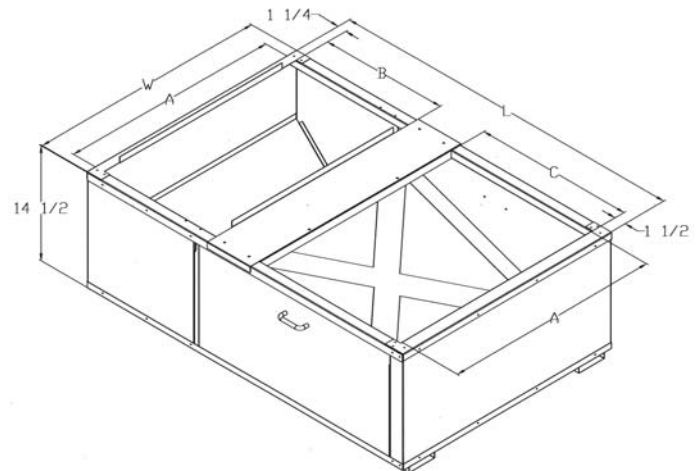


## Standard Features:

- Two, pull-out doors with handle allow filter access from either side.
- Adjustable inlet duct opening replaces need for field forming transition, significantly reducing installation time.
- Removable rails are easy to change to accommodate different filter sizes.
- Heavy gauge galvanized sheet metal has been die cut for smooth edges.
- Solid one piece wrap cabinet design is spot welded and riveted for sturdiness and long life.
- Individually boxed for convenient shipping and warehousing.
- Limited Lifetime Warranty.

## Dimensions

PART NUMBER	W	L	A	B	C	FILTER SIZE
P102-FB2832	28½	32	26½	8	13½	20 x 25
P102-FB2843	28½	43	26½	10/12	19/22½	24 x 24
P102-FB2232	22½	32	20½	9½	14½	20 x 20
P102-FB2240	22½	40	20½	12	20	20 x 25



Universal HVAC/R  
Parts and Supplies

# Totaline® Media Air Cleaner Platforms for Gas & Electric Furnaces

The Totaline® Perfect-Platform Series Media Air Cleaner Platform from Totaline® offers the most well-built, sleek designed and easiest to use galvanized sheet metal filter housings on the market, for residential and light commercial use. The space saving design for vertical installations, keeps furnace off the floor allowing a cleaner, more professional installation. The platform helps eliminates the possibility of dust, pet hair, insects, rodents, water or sewer backup from entering the furnace. The platform also allows the filter to work at maximum efficiency by eliminating the need for transitions, deflectors or turning vanes, thereby saving installation time and costs.

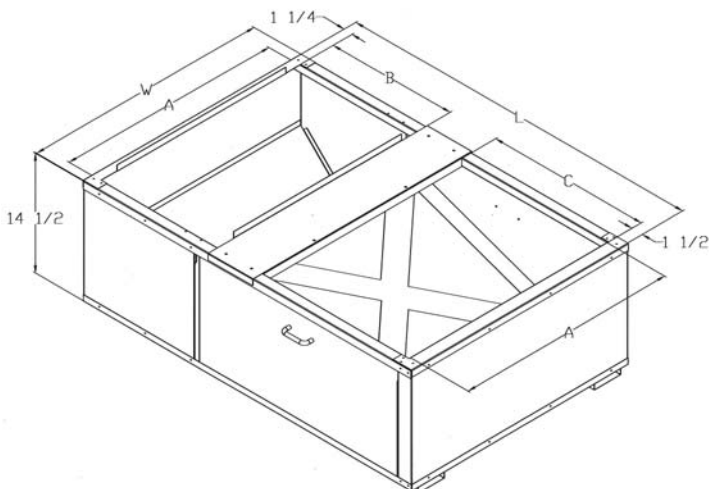


## Standard Features:

- High efficiency MERV 11 Media Filter is an extra deep, 5¼ inch, 24 pleat filter which contains more media material than other filters on the market. More surface area means more collection area, longer filter life and lower static pressure. Filter lasts up to one year.
- Two, pull-out doors with handles allow filter access from both sides.
- Adjustable inlet duct opening replaces need for field forming transition, significantly reducing installation time.
- Heavy 22 gauge galvanized sheet metal has been die cut for smooth edges, allowing for a smoother installation.
- Individually boxed for convenient shipping and warehousing.
- Limited Lifetime Warranty.

## Dimensions

PART NUMBER	W	L	A	B	C	FILTER SIZE	REPLACEMENT FILTER
P102-FB2832-M8	28½	32	26½	8	13½	20 x 25	P102-2025
P102-FB2843-M8	28½	43	26½	10/12	19/22½	20 x 25	P102-2025
P102-FB2232-M2	22½	32	20½	9½	14½	20 x 20	P102-2020
P102-FB2240-M8	22½	40	20½	12	20	20 x 25	P102-2025





# Totaline® Fan and Bypass Humidifiers

## P110-LFP1518, P110-LBP2417, P110-SBP2412



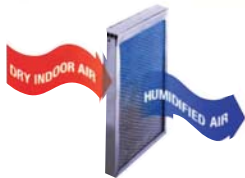
P110-LBP2417



P110-SBP2412



P110-LFP1518



As warm air passes through the humidifier pad and water flows through it, natural evaporation takes place. This creates comforting humidity which is distributed throughout the house by your forced air heating system.



4363

### Optimal generation of comforting moisture.

Working together, Totaline's water solenoid valve, water metering orifice, water distribution tray and aluminum humidifier pad efficiently generate maximum levels of comforting moisture.

### Simple, Infrequent Maintenance.

Totaline humidifiers are designed for easy serviceability. In most instances it takes less than ½ hour since maintenance (including changing the humidifier pad) is performed once a season. Unlike portables, there are no reservoirs which need to be frequently cleaned and refilled.

### Long Lasting high quality components.

With proper maintenance, your humidifier will last for many years. That's because it's designed with durable UV and corrosion resistant plastic. This plastic resists deterioration even when exposed to Ultraviolet light sources common in many systems today.

### Three humidity control options.

Choose between 3 separate control options; the humidistat, the HumidiTrac and the Thermidstat control. Each option provides precise control of humidity levels in your home.

### Quiet Operation.

Nearly silent operation is the result of Totaline Humidifier's precision engineered fan and motor combination in the large fan powered unit. In all Totaline units, air is quietly drawn through the humidifier pad which efficiently turns water into water vapor to humidify your home.

### Warranty

Electrical components are covered by a **five-year limited warranty** and the entire unit is backed by a **one-year limited warranty**.



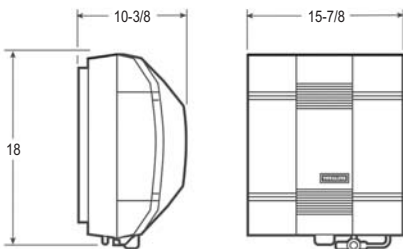
Universal HVAC/R  
Parts and Supplies

## Physical Data:

HUMIDIFIER	Model P110-LFP1518	Model P110-LBP2417	Model P110-SBP2412
Gallons Per Day**	18 GPD**	17 GPD**	12 GPD**
Water Feed Rate	6 gal/hr	3 gal/hr	3 gal/hr
<b>TYPE</b>			
Airflow	Fan	Bypass	Bypass
Waterflow	Drain Through	Drain Through	Drain Through
<b>GENERAL</b>			
Evaporator Pad Replacement	P110-3545	P110-3545	P110-1045
Evaporator Pad Size H x W x D (in.)	13 x 10 x 1-11/16	13 x 10 x 1-11/16	9-7/8 x 9-5/8 x 1-11/16
Pad Access	Quick Release Cover	Quick Release Cover	Quick Release Cover
Unit Size includes solenoid valve H x W x D (in.)	15-15/16 x 15-7/8 x 10-3/8	15-1/2 x 13-1/8 x 9-1/8	12-3/4 x 12-3/4 x 9-1/8
Weight	15.7 lbs.	8.3 lbs.	7.4 lbs.
Transformer	Class 2, 10VA (Included)	Class 2, 10VA (Included)	Class 2, 10VA (Included)
Water Usage	6 gal/hr	3 gal/hr	3 gal/hr
<b>ELECTRICAL CONTROL</b>			
<b>LOW VOLTAGE TERMINALS</b>			
Volts	24V - 60Hz	24V - 60Hz	24V - 60Hz
Amps. (Max)	0.5	0.5	0.5
VA (Max)	12	12	12
Watts	6	6	6
<b>HIGH VOLTAGE CORD</b>			
Volts	115V - 1ph - 60Hz	N/A	N/A
Amps. (Max)	10 amp rating	N/A	N/A
<b>CONNECTIONS</b>			
Water Inlet	1/4 inch copper tubing	1/4 inch copper tubing	1/4 inch copper tubing
Water Drain	1/2 inch I.D. plastic hose	1/2 inch I.D. plastic hose	1/2 inch I.D. plastic hose
Bypass Opening	N/A	6 inch round elbow or straight	6 inch round elbow or straight
Duct Opening W x H (in.)	14-3/4 x 14-5/16	9-7/8 x 12-5/8	9-1/2 x 9-1/2
<b>STANDARD EQUIPMENT</b>			
Water Valve	Solenoid, 24 VAC	Solenoid, 24 VAC	Solenoid, 24 VAC
Motor* Thermal Protection	120 VAC	N/A	N/A
Relay DPDT	24 VAC	N/A	N/A
Humidistat	24 V	24 V	24 V
Saddle Valve	Standard	Standard	Standard
Damper	N/A	Built-in, 6 inch round	Built-in, 6 inch round
Template	Installation Template Included	Installation Template Included	Installation Template Included
<b>ACCESSORIES</b>			
HumidiTrac Automatic Control	P110-0056	P110-0056	P110-0056
Current Sensing Relay	P110-0050	P110-0050	P110-0050

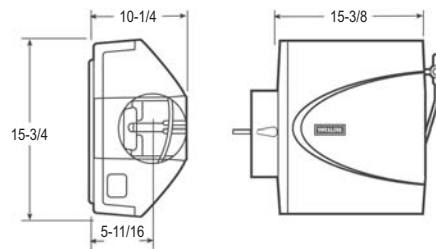
\* 14mHP (0.014H = 1/70 HP)

\*\* Based on 120°F plenum temperature, 71.5°F water temperature



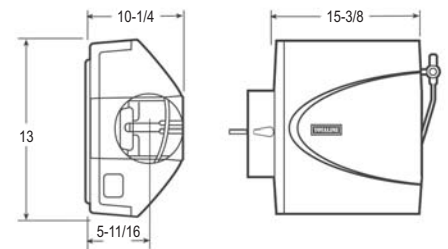
**Model: P110-LFP1518**

Duct Cut Out Size: 14-3/4"W x 14-5/16"H



**Model: P110-LBP2417**

Duct Cut Out Size: 9-7/8"W x 12-5/8"H



**Model: P110-SBP2412**

Duct Cut Out Size: 9-1/2"W x 9-1/2"H

# Totaline® 4-Wire Duct Smoke Detectors

## Photoelectric, Adjustable Mount



Totaline® 4-Wire Adjustable Mount Photoelectric Duct Smoke Detectors with System Sensor InnovairFlex technology combines an innovative collection of design enhancements and advancements to provide you with the flexibility you need to fit almost any application. Versatile, one unit can accommodate multiple installation footprints to overcome mounting constraints. The Totaline® P270-3000PL and the P270-D4120W Duct Smoke Detectors are both UL Listed.

### Features

- Photoelectric, integrated low-flow technology
- Air velocity rating from 100 ft/min to 4,000 ft/min (0.5 m/s to 20.32 m/sec)
- Versatile mounting options: square or rectangular configuration
- Plug-in sensor offers superb false alarm immunity and the latest sensor technology
- Broad ranges for operating temperature (-4°F to 158°F) and humidity (0% to 95% non-condensing)
- Patented sampling tube installs from front or back of the detector with no tools required
- Increased wiring space with a newly added 3/4-inch conduit knockout
- One easy-access Test/Reset button and improved LED status
- System Sensor's patented interconnect feature for multi-fan shutdown.
- New high contrast terminal designations
- Built-in short circuit protection from operator wiring errors.
- Field selectable settings for configuring the detector
- Two DPDT Form-C relay contacts
- 24 VAC/DC or 120VAC.
- Watertight Model additional features;
  - NEMA Type 4 UL listed for non-hazardous indoor and outdoor applications
  - UV Resistant, UL listed housing and cover material

**WARNING:** Duct smoke detectors are **NOT** a substitute for open area smoke detectors; **NOT** a substitute for early warning detection; **NOT** a replacement for a building's regular fire detection system. Refer to NFPA 72 and 90A for additional information.

**NOTE:** To maintain the watertight properties of the P270-D4120W watertight duct smoke detector, watertight conduit and fittings must be used. Mount the product with the conduit holes facing downward, if possible.



Universal HVAC/R  
Parts and Supplies



# Totaline® P270-3000PL Duct Smoke Detector

The Totaline® P270-3000PL 4-wire photoelectric duct smoke detector features a pivoting housing that fits both square and rectangular footprints and mounts to round or rectangular ductwork. This unit senses smoke in the most challenging conditions, operating in airflow speeds of 100 to 4,000 feet per minute, temperatures of -4°F to 158°F, and a humidity range of 0 to 95 percent (non-condensing). A plug-in sensor head offers improved false alarm immunity and simple installation, testing, and maintenance. An improved cover design isolates the sensor head from the low-flow feature for simple maintenance.



## Physical Specifications

<b>Size:</b> (Rectangular Dimensions)	14.38 in (37 cm) Length; 5 in (12.74 cm) Width; 2.5 in (6.36 cm) Depth
<b>Size:</b> (Square Dimensions)	7.75 in (19.7 cm) Length; 9 in (22.9 cm) Width; 2.5 in (6.35 cm) Depth
<b>Weight:</b>	2.5 lbs (1.14 kg)
<b>Operating Temperature Range:</b>	-4° to 158°F (-20° to 70°C)
<b>Storage Temperature Range:</b>	-22° to 158°F (-30° to 70°C)
<b>Operating Humidity Range:</b>	0% to 95% relative humidity non-condensing
<b>Air Duct Velocity:</b>	100 to 4000 ft/min (0.5 to 20.32 m/sec)

## Electrical Ratings

<b>Power supply voltage:</b>	20–29 VDC	24 VAC 50–60 Hz	120 VAC 50–60 Hz
<b>Input capacitance:</b>	270 µF max.	270 µF max.	N/A
<b>Reset voltage:</b>	3.0 VDC min.	2.0 VAC min.	10 VAC min.
<b>Reset time:</b> (with P271-RTS151)	.03 to 0.3 sec.	.03 to 0.3 sec.	.03 to 0.3 sec.
<b>Reset time:</b> (by power down)	0.6 sec. max.	0.6 sec. max.	0.6 sec. max.
<b>Power up time:</b>	35 sec. max.	35 sec. max.	35 sec. max.
<b>Alarm response time:</b>	15 sec.	15 sec.	15 sec.
<b>Sensitivity Test:</b>	See detector label	See detector label	See detector label
<b>Current Requirements:</b> (Using No Accessories)			
<b>Max. standby current:</b>	21 mA @ 24VDC	65 mA RMS @ 24VAC 60Hz	20 mA RMS @ 120VAC 60Hz
<b>Max. alarm current:</b>	65 mA @ 24VDC	135 mA RMS @ 24VAC 60Hz	35 mA RMS @ 120VAC 60Hz

## Contact Ratings

<b>Alarm initiation contacts:</b> (SPST)	2.0A @ 30 VDC (resistive)
<b>Alarm auxiliary contacts:</b> (DPDT)	10A @ 30 VDC (resistive); 10A @ 250 VAC (resistive); ½ HP @ 240 VAC ; ¼ HP @ 120 VAC
<b>Note:</b> Alarm auxiliary contacts shall not be connected to initiating circuits of control panels. Use the alarm initiation contact for this purpose.	
<b>Supervisory contacts:</b> (SPDT)	2.0A @ 30 VDC (resistive); 2.0A @ 125 VAC (resistive)

## Accessory Current Loads at 24 VDC

Device	Standby	Trouble	Alarm
P271-APA151	12.5 mA	n/a	30 mA Max.
P271-MHW	0 mA	n/a	29 mA Max.
P271-RA100Z	0 mA	n/a	12 mA Max.
P271-RTS151/P271-RTS151KEY	0 mA/12 mA	n/a	12 mA Max.
P271-RTS2-AOS	30 mA Max.	16.0 mA Max.	55.0 mA Max. (with AOS strobe)

**Note:** Any combination of accessories may be used such that the given accessory loads are: 110 mA or less at the Aux output, and 50 mA or less at the Alarm output

# Totaline® 4-Wire Duct Smoke Detectors

## Photoelectric, Adjustable Mount

### Totaline® P270-D4120W Watertight Duct Smoke Detector

The Totaline® P270-D4120W watertight 4-wire photoelectric duct smoke detector is UL listed as a watertight enclosure providing protection against falling dirt, rain, windblown dust, splashing and hose directed water. D4120W duct smoke detector features a pivoting housing that fits various applications: both square and rectangular footprints mount to round or rectangular ductwork. This unit senses smoke in the most challenging conditions, operating in airflow speeds of 100 to 4,000 feet per minute, temperatures of -4°F to 158°F, and a humidity range of 0 to 95 percent (non-condensing). A plug-in sensor head offers superior false alarm immunity. These features, plus a NEMA 4 rating, allow operators to mount the detector to rooftop HVAC equipment or use the detector in other harsh environments.



#### Physical Specifications

<b>Size:</b> (Rectangular Dimensions)	14.38 in (37 cm) Length; 5 in (12.74 cm) Width; 2.5 in (6.36 cm) Depth
<b>Size:</b> (Square Dimensions)	7.75 in (19.7 cm) Length; 9 in (22.9 cm) Width; 2.5 in (6.35 cm) Depth
<b>Weight:</b>	2.5 lbs (1.14 kg)
<b>Operating Temperature Range:</b>	-4° to 158°F (-20° to 70°C)
<b>Storage Temperature Range:</b>	-22° to 158°F (-30° to 70°C)
<b>Operating Humidity Range:</b>	0% to 95% relative humidity non-condensing
<b>Air Duct Velocity:</b>	100 to 4000 ft/min (0.5 to 20.32 m/sec)
<b>NEMA Enclosure Rating:</b>	Type 4 – Watertight Indoor/Outdoor

#### Electrical Ratings

<b>Power supply voltage:</b>	20–29 VDC	24 VAC 50–60 Hz	120 VAC 50–60 Hz
<b>Input capacitance:</b>	270 µF max.	270 µF max.	N/A
<b>Reset voltage:</b>	3.0 VDC min.	2.0 VAC min.	10 VAC min.
<b>Reset time:</b> (with P271-RTS151)	.03 to 0.3 sec.	.03 to 0.3 sec.	.03 to 0.3 sec.
<b>Reset time:</b> (by power down)	0.6 sec. max.	0.6 sec. max.	0.6 sec. max.
<b>Power up time:</b>	35 sec. max.	35 sec. max.	35 sec. max.
<b>Alarm response time:</b>	15 sec.	15 sec.	15 sec.
<b>Sensitivity Test:</b>	See detector label	See detector label	See detector label
<b>Current Requirements: (Using No Accessories)</b>			
<b>Max. standby current:</b>	21 mA @ 24VDC	65 mA RMS @ 24VAC 60Hz	20 mA RMS @ 120VAC 60Hz
<b>Max. alarm current:</b>	65 mA @ 24VDC	135 mA RMS @ 24VAC 60Hz	35 mA RMS @ 120VAC 60Hz

#### Contact Ratings

<b>Alarm initiation contacts:</b> (SPST)	2.0A @ 30 VDC (resistive)
<b>Alarm auxiliary contacts:</b> (DPDT)	10A @ 30 VDC (resistive); 10A @ 250 VAC (resistive); ½ HP @ 240 VAC ; ¼ HP @ 120 VAC
<b>Note:</b> Alarm auxiliary contacts shall not be connected to initiating circuits of control panels. Use the alarm initiation contact for this purpose.	
<b>Supervisory contacts:</b> (SPDT)	2.0A @ 30 VDC (resistive); 2.0A @ 125 VAC (resistive)

#### Accessory Current Loads at 24 VDC

Device	Standby	Trouble	Alarm
P271-APA151	12.5 mA	n/a	30 mA Max.
P271-MHW	0 mA	n/a	29 mA Max.
P271-RA100Z	0 mA	n/a	12 mA Max
P271-RTS151/P271-RTS151KEY	0 mA/12 mA	n/a	12 mA Max.
P271-RTS2-AOS	30 mA Max.	16.0 mA Max.	55.0 mA Max. (with AOS strobe)

**Note:** Any combination of accessories may be used such that the given accessory loads are: 110mA or less at the Aux output, and 50mA or less at the Alarm output.



Universal HVAC/R  
Parts and Supplies

# Totaline® Duct Smoke Detector

## Accessories and Ordering Information



Duct smoke detector accessories add functionality to the duct smoke detection system by allowing quick, convenient inspections at eye level and effective audible and visible notification options. All Totaline® duct smoke detectors and accessories are UL listed.

### Part Number Ordering Information

Duct Detectors	Part No.
4-Wire Photoelectric Duct Smoke Detector	P270-3000PL
4-Wire Photoelectric Duct Smoke Detector for Canada	P270-3000C
4-Wire Watertight Photoelectric Duct Smoke Detector	P270-D4120W
4-Wire Photoelectric Sensor Only	P270-D4S
4-Wire Photoelectric Power Component Only	P270-D4P120
4-Wire photoelectric Sensor Head	P271-2D51
Sampling Tubes	Part No.
1.5 ft. Metal Sampling Tube	P271-DST-1.5
3 ft. Metal Sampling Tube	P271-DST-3
5 ft. Metal Sampling Tube	P271-DST-5
10 ft. Metal Sampling Tube	P271-DST-10
Metal Exhaust Tube Extension	P271-ETX

Accessories	Part No.
Piezo Annunciator	P271-APA151
Two Sensor Multi-signaling Accessory	P271-RTS2
Two Sensor Multi-signaling Accessory with Strobe	P271-RTS2-AOS
Two Sensor Add-on Strobe for Multi-accessory	P271-AOS
Remote Test Station	P271-RTS151
Remote Test Station with Key	P271-RTS151KEY
Remote Annunciator	P271-RA100Z
Mini-Horn White	P271-MHW

### Sampling Tube Installation

The sampling tube may be installed from the front or back of the detector. The tube locks securely into place and can be removed by releasing the front or rear locking tab (front locking tab shown below right).



IAQ Safety



# Totaline® UVC Germicidal Object Irradiators

## Residential UV Lights



### Indoor Pollutants Can Affect You, Your Home And Your Comfort System.

Totaline® UV Lights are the perfect addition to today's tightly constructed, highly energy efficient homes. These homes are built to seal in heated or cooled air. Unfortunately, they also do a great job of trapping mold, bacteria, viruses, fungi, dust and other irritants. Airborne irritants are simply a fact of life. Molds can cause flare ups of allergy symptoms, and in some cases, trigger asthma attacks. Bacteria, viruses and germs also can reside in the air you breathe every day. These airborne pollutants can effect your home comfort equipment, too. Allowed to circulate through your home and your system, these and other particles can build up on the indoor coil, inhibiting airflow and reducing heating and cooling efficiency.

Totaline® UV Lights actually eliminate many irritants, leaving your home's air cleaner and fresher. Mounted inside your system near the indoor coil, small lamps direct UV light to the source of potential fungal and microbial growth. Once activated, the UV Light goes to work right away, cleaning the indoor coil. When combined with a Totaline high efficiency air cleaner, you can enjoy improvements to the quality of your indoor air. Totaline UV Lights are available in a single lamp P103-UVLTT1LP1020A01 and a double lamp P103-UVLTT2LP1020A01 models. Your Totaline® dealer can help you select the right UV Light for your home.

### Features:

- **CLEAN, FRESHER AIR.** As a part of a complete system including a Totaline high efficiency air cleaner, the UV Light enhances indoor air quality by reducing the amount of fungi, bacteria and other pollutants on the coil.
- **CONFIDENCE.** Enjoy your enhanced indoor air quality with genuine peace of mind knowing that the UV Light is proven technology that is safe, effective, and energy efficient.
- **EASE OF USE.** This product operates quietly and requires no cleaning or other routine monthly maintenance.
- **LASTING EFFICIENCY.** Just replace the lamps once a year to maintain effectiveness.
- **WARRANTY.** The UV Light is covered with a 5-year limited warranty. The lamps, which require annual replacement, are covered with a 90-day limited warranty.



Universal HVAC/R  
Parts and Supplies

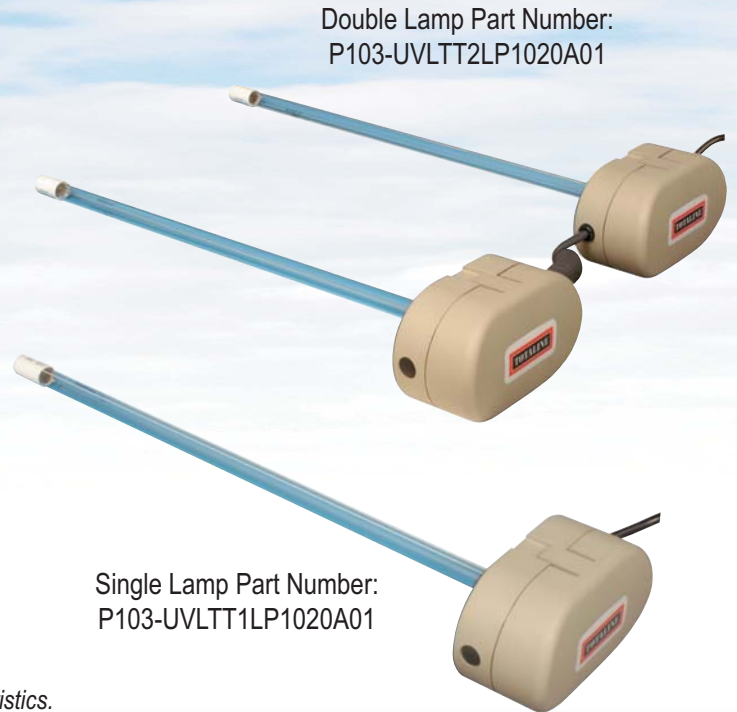
## Trusted Reliability

Using ultraviolet light for cleaning/sanitizing is not a totally new idea. In fact, ultraviolet light has been used for years as a sterilization agent in medical food processing applications. Totaline® has taken the same technology and successfully adapted it for use in home comfort systems. It's reliable and



safe. All you have to do is replace the lamps once a year, then sit back and enjoy the benefits of greatly enhanced indoor air quality.

A very thin film just .002" thick on your indoor coil is all it takes to reduce air flow by as much as 9%\*. Totaline's UV Lights can clean the coil and virtually eliminate additional build up.



Double Lamp Part Number:  
P103-UVLTT2LP1020A01

Single Lamp Part Number:  
P103-UVLTT1LP1020A01

\* Estimated reduction based on hypothetical buildup on typical coil. Reduction may vary based on actual coil and system size and characteristics.

	SINGLE LAMP	DOUBLE LAMP
<b>115 Volt Models</b>	<b>P103-UVLTT1LP1020A01</b>	<b>P103-UVLTT2LP1020A01</b>
Lamp Length	19.5 Inch Length	19.5 Inch Length
Electrical	6 Foot Service Cord With Ground Pin Plug, 115V	
Lamp Replacement	P103-UVLTT1LP1020A01	P103-UVLTT2LP1020A01 (2 Required)
Shipping Weight	2 Lb. 4oz.	4 Lb. 2oz.
Unit Warranty	5-Year Limited	5-Year Limited
Lamp Warranty	90-Day Limited	90-Day Limited
<b>208/230 Volt Models</b>	<b>P103-UVLTT1LP3020A01</b>	<b>P103-UVLTT2LP3020A01</b>
Lamp Length	19.5 Inch Length	19.5 Inch Length
Electrical	6 Foot Service Cord With Ground Pin Plug, 208/230V	
Lamp Replacement	P103-UVLTT1LP3020A01	P103-UVLTT2LP3020A01 (2 Required)
Shipping Weight	2 Lb. 4oz.	4 Lb. 2oz.
Unit Warranty	5-Year Limited	5-Year Limited
Lamp Warranty	90-Day Limited	90-Day Limited

# Totaline® Heat and Energy Recovery Ventilators

**Totaline® Heat Recovery Ventilators (HRVs)** are recommended for colder areas of the country that have longer heating seasons as well as drier desert areas of the South. They are designed to bring a continuous supply of fresh air into the home while exhausting an equal amount of contaminated air. HRVs use a “sensible” heat recovery core.

**Totaline® Energy Recovery Ventilators (ERVs)** are designed for warmer, humid climates with longer cooling seasons. The heart of the ERV is the enthalpic core that transfers heat and moisture from the incoming air to the outgoing air. HRVs and ERVs can be installed as stand-alone systems that use independent ductwork or they can be connected to the existing duct of your forced air heating or cooling system.

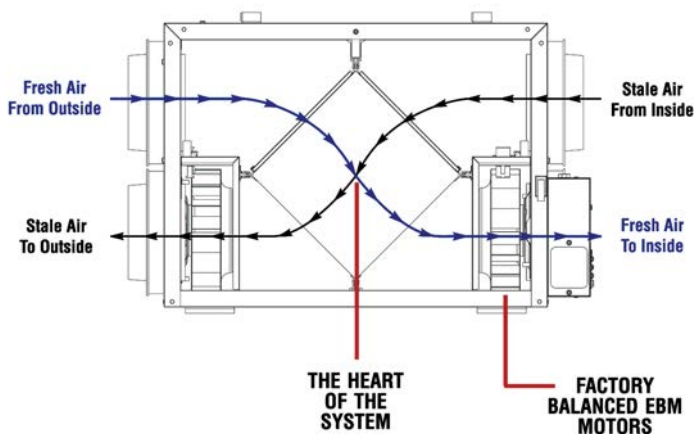


## Features:

- Compact size for easier installation
- Fully insulated cabinet
- Exterior mounted electrical box
- Washable electrostatic filters with aluminum frames
- Easy-slide core
- Internal fans mounted vertically for better air movement
- Superior EBM motors feature external rotor motorized impellers
- Precisely balanced to ensure vibration-free operation
- Superior Warranties:
  - 7 Year (limited) Motor Warranty
  - Lifetime (limited) Warranty on Core
  - 5 Year (limited) Warranty on other components

## Benefits:

- Brings a continuous supply of fresh, filtered outside air into the home.
- Exhausts environmental contaminants for improved indoor air quality.
- Saves energy by recovering heat from exhausted air in the winter.
- Cools incoming air in the summer
- Controls excess humidity



## SHR SERIES ELECTRICAL DATA

P707-SHR1504 — 149 CFM at 0.4 in. wg  
 P707-SHR2004 — 200 CFM at 0.4 in. wg

MODEL	VOLTS	AMP RATING	3-FT CORD w/3 PRONG PLUG
P707-SHR1504	120	1.3	Yes
P707-SHR2004	120	2.1	Yes

## SER SERIES ELECTRICAL DATA

P707-SER1504 — 130 CFM @ 0.4 in. wg  
 P707-SER2004 — 170 CFM @ 0.4 in. wg

MODEL	VOLTS	AMP RATING	3-FT CORD w/3 PRONG PLUG
P707-SER1504	120	1.5	Yes
P707-SER2004	120	1.9	Yes

## How Do They Work?

**Heat Recovery Ventilators (HRVs)** are designed to bring a continuous supply of fresh air into a home while exhausting an equal amount of contaminated air. HRVs use what is called a “sensible” heat recovery core. This special aluminum core transfers heat from the exhaust air stream to the incoming air stream. Fresh incoming air is tempered by the heat that is transferred from the outgoing air so you save on energy costs. HRVs are equipped with automatic defrost mechanisms so even if you live in the coldest climates you can use your HRV all year long.

**Energy Recovery Ventilators (ERVs)** work much like the HRV but it is designed with a different type core. The enthalpic core at the center of the unit transfers heat and moisture from the incoming air to the outgoing air. The air brought into the living area is cooled and the humidity is reduced for maximum comfort. The load on your air conditioner is less and you save on cooling costs.















**Universal HVAC/R  
Parts and Supplies**

Manufacturer reserves the right to discontinue or change at any time, specifications or designs without notice or without incurring obligations.  
Performance of the Air Cleaners will depend on house plan design, duct design and heating/cooling equipment.