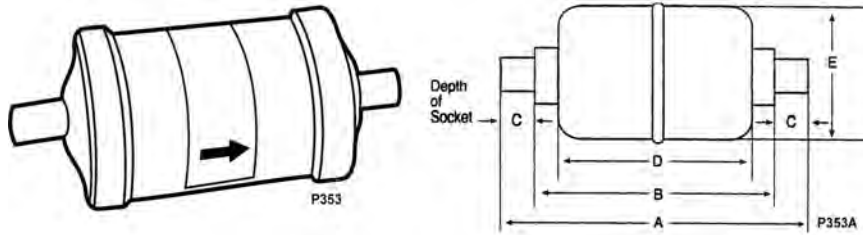


## TOTALINE® LIQUID LINE FILTER-DRIERS P502-8 SERIES

### PHYSICAL DATA



### FEATURES

- Compacted bead filter drier, with a Fine 20 Micron outlet pad for maximum filtration
- Universal Replacement CFC, HCFC, HFC refrigerants
- Filtration first for more effective use of surface area of desiccant
- Solid copper fittings for easy installation
- Desiccant blend - 75% molecular sieve and 25% activated alumina
- High moisture and acid capacity

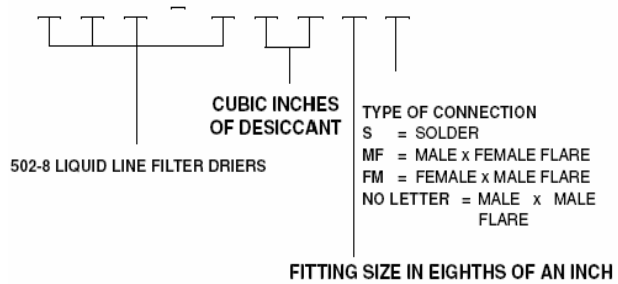
### SPECIFICATIONS:

Filtration: 20 microns

Maximum working pressure: Sizes 03-75 680 psig



### PART NUMBER SIGNIFICANCE



### TOTALINE LIQUID LINE FILTER-DRIER PHYSICAL DATA

RCD PART NO	DIMENSIONS					RCD PART NO	DIMENSIONS				
	A	B	C	D	E		A	B	C	D	E
P502-8032	4-3/8	—	—	2-9/16	1-5/8	P502-8165	7-1/2	—	—	4-3/4	2-5/8
P502-8032FM						P502-8165S	6-9/16	5-5/16	5/8		
P502-8032MF						P502-8167S	7-1/2	5-5/8	3/4		
P502-8032S	3-7/8	3-1/8	3/8			P502-8303	9-5/8	—	—		
P502-8033S	4-1/16	3-3/16	7/16	3	2-5/8	P502-8303S	9	8-1/8	7/16	7-1/2	3-1/16
P502-8052	4-13/14	—	—			P502-8304	9-7/8	—	—		
P502-8052S	4-7/16	3-11/16	3/8			P502-8304S	9-1/8	8-1/8	1/2		
P502-8053	5-1/8	—	—			P502-8305	10-5/16	—	—		
P502-8053S	4-1/2	3-5/8	7/16			P502-8305S	9-5/16	8-1/16	5/8		
P502-8053MF	4-1/2	3-5/8	7/16			P502-8306S	9-11/16	8-7/16	5/8		
P502-8082	5-5/8	—	—			P502-8307S	9-7/8	8-3/8	3/4		
P502-8082S	5-1/4	4-1/2	3/8			P502-8309S	10-1/4	8-7/16	15/16		
P502-8083	5-15/16	—	—			P502-8413	9-3/4	—	—		
P502-8083S	5-15/16	4-7/16	7/16			P502-8414	10	—	—		
P502-8084	6-3/16	—	—			P502-8414S	9-1/4	8-1/4	1/2		
P502-8084S	5-3/8	4-3/8	1/2			P502-8415	10-7/16	—	—		
P502-8162	6-9/16	—	—	P502-8415S	9-7/16	8-3/16	5/8				
P502-8162S	6-3/16	5-7/16	3/8	P502-8417S	10	8-1/2	3/4				
P502-8163	6-7/8	—	—	P502-8419S	10-5/16	8-1/2	3/4				
P502-8163S	6-1/4	5-7/16	7/16	P502-8757S	15-7/16	13-15/16	3/4				
P502-8164	7-1/16	—	—	P502-8759S	15-3/4	13-7/8	15/16				
P502-8164S	6-5/16	5-3/16	1/2					13-1/16	7-1/2		

## TOTALINE® LIQUID LINE FILTER-DRIERS P502-8 SERIES PHYSICAL DATA

RCD. PART NO.	CONNECTION SIZE & TYPE	FLOW CAPACITY* (Tons) @ 1 PSI ΔP				WATER CAPACITY† (Drops of Water)**															
						Refrigerant				R-134a				R-22				R-404A/R507			
		R-134a	R-22/	R-404A/ R507	R-410A	Liquid Line Temperature (F)															
						75		125		75		125		75		125					
P502-8032	1/4 SAE	2.0	2.2	1.4	2.2	40	37	40	33	38	37	21	19								
P502-8032FM	1/4 Fem/In SAE	2.0	2.2	1.4	2.1																
P502-032MF	1/4 Male/In SAE	2.0	2.2	1.4	2.1																
P502-8032S	1/4 ODF	2.7	2.9	2.0	2.9																
P502-8033S	3/8 ODF	3.0	3.3	2.2	3.3	116	106	114	97	109	106	64	58								
P502-8052	1/4 SAE	2.1	2.3	1.5	2.3																
P502-8052S	1/4 ODF	3.3	3.6	2.4	3.6																
P502-8053	3/8 SAE	3.5	3.8	2.5	3.8																
P502-8053S	3/8 ODF	4.4	4.8	3.2	4.9	237	218	235	200	224	217	159	118								
P502-8053MF	3/8 SAE	3.5	3.8	2.5	3.8																
P502-8082	1/4 SAE	2.3	2.5	1.7	2.5																
P502-8082S	1/4 ODF	3.1	3.4	2.3	3.4																
P502-8083	3/8 ODF	4.0	4.3	2.9	4.3	371	341	368	313	350	340	206	186								
P502-8083S	3/8 ODF	4.5	4.9	3.3	4.9																
P502-8084	1/2 SAE	6.7	7.3	4.9	7.3																
P502-8084S	1/2 ODF	7.1	7.7	5.2	7.7																
P502-8162	1/4 SAE	2.3	2.5	1.6	2.5	664	611	657	561	627	608	515	355								
P502-8162S	1/4 ODF	3.1	3.4	2.3	3.0																
P502-8163	3/8 SAE	3.9	4.2	2.9	4.2																
P502-8163S	3/8 ODF	4.4	4.8	3.2	4.8																
P502-8164	1/2 SAE	7.2	7.8	5.2	7.8	938	854	919	785	876	850	715	465								
P502-8164S	1/2 ODF	8.5	9.2	6.2	9.2																
P502-8165	5/8 SAE	9.7	10.5	7.0	10.5																
P502-8165S	5/8 ODF	10.1	10.9	7.3	10.9																
P502-8167S	7/8 ODF	15.5	16.8	11.2	16.8	2159	2019	2159	1880	2019	2019	1460	1111								
P502-8303	3/8 SAE	4.3	4.7	3.1	4.7																
P502-8303S	3/8 ODF	6.3	6.8	4.5	6.8																
P502-8304	1/2 SAE	8.1	8.8	5.9	8.8																
P502-8304S	1/2 ODF	10.0	10.8	7.2	10.8	938	854	919	785	876	850	715	465								
P502-8305	5/8 SAE	10.6	11.5	7.7	11.5																
P502-8305S	5/8 ODF	12.5	13.5	9.0	13.5																
P502-8306S	3/4 ODF	14.8	16.0	10.7	16.0																
P502-8307S	7/8 ODF	16.8	18.2	12.2	18.2	2159	2019	2159	1880	2019	2019	1460	1111								
P502-8309S	1-1/8 ODF	19.6	21.2	14.2	21.2																
P502-8413	3/8 SAE	4.3	4.7	3.1	4.7																
P502-8414	1/2 SAE	10.4	11.3	7.5	11.3																
P502-8414S	1/2 ODF	10.8	11.7	7.8	11.7	938	854	919	785	876	850	715	465								
P502-8415	5/8 SAE	12.0	13.0	8.7	13.0																
P502-8415S	5/8 ODF	17.0	18.4	12.3	18.4																
P502-8417S	7/8 ODF	20.3	22.0	14.7	22.0																
P502-8419S	1-1/8 ODF	27.7	30.0	20.1	30.3	2159	2019	2159	1880	2019	2019	1460	1111								
P502-8757S	7/8 ODF	22.2	24.1	16.1	24.1																
P502-8759S	1-1/8 ODF	32.7	35.4	23.7	35.4																

\*All ratings in accordance with ARI Standard 710-86. 86° F Liquid Refrigerant Temperature, 5° F Saturated Vapor Temperature, 3.1 lbs/min/ton for R-134a, 2.9 lbs/min/ton for R-22, 4.0 lbs/min/ton for R-404A/R0507.

†Water Capacities are based on: Equilibrium Point Dryness of 50 Parts Per Million for R-134a,

Equilibrium Point Dryness of 60 Parts Per Million for R-22,

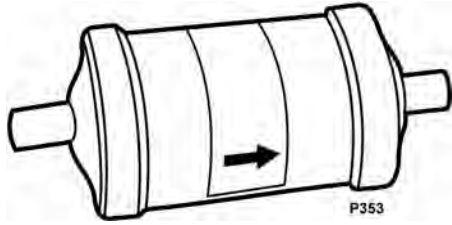
Equilibrium Point Dryness of 50 Parts Per Million for R-404A/R-507.

\*\*20 drops of water = 1 gram = 1cc.

### TOTALINE® LIQUID LINE FILTER DRIERS

UNIT SIZE	LIQUID REFRIGERANT CAPACITY BY WEIGHT-OUNCES							
	R-134a		R-22		R-404A/R-507		R-410A	
	LIQUID TEMPERATURE		LIQUID TEMPERATURE		LIQUID TEMPERATURE		LIQUID TEMPERATURE	
	75° F	125° F	75° F	125° F	75° F	125° F	75° F	125° F
3	2.6	3	2.6	2.3	2.3	1.9	2.3	1.9
5	6.0	5.4	5.9	5.3	5.2	4	5.3	4.4
8	7.6	6.9	7.5	6.8	6.6	6	6.7	5.7
16	9.4	8.5	9.3	8.4	8.2	6.9	8.3	7.0
30	26.4	23.9	26.1	23.5	22.9	4	23.3	19.6
41	36.8	33.2	36.4	32.5	31.9	26.8	32.5	27.2
75	66.5	60.3	65.8	59.2	57.7	48.9	58.7	49.5

## TOTALINE® LIQUID LINE FILTER DRIERS P502-C SERIES



### NOMENCLATURE - Example: P502-C Liquid Line Filter Driers

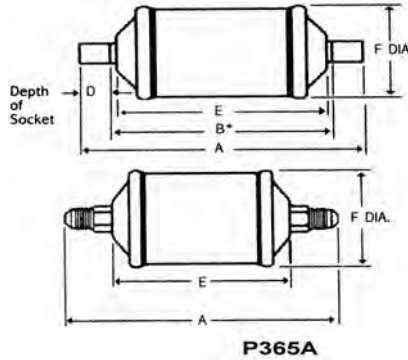
P502-C	08	3	S
Series	Unit Size (in cu. in.)	Connection Size (in 1/8")	S= ODF Connections (omit for SAE)

### FEATURES

- Economy solid core liquid line filter drier ideal for use w/CFC & HCFC refrigerants
- Solid copper fittings
- High moisture and acid removal
- Corrosion resistant paint
- Shock resistant steel shell construction

### SPECIFICATIONS:

Desiccant Blend: Activated Alumina with molecular sieve  
 Max. working press: Sizes 03-75, 680 psig  
 UL/CUL file number: SA3124  
 Filtration: 40 microns



CARRIER PART NO	CONNECTION SIZE & TYPE	DIMENSIONS					SHIP WT. (lbs)
		A	B	D	E	F (1) note	
P502-C032	1/4 SAE	4-3/8	—	—	2-9/16	1-5/8	1/2
P502-C032S	1/4 ODF	3-7/8	3-1/8	3/8			
P502-C033	3/8 SAE	4-11/16	—	—			
P502-C033S	3/8 ODF	4-1/16	3-3/16	7/16	3	2-5/8	3/4
P502-C052	1/4 SAE	4-13/16	—	—			
P502-C052S	1/4 ODF	4-7/16	3-11/16	3/8			
P502-C053	3/8 SAE	5-1/8	—	—	3-13/16	2-5/8	1-1/4
P502-C053S	3/8 ODF	4-1/2	3-5/8	7/16			
P502-C082	1/4 SAE	5-5/8	—	—			
P502-C082S	1/4 ODF	5-1/4	4-1/2	3/8	4-5/8	2-5/8	2
P502-C083	3/8 SAE	5-15/16	—	—			
P502-C083S	3/8 ODF	5-5/16	4-7/16	7/16			
P502-C084	1/2 SAE	6-3/16	—	—	7-1/2	3-1/16	3-3/4
P502-C084S	1/2 ODF	5-3/8	4-3/8	1/2			
P502-C162	1/4 SAE	6-7/16	—	—			
P502-C162S	1/4 ODF	6-7/16	5-1/4	7/16	4-5/8	2-5/8	2
P502-C163	3/8 SAE	6-3/4	—	—			
P502-C163S	3/8 ODF	6-1/8	5-1/4	7/16			
P502-C164	1/2 SAE	6-15/16	—	—	7-1/2	3-1/16	3-3/4
P502-C164S	1/2 ODF	6-3/16	5-3/16	1/2			
P502-C165	5/8 SAE	7-7/16	—	—			
P502-C165S	5/8 ODF	6-3/8	5-1/8	5/8	7-1/2	3-1/16	3-3/4
P502-C167S	7/8 ODF	6-15/16	5-7/16	3/4			
P502-C303	3/8 SAE	9-5/8	—	—			
P502-C303S	3/8 ODF	9	8-1/8	7/16	7-1/2	3-1/16	3-3/4
P502-C304	1/2 SAE	9-7/8	—	—			
P502-C304S	1/2 ODF	9-1/8	8-1/8	1/2			
P502-C305	5/8 SAE	10-5/16	—	—	7-5/8	3-11/16	4-3/4
P502-C305S	5/8 ODF	9-5/16	8-1/16	5/8			
P502-C306S	3/4 ODF	9-5/16	8-1/16	5/8			
P502-C307S	7/8 ODF	9-7/8	8-3/8	3/4	7-5/8	3-11/16	4-3/4
P502-C309S	1-1/8 ODF	10-3/16	8-3/8	15/16			
P502-C413	3/8 SAE	9-3/4	—	—			
P502-C414	1/2 SAE	10	—	—	7-5/8	3-11/16	4-3/4
P502-C414S	1/2 ODF	9-1/4	8-1/4	1/2			
P502-C415	5/8 SAE	10-7/16	—	—			
P502-C415S	5/8 ODF	9-7/16	8-3/16	5/8	7-5/8	3-11/16	4-3/4
P502-C417S	7/8 ODF	10	8-1/2	3/4			
P502-C419S	1-1/8 ODF	10-5/16	8-1/2	15/16			
P502-C757S	7/8 ODF	15-7/16	13-15/16	3/4	13-1/16	3-11/16	7-1/2
P502-C759S	1-1/8 ODF	15-3/4	13-7/8	15/16	13-1/16	3-11/16	7-1/2

NOTE: Does not include weld bead.