

PURCHASER	P.O. #	DATE
PROJECT	LOCATION	
ENGINEER	ARCHITECT	
SUBMITTED BY	FOR APPROVAL	FOR REFERENCE

ITEM	PLAN DESIGNATION	QUANTITY	COOLING BTU/H	VOLTAGE	FRIEDRICH MODEL

## Comfort & Convenience

- Convenient control from your smartphone or computer via FriedrichLink® (required accessory sold separately)
- 24-hour timer
- Up to 4 cooling and 4 fan-only speeds on select models†
- Automatic fan speed adjustment
- Auto-changeover from cool to heat; heat to cool to maintain set temperature (Kühl+ models except EQ08)
- 8-way air flow control
- Temperature readout can display set temperature and room temperature
- LCD panel auto dims if not in use
- LCD settings lockout option (ON/OFF)
- Premium remote control allows user to activate schedule, adjust temperature, adjust fan speed or select auto-fan; can also switch from cool to heat and heat to cool (Kühl + models)

## Sound Reduction Technology

- Steel inner wall and extra dense insulation materials block outdoor noise
- Vibration isolating design and components diminish traditional operating sound levels
- Precision engineering maximizes air flow while delivering ultra quiet operation

## Maintenance & Installation

- Check filter reminder and error code storage
- Same sleeve dimensions for 30+ years for easy replacement
- Slideout chassis for more permanent installation and easier access for maintenance
- Installs in a window or in-wall
- Includes heavy-duty window installation hardware (optional accessory on Kühl+ models)
- Rugged hardboard side panels or (heavy duty side curtains on SQ and EQ models) for a more permanent installation
- Power cord can run left or right
- Defrost control protects coil against freeze up
- Firm grip handles for easier chassis installation and removal

## Energy Management & Compliance

- Convenient control from your smartphone or computer via FriedrichLink™ (optional accessory sold separately)
- 2 ready-to-go 7-day energy management programs
- Autofan mode saves money by conserving energy
- ENERGY STAR® qualified models, including heat pumps
- Environmentally-friendly R-410A refrigerant used in all models
- Recyclable packaging
- RoHS compliant

## Safety & Security

- EntryGard™ anti-intrusion protection - secures chassis to the sleeve with a steel retaining wire to deter 'kick-in' intrusion
- Power cord current leakage protected
- Aluminum outside grille
- Insect barrier\*

## Health & IAQ

- Superior fresh air intake and stale air exhaust vent\*
- Washable, antimicrobial air filter
- Premium carbon filter provides superior air filtration with ratings as high as MERV 6, while also adsorbing odors, and reducing ozone and VOCs when used in conjunction with standard filter
- Hinged door for easy filter access



\* Feature not available on SQ and EQ models.

\*\*Nut driver not required for Kühl SQ and EQ models.

# SPECIFICATIONS

★ ENERGY STAR® models

Model	Cooling Btu	Heating Btu	Volts	Cooling Amps	Cooling Watts	Heating Amps	Heating Watts	EER	CEER	Estimated Yearly Energy Cost	COP	Moisture Removal-Pts/HR	CFM	Net /Ship Wt. lbs.	Sleeve
<b>Kühl® (Cool Only)</b>															
★ SQ06N10C	5800	—	115	4.1	472	—	—	12.3	12.1	\$43	—	1.5	190	72/85	Q
★ SQ08N10D	8000	—	115	6.1	656	—	—	12.2	12.0	\$59	—	1.9	200	72/85	
★ SS08N10C	8000	—	115	5.8	656	—	—	12.2	12.0	\$59	—	1.9	255	99/121	S
★ SS10N10C	10000	—	115	7.2	820	—	—	12.2	12.0	\$74	—	2.5	300	106/128	
★ SS12N10C	11900	—	115	8.7	975	—	—	12.2	12.0	\$88	—	3.9	300	112/112	
★ SS12N30C	12000/11800	—	230/208	4.5/4.9	984/967	—	—	12.2/12.2	12.0/12.0	\$89	—	3.6	300	112/134	
★ SS14N10C	13600	—	115	10.4	1214	—	—	11.2	10.9	\$109	—	4.3	275	116/138	
★ SM14N10	13700	—	115	9.9	1123	—	—	12.2	12.0	\$101	—	3.0	360	141/154	M
★ SM14N30	13800/13300	—	230/208	5.0/5.3	1131/1099	—	—	12.2/12.1	12.0/12.0	\$102	—	3.6	360		
★ SM18N30B	20000/20000	—	230/208	9.3/10.2	2092/2041	—	—	9.8/9.8	9.8/9.8	\$184	—	6.0	425	141/154	
★ SM21N30D	20500/20000	—	230/208	9.3/10.2	2092/2041	—	—	9.8/9.8	9.8/9.8	\$188	—	6.0	425	132/153	
★ SL24N30C	24000/24000	—	230/208	10.2/11.1	2308/2308	—	—	10.4/10.4	10.3/10.3	\$208	—	7.0	640	191/212	
★ SL28N30C	28000/28000	—	230/208	13.1/14.1	2800/2800	—	—	10.0/10.0	9.9/9.9	\$252	—	8.5	640	193/214	L
★ SL36N30B	36000/35500	—	230/208	17.5/19.2	4000/3944	—	—	9.0/9.0	9.0/9.0	\$360	—	12.0	725	212/248	
<b>Kühl® + (Heat Pump)</b>															
★ YS10N10C*	10000	8800	115	7.9	917	9.0	978	10.9	10.8	\$83	2.6	2.0	300	109/131	S
★ YS12N33C	12000/12000	11300/11000	230/208	4.9/5.2	1101/1101	5.6/5.9	1257/1213	10.9/10.9	10.8/10.8	\$99	2.6/2.7	3.0	375	115/136	
★ YM18N34C	17500/17200	15200/15200	230/208	7.1/7.6	1606/1578	19.5/17.0	1665/1665	10.9/10.9	10.8/10.8	\$144	2.7/2.7	5.4	370	141/154	M
★ YL24N35C	24000/24000	22000/22000	230/208	10.1/11.0	2330/2330	10.7/11.4	2391/2391	10.3/10.3	10.2/10.2	\$210	2.6/2.6	7.0	600	197/211	L
<b>Kühl® + (Electric Heat)</b>															
EQ08N11D	8000	4000	115	6.1	656	11.2	1290	12.2	12.0	\$61	—	1.9	200	72/85	Q
ES12N33B	12000/12000	10700/8900	230/208	4.9/5.2	1062/1062	16.0/14.7	3500/2900	11.3/11.3	11.2/11.2	\$96	—	3.4	325	113/128	S
ES14N33	13100/13000	10700/8900	230/208	5.2/5.6	1180/1171	16.0/14.7	3500/2900	11.1/10.9	10.9/10.9	\$106	—	4.0	325	116/138	
EM18N34A	20000/20000	13000/10600	230/208	9.3/10.2	2041/2041	19.5/17.0	4200/3500	9.8/9.8	9.8/9.8	\$184	—	6.0	425	141/154	M
EM21N34	20500/20000	13000/10600	230/208	9.3/10.2	2092/2041	19.5/17.0	4200/3500	9.8/9.8	9.8/9.8	\$188	—	6.0	425		
EL24N35	23500/23200	17300/14300	230/208	11.2/12.0	2500/2468	24.0/22.4	5500/4650	9.4/9.4	9.4/9.4	\$225	—	7.0	750	197/211	L
EL36N35B	36000/35500	17300/14300	230/208	17.5/19.2	4000/3944	24.0/22.4	5500/4650	9.0/9.0	9.0/9.0	\$360	—	12.0	725	213/246	

\* YS10N10C heat pump operates on 115 volt and IS NOT equipped with supplemental heat . Will not provide heat at temperatures below 40°F. Friedrich room air conditioners are designed to operate in outdoor temperatures from 60°F to 115°F.

Kühl+ Heat Pump heating information indicates heat pump performance. Kühl+ Electric Heat heating information indicates electric heat strip performance. For Kühl+ Heat Pump electric heating performance refer to corresponding Kühl+ Electric Heat model.

As an ENERGY STAR® partner, Friedrich Air Conditioning Co. has determined that the selected ENERGY STAR® models meet the ENERGY STAR® guidelines for energy efficiency. The consumer, through the AHAM Room Air Conditioner Certification Program, can be certain that the AHAM Certification Seal accurately states the unit's cooling and heating capacity rating, the amperes and the energy efficiency ratio. EER is the unit's Energy Efficiency Ratio; CEER is the unit's Combined Energy Efficiency Ratio.

Your energy costs will depend on your utility rates and use. The estimated energy cost is based on an electricity cost of \$.12 per kWh. For more information, visit [www.ftc.gov/energy](http://www.ftc.gov/energy). Due to continuing research in new energy-saving technology, specifications are subject to change without notice.



# INSTALLATION INFORMATION





Sleeve	Height Inches	Width Inches	Depth with Front Inches	Shell Depth to Louvers Inches	Minimum Extension Into Room* Inches	Minimum Extension Outside * Inches	Window Width INCHES		In-wall Installation Finished Hole Inches			Carton Dimensions Inches		
			A	B			Minimum**	Maximum	Height	Width	Max. Depth C	Height	Width	Depth
<b>Q</b>	14 1/4"	19 3/4"	21 3/8"	8 1/2"	5 1/2"	10 3/4"	22"	42"	14 1/2"	20"	8 1/2"	18 3/4"	22"	25 1/2"
<b>S</b>	15 15/16"	25 15/16"	29"	8 3/4"	5 3/4"	16 15/16"	27 3/8"	42"	16 3/16"	26 3/16"	7 3/8"	19"	29"	34 1/2"
<b>M</b>	17 15/16"	25 15/16"	29"	8 3/4"	5 3/4"	16 15/16"	27 3/8"	42"	18 3/16"	26 3/16"	7 3/8"	21"	29"	34 1/2"
<b>L</b>	20 3/16"	28"	35 1/2"	16 1/2"	5 3/8"	18 15/16"	29 7/8"	42"	20 3/8"	28 1/4"	15 1/8"	24 1/2"	31 5/8"	38 7/8"

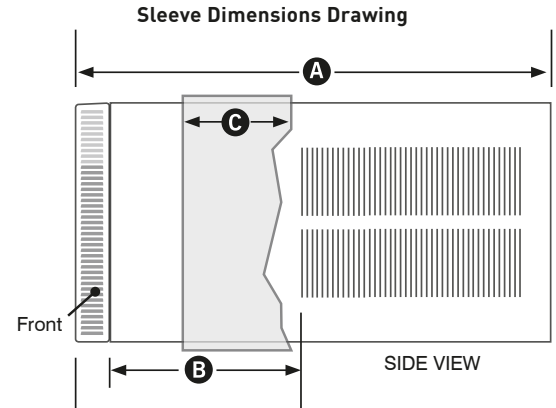
\* Minimum extensions when mounted in a window.

\*\* Minimum widths achieved using one side curtain assembly as opposed to both in a standard installation.

NOTE: S,M and L sleeves may be installed in window with no side kits if properly installed.

## CIRCUIT RATING/ BREAKER/POWER CORD

Model	Circuit Rating Breaker or T-D Fuse	Plug Face (NEMA#)	Power Cord Length (ft.)	Wall Outlet Appearance
All SQ MODELS. EQ08N11D. SS08N10C, SS10N10C, SS12N10C and SS14N10C. YS10N10C. SM14N10.	125V - 15A	5 - 15P	6	
SS12N30C. SM14N30 and SM18N30B. SM21N30D.	250V - 15A	6 - 15P	6	
SL24N30C and SL28N30C. ES12N33B and ES14N33. YS12N33C.	250V - 20A	6 - 20P	6	
SL36N30B. EM18N34A and EM21N34. EL24N35 and EL36N35B. YM18N34C and YL24N35C.	250V - 30A	6 - 30P	6	



## ROOM AIR CONDITIONER MODEL IDENTIFICATION GUIDE

### SL28N30A

