

# Owner's MANUAL

## VPT SERIES MANUAL TROLLEY

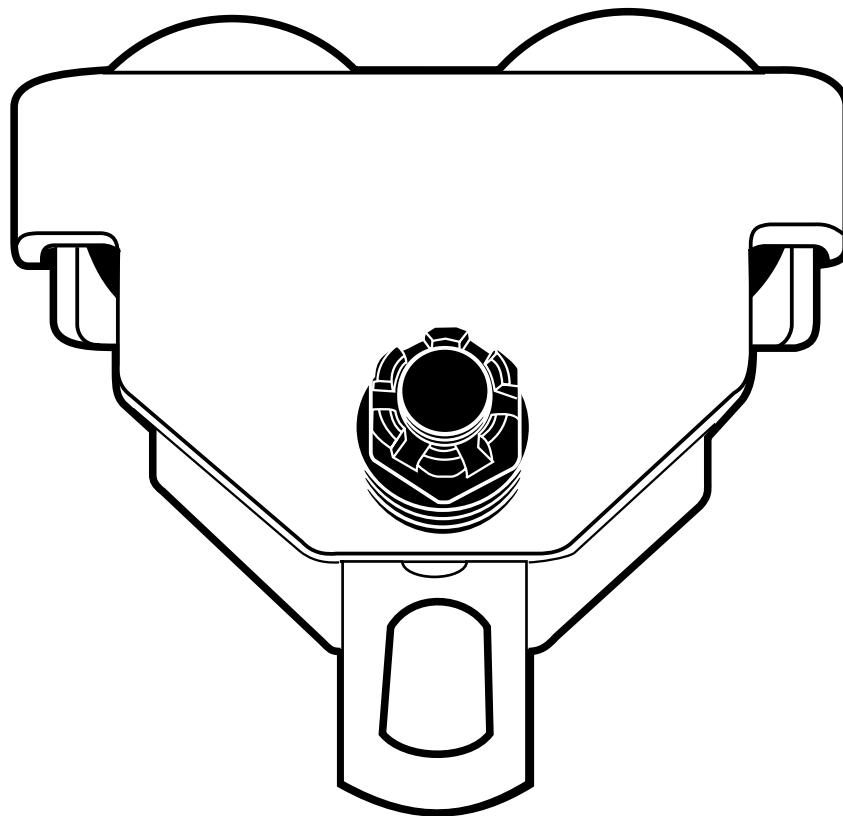
Prod. No. 120111 • Mod. No. VPT-05

Prod. No. 120112 • Mod. No. VPT-1

Prod. No. 120114 • Mod. No. VPT-2

Prod. No. 120115 • Mod. No. VPT-3

Prod. No. 120116 • Mod. No. VPT-5



## TABLE OF CONTENTS

---

- Warranty Policy
- Information for your Safety
- Safety Precautions
- Installation Instructions
- Inspection and Maintenance
- Specifications

## ONE YEAR LIMITED WARRANTY

---

JET beam trolleys are guaranteed to be free of defects in material and workmanship. If one of these products fails during the first year of operation due to defective materials or workmanship it will be repaired or replaced at our discretion. Normal wear and tear on moving parts is excluded from this guarantee. This guarantee does not apply to any product showing signs of misuse, overloading, alteration or improper maintenance.

## WARRANTY PROCEDURE

---

After receiving authorization from JET, any product for which there is a warranty claim must be returned prepaid to an authorized JET warranty depot, along with proof of purchase.

Information on JET Material Handling products, warranty depots or distributors can be found on our website at [surewerx.com](http://surewerx.com)

## INFORMATION FOR YOUR SAFETY

---

It is the responsibility of the owner/user to install, inspect, test, maintain, and operate these beam trolleys in accordance with ASME B30.11, Monorails and Underhung Cranes.

These general instructions deal with the normal installation, operation and maintenance situations encountered with the beam trolleys described herein. The Warnings, Cautions, and Instructions discussed in this manual cannot cover all possible conditions and situations that may occur. It must be understood by the operator that common sense and caution are factors which cannot be built into this product, but must be supplied by the operator. Persons involved with installing these trolleys and/or maintaining the trolleys should be well versed in this manual. Adhere to all instructions within this manual to help prevent damage and/or personal injury.

This beam trolley should not be installed, operated, or maintained by any person who has not read all the contents of these instructions and ASME B30.11, Monorails and Underhung Cranes. Failure to read and comply with these instructions or any kind of the warnings or limitations noted herein can result in serious bodily injury or death, and/or property damage.

Only trained and qualified personnel shall operate and maintain this equipment.

Equipment described herein is not designed for and should not be used for lifting, supporting or transporting people.

Modifications to upgrade, rerate, or otherwise alter these trolleys shall be authorized only by the original equipment manufacturer or a qualified professional engineer.

**Meets ASME B30.11 specifications**

**Tested to 125% of the rated capacity (certificate included)**

## SAFETY PRECAUTIONS

---

- Read these instructions and ASME B30.11 Safety Standards for Overhead Hoists before installing, operating, or maintaining this equipment.
- Always check the beam trolley for deformed parts before putting unit into use.
- Always be well aware of the trolley's load rating before using.
- Select an appropriate I-Beam, in good condition, which is capable of supporting the additional load.
- Beam must be properly installed and rated for anticipated loads.
- Do not install trolley on beams of unknown capacity.
- JET trolleys are designed to be used with hoists of the same rated capacity. Never use a hoist with a capacity greater than the capacity of the trolley.
- Never subject the trolley to a side pull or load. Load must be centered directly under the hoist/trolley assembly.
- Make sure load is stable and secure before moving.
- Never lift a load more than is necessary to safely move it.
- Always follow installation instructions.
- Never leave a load suspended when the hoist is unattended unless specific precautions have been instituted and are in place.
- Never use trolley as a ground for welding.
- Never lift people or lift loads over people.

## INSTALLATION INSTRUCTIONS

---

1. Measure the actual width of the beam on which the trolley is to be placed.
2. Assemble the required number of spacer washers equally to the inside of the trolley side plates so that the dimension between the trolley wheel flanges is 1/4" greater than the beam width.
3. To extend trolley width, remove washer spacers from center bolt and place between the hanger bracket and the spacer. Note: Washer spacers must be moved in sets of two, one on either side of the hanger bracket, as the hanger bracket must always remain centered between the trolley side plates.
4. Once the trolley is spaced properly, install the remaining washer spacers on the center bolt (same number on both sides) on the outside of the side plates. Install nuts firmly against the washers then secure with lockout nuts.

## INSPECTION AND MAINTENANCE

---

- The robust and simple design of these clamps will provide a long service life with minimal maintenance or repair required.
- Avoid damage to the screw – keep dirt and grit away from the threading while in use.
- Periodically open the clamp jaws all the way, and clean any contaminants from the screw threads. Apply a light coating of grease to prevent rust and provide lubrication.
- Protect the speed handle function from damage by keeping the lock nut fixed on the handle adaptor in either straight or 90 degree position.

## SPECIFICATIONS

Product No.	Model No.	Capacity	Flange width (min – max)
120111	VPT-05	1/2 ton	2-1/2" to 5-1/2"
120112	VPT-1	1 ton	2-1/2" to 5-1/2"
120114	VPT-2	2 ton	3" to 6-1/2"
120115	VPT-3	3 ton	3" to 8"
120116	VPT-5	5 ton	3-15/32" to 8"

Product No.	A	B	C	H
120111	9.06"	8.35"	7.82"	4.45"
120112	10"	10.04"	9.11"	5.04"
120114	11.57"	11.90"	10.95"	5.98"
120115	13.54"	13.54"	13.31"	7.32"
120116	14.17"	14.88"	15.47"	8.62"

