

Aprilaire®

Air Cleaners

Product Guide



One Inch Filters Lead to Equipment Problems

One inch filters lead to a host of equipment problems including frozen coils, low air flow, inefficient cooling and even flood-back of refrigerant into the compressor. HVAC contractors know the importance of proper filtration to prevent these age-old problems. *Homeowners don't.*

One inch filters have been the default standard on many installations for years. But when you install a new air handler with a one inch filter you are gambling with system performance and your reputation.

As you know, consumers rarely change filters as required, so the filters gradually load with particulates, limiting air flow. As the air flow restricts, equipment problems follow.

To make matters worse, many consumers choose "high-density" one inch filters as replacements from big box retail stores. These filters have high initial static pressure and get worse as they load.



Dirty and frozen indoor AC coil resulting from the use of a standard one inch filter and improper replacement schedule.

Don't trust your reputation to a homeowner's neglected maintenance. Standardize on high-efficiency air cleaners with low pressure and long life.

Avoid System Breakdowns



Most homeowners know there is a filter; however, nearly 50 percent don't know how often to change it, or they forget. Most system breakdowns are from a failure to change the air filter which causes the inside coil to freeze up or the blower to fail.

— Mike Agugliaro, Co-Owner, Gold Medal Service, New Jersey
ACHRNEWS March 2, 2015

Choose Media Designed for HVAC Performance

One inch filters do not have enough filtering material to properly protect equipment over time. A filter with more surface area can hold more particulate while still providing proper air flow over a longer period.

It's time to adhere to the new, higher standard

Many advancements have been made in the last 50 years to improve energy efficiency and comfort. Homeowners often spend tens of thousands of dollars on new windows, siding, insulation, and of course, HVAC.

A high-efficiency media upgrade is an inexpensive investment that ultimately extends the life of the HVAC system, improves homeowner health and comfort and reduces energy consumption.

APRILAIRE MEDIA LASTS UP TO 12 MONTHS

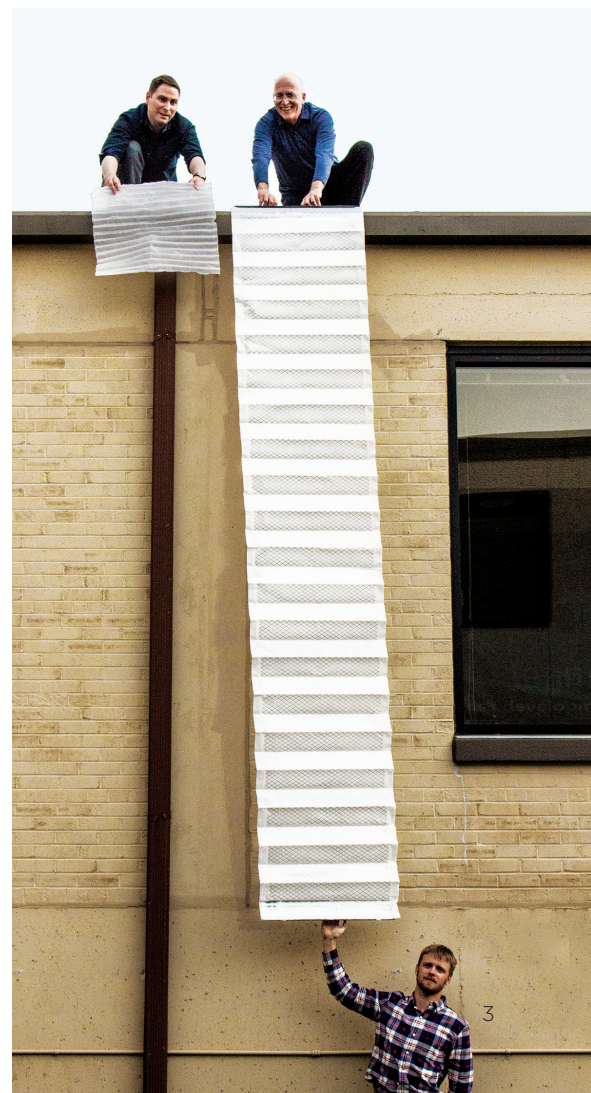


27 Sq. Ft.
MORE MEDIA to filter out harmful particles

TRADITIONAL 1" FILTER LASTS 1-3 MONTHS



3.4 Sq. Ft.



Convert from One Inch Filters to High-Efficiency Media

Benefits of high-efficiency media

- Lower pressure drop compared to dirty one inch filters
- Protection of expensive HVAC equipment
- Reduced callbacks and more satisfied customers
- Continued revenue from the sale and replacement of high-efficiency media
- The sale of a complete IAQ system, not just HVAC

Contractors who explain, quote and provide high-efficiency media on every installation are closing more air cleaner sales and building filter annuities. The chart on the right shows the close rates of successful contractors who sell high-efficiency media.

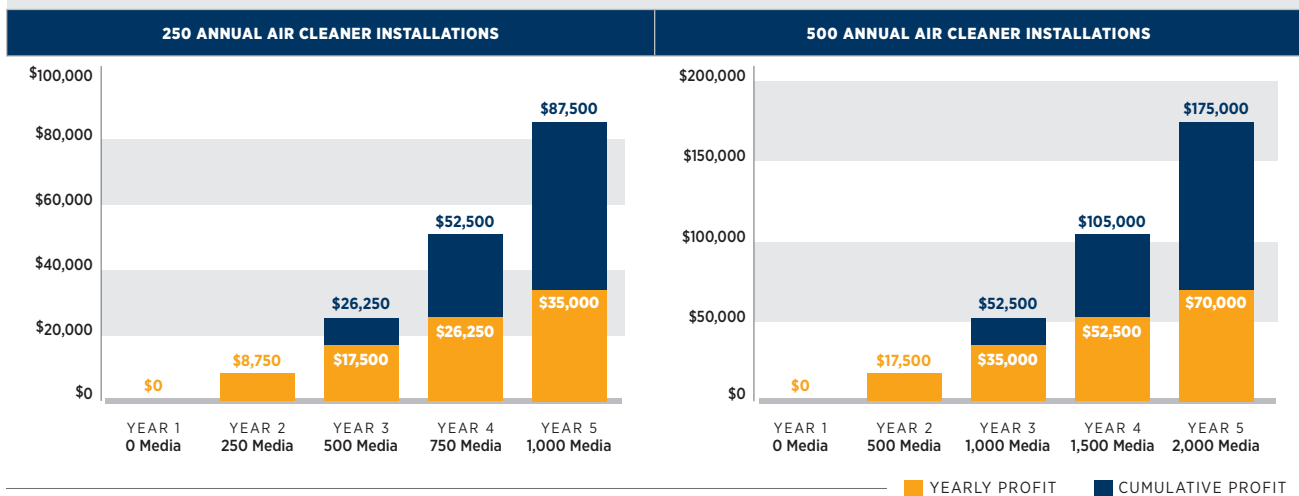
Profit estimates

The money is in the media. After installing a high-efficiency air cleaner, an HVAC contractor can create an annual compounding revenue stream on every job with the sale of patent-protected Aprilaire replacement media. Aprilaire recommends annual media changes and our 80%+ media retention rate proves that a majority of homeowners follow through with that recommendation.

SURVEYED CONTRACTORS' SELL AND CLOSE RATES

| METHOD | CLOSE RATES | PROCEDURE |
|----------------------------------------------------------------------------------|---------------|----------------------------------------------------------------------------------------------------------------------------------------------------------------------------------------------------------------|
| Quote Aprilaire high-efficiency media air cleaners on every job. | 30% | <ul style="list-style-type: none"> • Include price of a whole-home air cleaner on every quote. • Sell more IAQ add-ons. |
| Quote every time and train comfort advisors to sell high-efficiency in the home. | 50-70% | <ul style="list-style-type: none"> • Include price of whole-home air cleaner and incent sales. • Increase revenue with annual media replacement, improved customer satisfaction. |
| Remove one inch from standard costs and replace with Aprilaire on every job. | 100% | <ul style="list-style-type: none"> • Educate homeowner on benefits of installed high-efficiency; including system performance, health and comfort. • Grow future revenue on every job. |

APRILAIRE MEDIA PROFITS ON AN ANNUAL AND 5-YEAR CUMULATIVE BASIS



Assuming one filter per year with a profit of \$35 per media

Aprilaire High-Efficiency Media, The New Standard

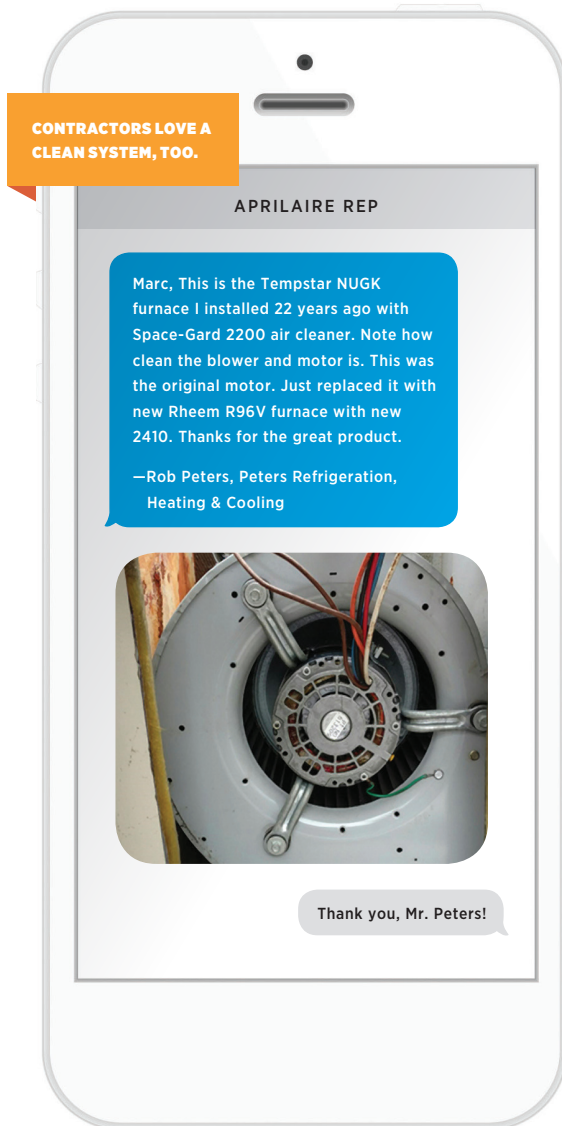
Aprilaire provides everything you need to sell and install a high-efficiency air cleaner on every installation.

- Patented Self-Seal™ Media guarantees MERV performance
 - Exclusive design eliminates bypass
 - Protect your business; genuine replacement media not sold in big box stores
- Models for all applications and sizes
- 5-year warranty on cabinet
- Superior particulate removal, low static pressure and equipment protection compared to one inch filters
- Options for existing air cleaners
 - Upgrade kits for older Aprilaire models as well as Space-Gard® air cleaners
 - Media and adjustable frames for non-Aprilaire air cleaners
- Best sales support and training in the industry
- Promotions and in-home sales tools designed with dealer input

Adopt the new standard on every system you install

- Protect your customers' investments and your reputation
- Build revenue with annual replacement business
- Keep your customers out of the big box stores
- Build customer satisfaction by offering the right air cleaner for their needs
- Differentiate your business as IAQ experts
- Eliminate nuisance calls from dirty one inch filters

Aprilaire air cleaners protect an expensive HVAC system's indoor A-coil to ensure long-term efficiency.



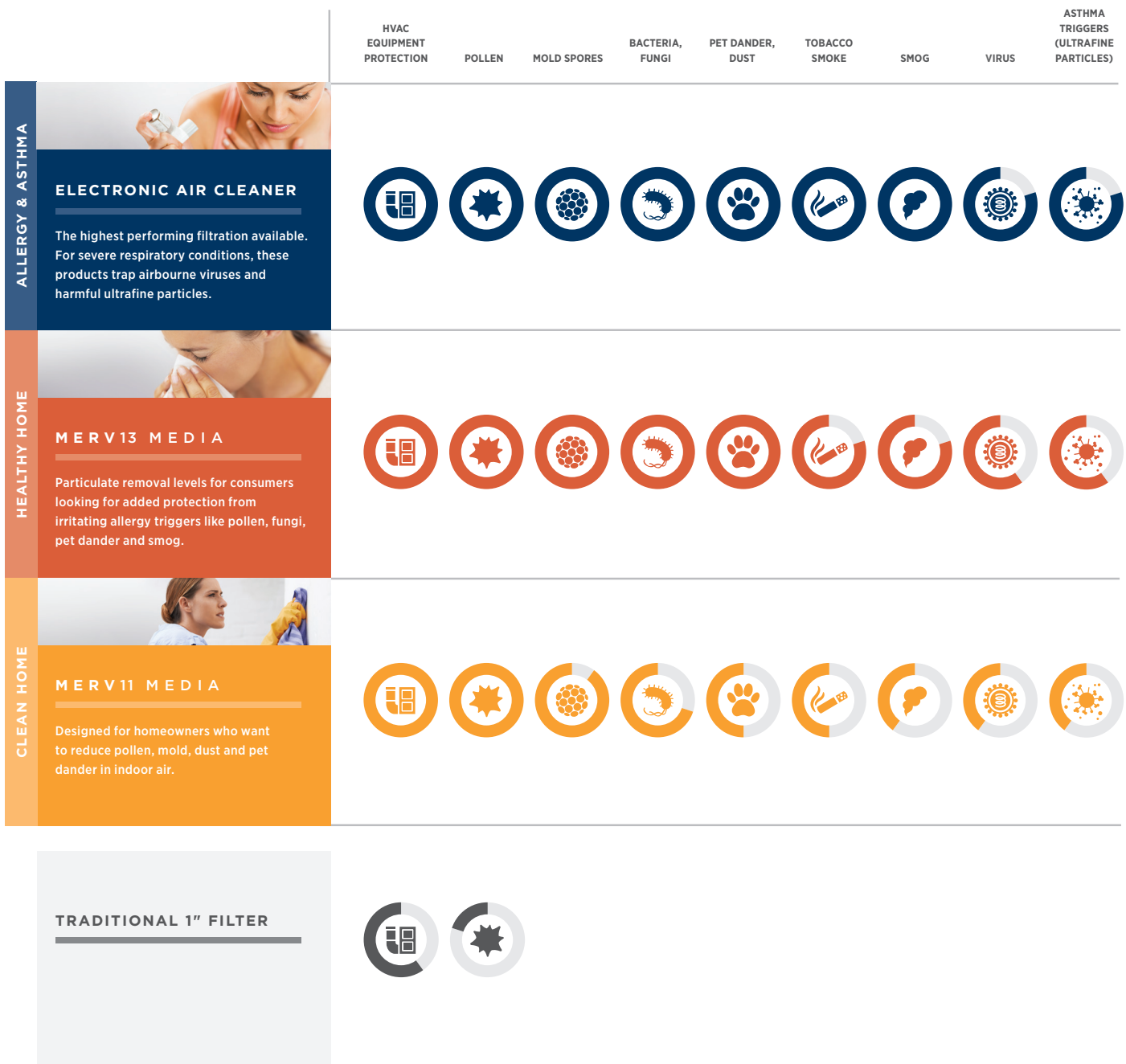
Indoor A-coil in a 10-year-old HVAC system that used a **one inch filter**

Indoor A-coil in a 10-year-old HVAC system that used an **Aprilaire air cleaner**






The Right Media for Every Homeowner's Needs

Aprilaire offers high-efficiency air cleaners for every homeowner. Whether a homeowner would like to see less dust on the coffee table or needs relief from the symptoms of serious respiratory illness, Aprilaire has the right filtration level for their needs.

Aprilaire media efficiency comparisons



Air Cleaners for Every Customer

| Series/Model | Customer Profile |
|-----------------------------------------------------------------------------------------------------------------------------------------------------------------------------------------------------------------|-------------------------------------------------------------------------------------------------------------------------------------------------------------------------------------------------------------------------------------------------------------------------------------------------------------------------------------------------------------------------------------------------------------------------------------------------------|
|  <p data-bbox="548 428 634 520">5000 EAC</p> | <p data-bbox="716 417 1435 548">Model 5000 electronically charges particles and permanently traps them better than any other air cleaner using 72 square feet of media. The Model 5000 customer is looking for optimal relief from severe respiratory conditions.</p> |
|  <p data-bbox="540 680 646 814">3000/ 2000 MERV 13</p> | <p data-bbox="716 638 1490 768">The Model 3000 customer needs control and reassurance that the air cleaner is doing its job. Event-Based™ Air Cleaning gives you maximum control. This air cleaner’s media performs at MERV 13, making it one of the highest performing on the market.</p> <p data-bbox="716 812 1468 871">The Model 3000/2000 customer is looking for cleaner, healthier air and relief from asthma and allergy triggers.</p> |
|  <p data-bbox="532 947 654 1098">1000 MERV 11 or 13 with upgrade media</p> | <p data-bbox="716 982 1442 1077">Model 1000 is a great inclusion option as part of an HVAC change out or in the residential new construction market. MERV 11 media is for homeowners who want to reduce pollen, mold, dust and pet dander.</p> |
|  <p data-bbox="532 1167 654 1318">1510 MERV 11 or 13 with upgrade media</p> | <p data-bbox="716 1224 1484 1283">Model 1510 is designed for low static pressure on high tonnage residential HVAC installations, including geothermal systems.</p> |
|  <p data-bbox="516 1392 670 1570">1610/1620 Easy Install™ MERV 11 or 13 with upgrade media</p> | <p data-bbox="716 1444 1451 1539">Model 1610/1620 Easy Install™ is designed for both retrofit and new construction applications. Easy installation replaces standard one inch filters in existing upflow HVAC systems with right or left returns.</p> |



Media Upgrade Kit

Our Media Performance Upgrade Kit was designed to make older Aprilaire and Space-Gard air cleaner retrofits fast and easy. There are no tools required — simply assemble the inner housing and slide in the new filter.

Aprilaire upgrade kits with collapsible media and adjustable frames are also available to fit most Carrier, Lennox, Honeywell, Ultravation, General and Trion air cleaners. Please see page 11 for specific models.

Add More Value with These Up-Sell Control Options

Wi-Fi thermostats with IAQ control

In addition to better protection of health and HVAC system, homeowners also want more complete mobile control over the appliances in their home. With an Aprilaire Wi-Fi Thermostat and App consumers can control temperature, air purity and other aspects of indoor air quality from a single, intuitive app.

Aprilaire's 3-day weather forecast includes pollen and mold conditions to provide the information needed to determine when air cleaning is necessary.

Event-Based™ Air Cleaning

Exclusive to Aprilaire products, Event-Based™ Air Cleaning replaces the standard “FAN” button on your thermostat. Cycle through built-in events based on frequency, seasonal triggers and environmental conditions. If someone in your home is suffering from allergies, there's a setting for that. If you're kicking up dust while vacuuming, there's a setting to address that too. Give your customers convenient, instant control over indoor air quality at the push of a button.



Model 8920W

- + Universal 3H/3C or 4H/2C HP
- + Event-Based™ Air Cleaning
- + Humidity and Ventilation
- + 2 Part - 3-Wire design
- + Full color Wi-Fi touch screen



Model 8910W/8910

- + Universal 3H/3C or 4H/2C HP
- + Event-Based™ Air Cleaning
- + Humidity and Ventilation
- + 2 Part - 3-Wire design
- + Touch screen display
- + Wi-Fi (W)



Model 8620W/8620

- + Universal 2H/2C or 4H/2C HP
- + Event-Based™ Air Cleaning
- + Humidity or Ventilation
- + Touch screen display
- + Wi-Fi (W)



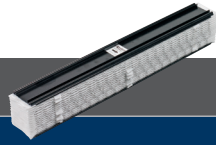
Model 8476W/8476

- + Universal 2H/2C or 4H/2C HP
- + Event-Based™ Air Cleaning
- + Wi-Fi (W)

Air Cleaner and Media Specifications



Media Specifications



EAC
MERV 13
MERV 11
MERV 10

| REPLACEMENT MEDIA | | | | |
|-------------------|----------------------------------------|--------------------------|--------------------------------------------|-----------------------------------|
| Media No. | Used with Aprilaire Air Cleaner Models | Nominal Size (in inches) | Static Pressure Drop (in. w.c.) @ 1200 CFM | Maximum Airflow Capacity (in CFM) |
| 501 | 5000 | 16" x 25" | 0.14 | 2000 |
| 113 | 1110 | 16" x 20" | 0.29 | 1200 |
| 213 | 1210, 1620, 2210, 3210, 4200* | 20" x 25" | 0.15 | 2000 |
| 313 | 1310, 2310, 3310, 4300* | 20" x 20" | 0.23 | 1200 |
| 413 | 1410, 1610, 2410, 3410, 4400* | 16" x 25" | 0.17 | 2000 |
| 513 | 1510 | 31" x 28" | 0.07 | 3000 |
| 110 | 1110 | 16" x 20" | 0.20 | 1200 |
| 210 | 1210, 1620, 2210, 3210, 4200* | 20" x 25" | 0.11 | 2000 |
| 310 | 1310, 2310, 3310, 4300* | 20" x 20" | 0.19 | 1200 |
| 410 | 1410, 1610, 2410, 3410, 4400* | 16" x 25" | 0.12 | 2000 |
| 510 | 1510 | 31" x 28" | 0.05 | 3000 |
| 201 | 2200 Space-Gard, 2200 Aprilaire | 20" x 25" | 0.14 | 2000 |
| 401 | 2400 Space-Gard, 2400 Aprilaire | 16" x 25" | 0.14 | 2000 |

MERV 13

| UPGRADE KITS | | | | | |
|--------------|-----------------------------------------------------|--------------------------|----------------|--------------------------------------------|------------------------------------|
| Media No. | Used With Space-Gard & Aprilaire Air Cleaner Models | Nominal Size (in inches) | Included Media | Static Pressure Drop (in. w.c.) @ 1200 CFM | Maximum Airflow Capacity* (in CFM) |
| 1213 | 2200* | 20" x 25" | 213 | 0.15 | 2000 |
| 1413 | 2400* | 16" x 25" | 413 | 0.17 | 2000 |

| REMOVAL EFFICIENCY (Based on Particle Size) | | | |
|---------------------------------------------|-----------------|-----------------|----------------|
| | 0.3-1.0 Microns | 1.0-3.0 Microns | 3.0-10 Microns |
| EAC | 89% | 95% | 98% |
| MERV 13 | 63% | 88% | 93% |
| MERV 11 | 37% | 67% | 92% |
| MERV 10 | 22% | 56% | 92% |

*Air cleaner models no longer available.

Test Method - EAC - AHRI 680-2009, MERV 10-13 - ASHRAE 52.2.2012

| COMPATIBLE | | | | |
|-------------|-----------------------|----------|-------------------------------------------------------------------|-----------------------------------|
| Upgrade Kit | Fits Air Cleaner Size | Filters | Fits Air Cleaner Models by: | Maximum Airflow Capacity (in CFM) |
| Model 4897 | 16" x 25" | 610, 613 | Carrier General Honeywell Lennox Trion Ultravation | 2000 |
| | 20" x 25" | 810, 813 | | 2000 |
| Model 4898 | 16" x 20" | 110, 113 | | 1200 |
| | 20" x 20" | 310, 313 | | 1200 |

| PRESSURE DROP CHART | | | | | | | | | | | | | | | |
|---------------------|---------------------------------------------|------|------|------|------|------|------|------|------|------|------|------|------|------|------|
| Media No. | Static Pressures at Variable CFM (in. w.c.) | | | | | | | | | | | | | | |
| | 200 | 400 | 600 | 800 | 1000 | 1200 | 1400 | 1600 | 1800 | 2000 | 2200 | 2400 | 2600 | 2800 | 3000 |
| 501 | 0.02 | 0.04 | 0.05 | 0.08 | 0.10 | 0.14 | 0.17 | 0.21 | 0.25 | 0.29 | - | - | - | - | - |
| 113 | 0.03 | 0.07 | 0.11 | 0.16 | 0.22 | 0.29 | - | - | - | - | - | - | - | - | - |
| 213 | 0.02 | 0.04 | 0.06 | 0.09 | 0.12 | 0.15 | 0.19 | 0.23 | 0.27 | 0.31 | - | - | - | - | - |
| 313 | 0.03 | 0.05 | 0.09 | 0.13 | 0.17 | 0.23 | - | - | - | - | - | - | - | - | - |
| 413 | 0.02 | 0.05 | 0.07 | 0.10 | 0.14 | 0.17 | 0.22 | 0.26 | 0.31 | 0.37 | - | - | - | - | - |
| 513 | 0.01 | 0.02 | 0.04 | 0.05 | 0.05 | 0.07 | 0.08 | 0.10 | 0.11 | 0.13 | 0.15 | 0.17 | 0.18 | 0.20 | 0.23 |
| 613 | 0.02 | 0.05 | 0.07 | 0.10 | 0.14 | 0.17 | 0.22 | 0.26 | 0.31 | 0.37 | - | - | - | - | - |
| 813 | 0.02 | 0.04 | 0.06 | 0.09 | 0.12 | 0.15 | 0.19 | 0.23 | 0.27 | 0.31 | - | - | - | - | - |
| 110 | 0.02 | 0.05 | 0.06 | 0.10 | 0.14 | 0.20 | - | - | - | - | - | - | - | - | - |
| 210 | 0.02 | 0.03 | 0.04 | 0.06 | 0.08 | 0.11 | 0.13 | 0.16 | 0.19 | 0.22 | - | - | - | - | - |
| 310 | 0.02 | 0.04 | 0.06 | 0.10 | 0.14 | 0.19 | - | - | - | - | - | - | - | - | - |
| 410 | 0.02 | 0.03 | 0.05 | 0.07 | 0.09 | 0.12 | 0.15 | 0.19 | 0.22 | 0.27 | - | - | - | - | - |
| 510 | 0.02 | 0.02 | 0.03 | 0.04 | 0.04 | 0.05 | 0.06 | 0.07 | 0.09 | 0.10 | 0.12 | 0.14 | 0.15 | 0.17 | 0.19 |
| 610 | 0.02 | 0.03 | 0.05 | 0.07 | 0.09 | 0.12 | 0.15 | 0.19 | 0.22 | 0.27 | - | - | - | - | - |
| 810 | 0.02 | 0.03 | 0.04 | 0.06 | 0.08 | 0.11 | 0.13 | 0.16 | 0.19 | 0.22 | - | - | - | - | - |
| 201 | 0.02 | 0.04 | 0.05 | 0.08 | 0.10 | 0.14 | 0.17 | 0.21 | 0.25 | 0.29 | - | - | - | - | - |
| 401 | 0.02 | 0.04 | 0.05 | 0.08 | 0.10 | 0.14 | 0.17 | 0.21 | 0.25 | 0.29 | - | - | - | - | - |

EAC
 MERV 13
 MERV 11
 MERV 10

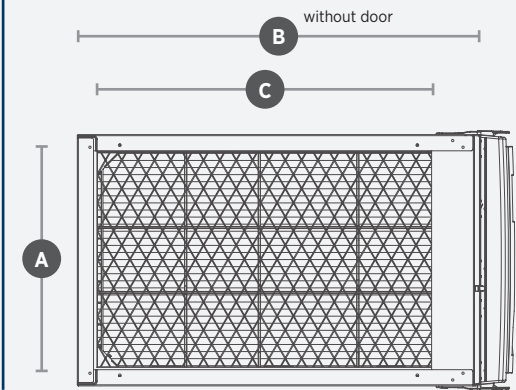
5000 ELECTRONIC AIR CLEANER

MODEL 5000 SPECIFICATIONS AND SIZING SUMMARY

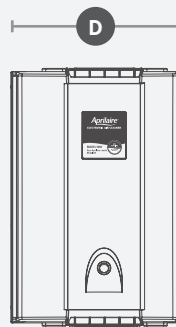
| Nominal Size | Shipping Weight | Replacement Media | Filtering Media Area |
|--------------|-----------------|-------------------|----------------------|
| 16" x 25" | 38 lbs. | Model 501 | 72.3 sq. ft. |



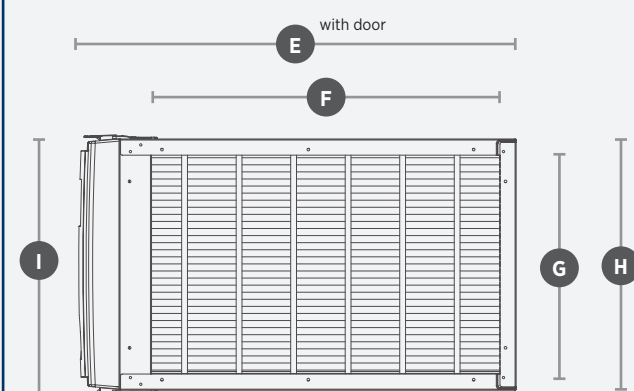
Inlet Side Return Duct Connection



Front



Outlet Side Furnace Connection



The Model 5000 greatly minimizes airborne contaminants that can aggravate allergies as well as asthma, cold and flu symptoms. Captures 89% of particles 0.3-1 micron in size and 98% of particles 3-10 microns in size.

Comes with Model 8476 Universal Programmable (4H/2C) Thermostat with Event-Based™ Air Cleaning

FEATURES

- + Silent operation — none of the “snapping” or “popping” that’s common with plate-type EACs
- + Minimal maintenance required — simply replace media annually and wipe off internal components
- + Made of corrosion-resistant heavy gauge galvanized steel
- + UL classified cabinet and media
- + Load rated up to 400 lbs.
- + 5-year warranty on cabinet from date of installation
- + Unit is equipped with 6 ft. grounded cord with plug
- + Consumes less than 50 watts with high voltage active

BENEFITS

- + Captures 89% of particles 0.3-1 micron in size and 98% of particles 3-10 microns in size
- + Offers equipment protection from dust buildup
- + Assured equipment performance
- + Media revenue — HVAC channel only
- + Superior performance over one inch panel filters and four inch cartridge filters

| Dimension | Description | Model 5000 |
|-----------|------------------------------------------|-----------------|
| A | Inlet Opening Height | 15 1/2" (394mm) |
| B | Outer Housing Depth without Door & Clips | 28 1/8" (714mm) |
| C | Inlet Opening Width | 23 7/8" (606mm) |
| D | Unit Width | 12" (305mm) |
| E | Outer Housing Depth with Door & Clips | 31" (787mm) |
| F | Outlet Opening Width | 24 3/8" (625mm) |
| G | Outlet Opening Height | 15 1/2" (394mm) |
| H | Unit Height at Back | 17 3/4" (451mm) |
| I | Unit Height at Front | 18 3/8" (467mm) |

ELECTRICAL SPECIFICATIONS

| | |
|-----------|---------------|
| Voltage | 120 VAC ± 15% |
| Frequency | 60Hz |
| Current | 0.3 A |

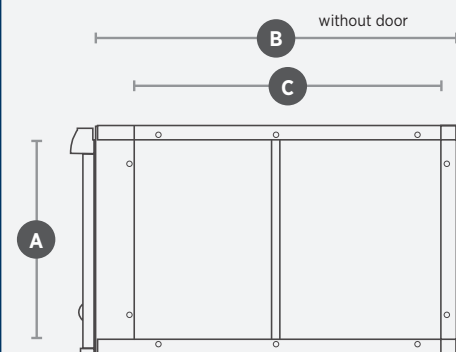
3000/2000 Series WHOLE-HOME AIR CLEANERS



3000/2000 SERIES SPECIFICATIONS AND SIZING SUMMARY

| Model | | Nominal Size | Shipping Weight | | Replacement Media | |
|-------|------|--------------|-----------------|---------|-------------------|-----------|
| | | | | | Ships With | Also Uses |
| 3210 | 2210 | 20" x 25" | 18.6 lbs. | 18 lbs. | Model 213 | Model 210 |
| 3310 | 2310 | 20" x 20" | 15.6 lbs. | 15 lbs. | Model 313 | Model 310 |
| 3410 | 2410 | 16" x 25" | 17.6 lbs. | 17 lbs. | Model 413 | Model 410 |

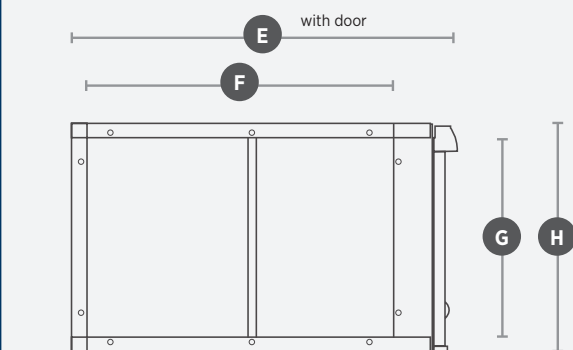
Inlet Side Return Duct Connection



Front



Outlet Side Furnace Connection



The Model 3000 and 2000 series air cleaners are shipped with MERV 13 media, so they can trap particles that are smaller than one micron.

3000 Series Air Cleaners include our Model 8476 Thermostat with Event-Based™ Air Cleaning, which gives homeowners on-demand control.

▶ FEATURES

- + Ships with MERV 13 filter
- + Can use MERV 11 filter with simple media change
- + Minimal maintenance required — simply replace media annually
- + Made of corrosion-resistant heavy gauge pre-painted steel
- + Proprietary door design and Self-Seal™ media virtually eliminates air bypass, delivering MERV performance as rated
- + UL classified cabinet and media
- + Load rated up to 400 lbs.
- + 5-year warranty on cabinet from date of installation

▶ BENEFITS

- + Offers equipment protection from dust buildup
- + Assured equipment performance
- + Media revenue — HVAC channel only
- + Superior performance over one inch panel filters and four inch cartridge filters
- + 3000 Series air cleaner and thermostat packaged for easier whole-system installation

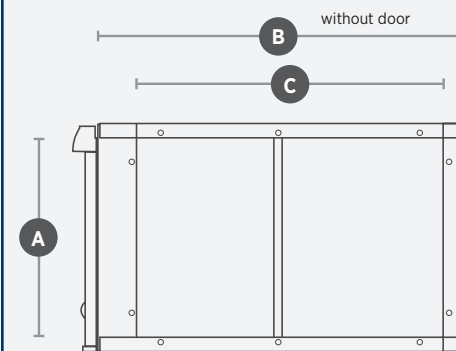
| Dim. | Description | Model | | |
|------|----------------------------------|-----------------|-----------------|-----------------|
| | | 2210/3210 | 2310/3310 | 2410/3410 |
| A | Inlet Opening Height | 19 3/4" (502mm) | 18 1/2" (459mm) | 15 1/2" (392mm) |
| B | Outer Housing Depth without Door | 25 3/8" (645mm) | 20 1/2" (509mm) | 28 1/2" (713mm) |
| C | Inlet Opening Width | 21 3/8" (538mm) | 15 7/8" (403mm) | 23 7/8" (606mm) |
| D | Unit Width | 6 3/4" (171mm) | 6 3/4" (171mm) | 6 3/4" (171mm) |
| E | Outer Housing Depth with Door | 27 3/8" (695mm) | 22 1/2" (560mm) | 30 1/2" (763mm) |
| F | Outlet Opening Width | 21 3/8" (538mm) | 15 7/8" (403mm) | 23 7/8" (606mm) |
| G | Outlet Opening Height | 19 3/4" (502mm) | 18 1/2" (459mm) | 15 1/2" (392mm) |
| H | Unit Height | 22 1/2" (560mm) | 20 3/8" (518mm) | 17 3/4" (451mm) |

1000 Series WHOLE-HOME AIR CLEANER

1000 SERIES SPECIFICATIONS AND SIZING SUMMARY

| Model | Nominal Size | Shipping Weight | Replacement Media | |
|-------|--------------|-----------------|-------------------|------------|
| | | | Ships With | Upgrade To |
| 1110 | 16" x 20" | 13 lbs. | Model 110 | Model 113 |
| 1210 | 20" x 25" | 18 lbs. | Model 210 | Model 213 |
| 1310 | 20" x 20" | 15 lbs. | Model 310 | Model 313 |
| 1410 | 16" x 25" | 17 lbs. | Model 410 | Model 413 |

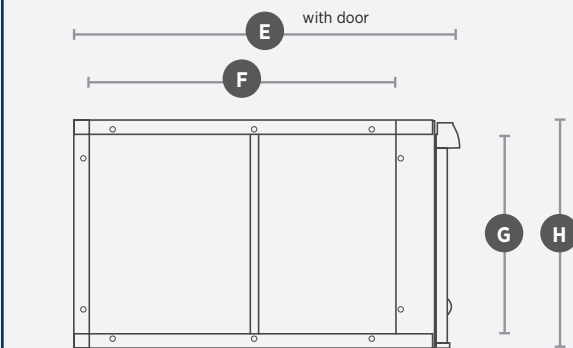
Inlet Side Return Duct Connection



Front



Outlet Side Furnace Connection



| Dim. | Description | Model | | | |
|------|----------------------------------|-------------------|-----------------|-------------------|-----------------|
| | | 1110 | 1210 | 1310 | 1410 |
| A | Inlet Opening Height | 15 1/8" (392mm) | 19 3/4" (502mm) | 18 1/8" (459mm) | 15 1/8" (392mm) |
| B | Outer Housing Depth without Door | 20 1/8" (509.5mm) | 25 3/8" (645mm) | 20 1/8" (509.5mm) | 28 1/8" (713mm) |
| C | Inlet Opening Width | 17 3/8" (441mm) | 21 3/8" (538mm) | 15 7/8" (403mm) | 23 3/8" (606mm) |
| D | Unit Width | 6 3/4" (171mm) | 6 3/4" (171mm) | 6 3/4" (171mm) | 6 3/4" (171mm) |
| E | Outer Housing Depth with Door | 22 1/8" (560mm) | 27 3/8" (695mm) | 22 1/8" (560mm) | 30 1/8" (763mm) |
| F | Outlet Opening Width | 17 3/8" (441mm) | 21 3/8" (538mm) | 15 7/8" (403mm) | 23 3/8" (606mm) |
| G | Outlet Opening Height | 15 1/8" (392mm) | 19 3/4" (502mm) | 18 1/8" (459mm) | 15 1/8" (392mm) |
| H | Unit Height | 17 3/4" (451mm) | 22 1/8" (560mm) | 20 3/8" (518mm) | 17 3/4" (451mm) |



With multiple sizes and narrow profile, Aprilaire has the right solution for any application, including new installs, system replacements or add-ons.

Protect equipment, reduce callbacks and grow revenue with our patented media.

► FEATURES

- + Ships with MERV 11 filter
- + Can be upgraded to MERV 13 filter with simple media change
- + Minimal maintenance required — simply replace media annually
- + Made of corrosion-resistant heavy gauge galvanized steel
- + Proprietary door design and Self-Seal™ media virtually eliminates air bypass, delivering MERV performance as rated
- + UL classified cabinet and media
- + Load rated up to 400 lbs.
- + 5-year warranty on cabinet from date of installation

► BENEFITS

- + Offers equipment protection from dust buildup
- + Assured equipment performance
- + Media revenue — HVAC channel only
- + Superior performance over one inch panel filters and four inch cartridge filters

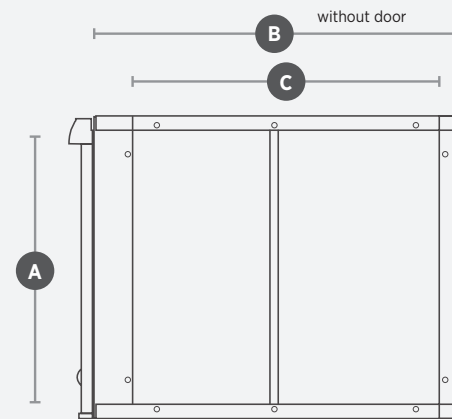
1510 LOW-RESISTANCE WHOLE-HOME AIR CLEANER



MODEL 1510 SPECIFICATIONS AND SIZING SUMMARY

| Model | Nominal Size | Shipping Weight | Replacement Media | |
|-------|--------------|-----------------|-------------------|------------|
| | | | Ships With | Upgrade To |
| 1510 | 31" x 28" | 23.3 lbs. | Model 510 | Model 513 |

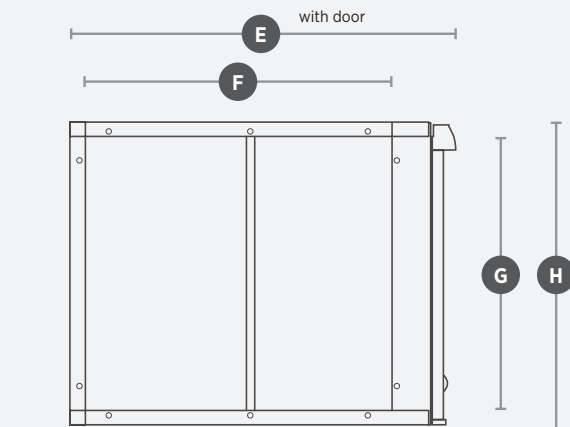
Inlet Side Return Duct Connection



Front



Outlet Side Furnace Connection



The Model 1510 is designed for low static pressure on higher tonnage residential HVAC installations including geothermal systems.

FEATURES

- + Ships with MERV 11 filter
- + Can be upgraded to MERV 13 filter with simple media change
- + Minimal maintenance required — simply replace media annually
- + Made of corrosion-resistant heavy gauge galvanized steel
- + Proprietary door design and Self-Seal™ media virtually eliminates air bypass, delivering MERV performance as rated
- + UL classified cabinet and media
- + Load rated up to 400 lbs.
- + 5-year warranty on cabinet from date of installation

BENEFITS

- + Eliminates the need for multiple air cleaners on a single system
- + Offers equipment protection from dust buildup
- + Assured equipment performance
- + Media revenue — HVAC channel only
- + Superior performance over one inch panel filters and four inch cartridge filters

| Dimension | Description | Model 1510 |
|-----------|----------------------------------|--------------------------------------------|
| A | Inlet Opening Height | 28 ²³ / ₃₂ " (730mm) |
| B | Outer Housing Depth without Door | 28 ¹ / ₁₆ " (712mm) |
| C | Inlet Opening Width | 23 ⁷ / ₈ " (607mm) |
| D | Unit Width | 6 ³ / ₄ " (171mm) |
| E | Outer Housing Depth with Door | 30 ¹ / ₁₆ " (763mm) |
| F | Outlet Opening Width | 23 ⁷ / ₈ " (606mm) |
| G | Outlet Opening Height | 28 ²³ / ₃₂ " (730mm) |
| H | Unit Height | 31" (788mm) |

1610/1620 EASY INSTALL WHOLE-HOME AIR CLEANER

MODEL 1610 SPECIFICATIONS AND SIZING SUMMARY

| Model | Nominal Size | Shipping Weight | Replacement Media | |
|-------|--------------|-----------------|-------------------|------------|
| | | | Ships With | Upgrade To |
| 1610 | 16" x 25" | 22 lbs. | Model 410 | Model 413 |
| 1620 | 20" x 25" | 31 lbs. | Model 210 | Model 213 |



The Model 1610 and 1620 are designed for easy installation in upflow HVAC systems with right or left returns. It features built-in ductwork for applications that require a 90° duct adapter and an 8-10" adjustable return opening.

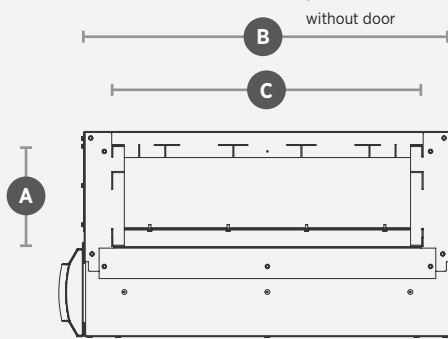
FEATURES

- + Ships with MERV 11 filter
- + Can be upgraded to MERV 13 filter with simple media change
- + Easily converts to right or left side by reversing door and back plate
- + Includes metal tabs for securing the air cleaner frame to the furnace or air handler
- + Simple annual replacement media
- + Made of corrosion-resistant heavy gauge pre-painted steel
- + Proprietary door design and Self-Seal™ media virtually eliminates air bypass for optimal performance
- + 5-year warranty on cabinet from date of installation

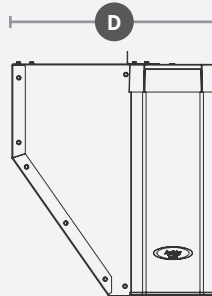
BENEFITS

- + Reduced installation time — no need for field-formed transitions — requires little or no cold air return repositioning
- + Protects HVAC equipment from dust buildup
- + Assured equipment performance
- + Superior performance over one inch panel filters and four inch cartridge filters

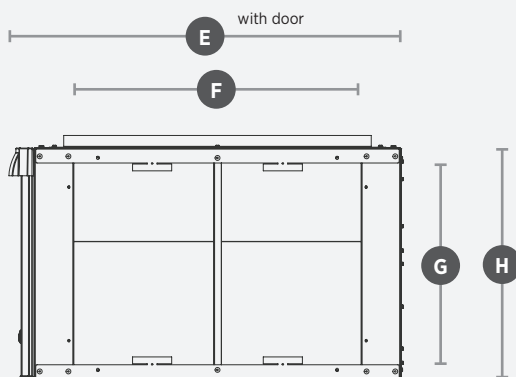
Inlet Return Duct Connection (Top View)



Front



Outlet Side Furnace Connection



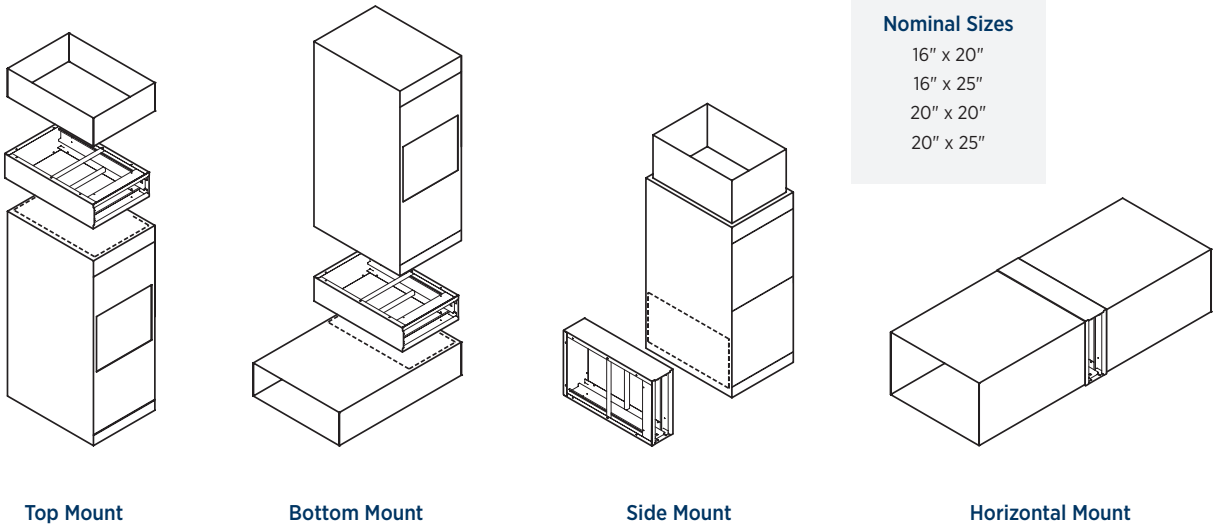
| Dimension | Description | Model 1610 | Model 1620 |
|-----------|----------------------------------|---------------------------------|---------------------------------|
| A | Inlet Opening Width | 8 3/32" to 10 3/32" (206-257mm) | 8 3/32" to 10 3/32" (206-257mm) |
| B | Outer Housing Depth without Door | 28 3/16" (716mm) | 25 3/8" (645mm) |
| C | Inlet Opening Depth | 24 3/32" (612mm) | 24 3/32" (612mm) |
| D | Unit Width | 15 1/16" (399mm) | 15 1/16" (399mm) |
| E | Outer Housing Depth with Door | 30 3/32" (765mm) | 27 3/8" (695mm) |
| F | Outlet Opening Width | 22" (559mm) | 19 5/16" (490.5mm) |
| G | Outlet Opening Height | 15 1/2" (394mm) | 19 3/4" (502mm) |
| H | Unit Height | 17 13/16" (452mm) | 22 1/8" (562mm) |

Application Guidance



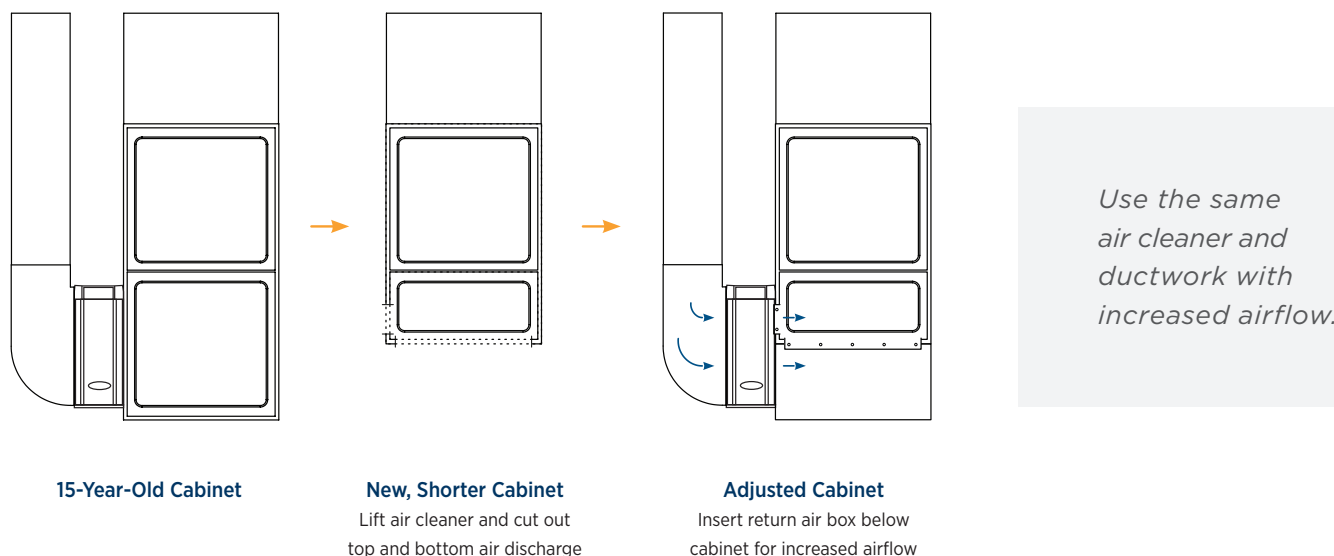
Application Guidance

Aprilaire's award-winning line up of air cleaners are configured based upon the many different air handler cabinet sizes. No matter if it's a downflow, upflow, horizontal, two, three or five ton system, Aprilaire has the size to make installation easy.

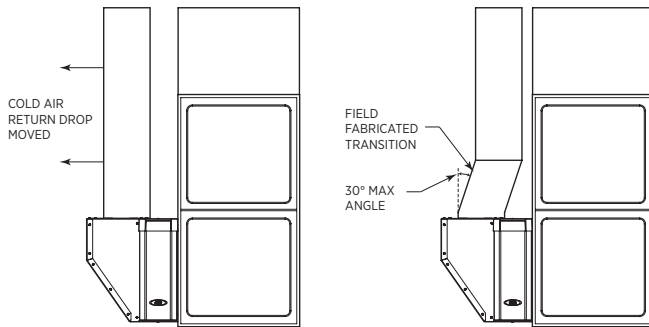


It's all about airflow

Equipment cabinet sizes are getting smaller. Use the smaller size cabinet as an opportunity to increase airflow.



Contractors have done the math. Using the Model 1610/1620 with a factory attached transition is cost effective, and there is no need to purchase a separate transition.



► **BENEFITS**

- + Minimizes distance from the air handler for tight install (water heater)
- + Perfect when return is close to air handler, when replacing 1" or 2" panel filter slots
- + Converts easily to right or left side
- + Unique air inlet tab adjusts to multiple duct sizes

High tonnage systems and geothermal

The system pressures of these applications require very low resistance. Historically, contractors stack air cleaners. The Aprilaire Model 1510 is specifically designed for these applications.

