



**GRILLES, REGISTERS AND DIFFUSERS**  
2014 PRODUCT CATALOG  
REV. 10-14



**AIRMATE IS A RECOGNIZED  
LEADER IN THE HVAC INDUSTRY,  
PROVIDING SUPERIOR DESIGN AND  
SETTING THE STANDARD FOR QUALITY**

AirMate's comprehensive product line includes grilles, registers and diffusers for residential and commercial/industrial applications. We are proud to be a member of the Selkirk Corporation brand family.

For almost a century, Selkirk Corp. has been a leader in the HVAC industry. Selkirk provides over 2,800 of top-quality grilles, registers and diffusers, as well as many chimney, venting and commercial pipe products.

All of our products are engineered by our industry experts, manufactured from the finest materials and tested at our state-of-the-art lab in Grand Rapids, MI to ensure a high performance standard.

Our US headquarters are located in Grand Rapids MI, with Canadian headquarters in Stoney Creek, ON. Additionally, Selkirk has 9 manufacturing facilities and 5 distribution centers located across North America.

We employ a full time support staff of nearly 30 Customer Service Representatives and 5 Technical Support Specialists, who are readily available to take your call. Have a question about a product or installation? Our staff is available to make your job easier.



**Selkirk Corporation**

5030 Corporate Exchange Blvd.  
Grand Rapids, MI 49512

**P** (800) 992-VENT (8368)

**F** (877) 393-4145

**Selkirk Canada Corporation**

375 Green Road  
Stoney Creek, Ontario  
Canada L8E 4A5

**P** (888) SELKIRK (735-5475)

**F** (866) 835-9624

[www.AirMate.com](http://www.AirMate.com)  
[www.selkirkcorp.com](http://www.selkirkcorp.com)

## RESIDENTIAL

### FLOOR REGISTERS AND GRILLES

300 OS	Perimeter Floor Register	2
302A	Floor Diffuser	2
301	Toe Space Grille	2
310FB	Deluxe Floor Register	3
325	Floor Return Air Grille	3
325MS	Floor Register	3
E315M	Aluminum Floor Diffuser	4

### BASEBOARD REGISTERS AND GRILLES

350	Baseboard Diffuser	4
351	Return Air Grille	4
164	Baseboard Diffuser	5
165	Baseboard Register with Damper	5
171	Return Air Grille	5
174	Baseboard Return Air Grille	6
166	Baseboard Register with Damper	6
176	Baseboard Return Air Grille	6

### SIDEWALL REGISTERS AND GRILLES

501	One-Way Horizontal with Multi-Shutter Damper	7
502	Two-Way Horizontal with Multi-Shutter Damper	7
503	Three-Way with Multi-Shutter Damper	7
504	Four-Way Register with Multi-Shutter Damper	8
601	One-Way Horizontal with Multi-Shutter Damper	8
602	Two-Way Horizontal with Multi-Shutter Damper	8
603	Three-Way with Multi-Shutter Damper	9
604	Four-Way with Multi-Shutter Damper	9
401HM	One-Way Adjustable Curved Blade	9
402HM	Two-Way Adjustable Curved Blade	10
403M	Three-Way Adjustable Curved Blade	10
404M	Four-Way Adjustable Curved Blade	10
A420	One-Way Vertical with Multi-Shutter Damper	11
A451	One-Way Aluminum Adjustable Curved Blade	11
A452	Two-Way Aluminum Adjustable Curved Blade	11
A453	Three-Way Aluminum Adjustable Curved Blade	12
A454	Four-Way Aluminum Adjustable Curved Blade	12
180	One-Way 1/2" Lanced	12
160	Two-Way 1/2" Lanced	13
140	Three-Way 1/2" Lanced	13
190	Four-Way 1/2" Lanced	13
163	Two-Way 1/3" Lanced	14
143	Three-Way 1/3" Register	14
193	Four-Way 1/3" Register	14
170	Return Air Grille 1/2" Lanced	15
173	Return Air Grille 1/3" Lanced	15
AAD	Access Door	15

### RETURN AIR FILTER GRILLES

170FF	Return Air Filter Grille 1/2" Lanced	15
170FIL	Return Air Filter Grille w/ Filter 1/2" Lanced	16
173FF	Return Air Filter Grille 1/3" Lanced	16
173FIL	Return Air Filter Grille w/ Filter 1/3" Lanced	16

### REZZIN REGISTERS AND GRILLES

RZ-Floor	Rezzin Two-Way Floor Diffuser	17
2-WAY	Rezzin Sidewall / Ceiling Register	17
3-WAY	Rezzin Sidewall / Ceiling Register	17
4-WAY	Rezzin Sidewall / Ceiling Register	17

### REZZIN CEILING DIFFUSERS

RZ-Square	Rezzin Square Ceiling Diffuser	18
RZ-Round	Rezzin Round Ceiling Diffuser	18

### CEILING DIFFUSERS

800	Ceiling Diffuser	19
800R	Duct Ring	19
800D	Butterfly Damper	19
A1001	One-Way Square Ceiling Diffuser	20
A1002	Two-Way Square Ceiling Diffuser	20
A1003	Three-Way Square Ceiling Diffuser	20

A1004	Four-Way Square Ceiling Diffuser	21
A1005	Two-Way Corner Square Ceiling Diffuser	21
TB1000P	T-Bar Panel for Diffusers	21
E1250	Aluminum Evaporative Cooler	22
E2030	Aluminum Step Down Diffuser	22
1100	4-Way Ceiling Diffuser Box	22
1010	Evaporative Ceiling Diffuser	23
1020	Evaporative Ceiling Diffuser w/ Plate Damper	23
1030	Evaporative Ceiling Diffuser w/ MS Damper	23

## COMMERCIAL

### REGISTERS AND GRILLES – STEEL

740	Perforated Face Grille	24
220	Single Deflection Register	24
200VO	Single Deflection Register w/ OBD	24
240	Double Deflection Register	25
240 O	Double Deflection Register w/ OBD	25
280	Fixed Blade Return Air Grille	25
280 OB	Fixed Blade Register w/ OBD	26
280FF	Fixed-Bar Filter Grille	26

### REGISTERS AND GRILLES – EXTRUDED ALUMINUM

E401H	One-Way Adjustable Curved Blade	27
E402H	Two-Way Adjustable Curved Blade	27
E403	Three-Way Adjustable Curved Blade	27
E4033	Three-Way Corner Adjustable Curved Blade	28
E404	Four-Way Adjustable Curved Blade	28
E200H	Horizontal Deflection Register	28
E240H	Double Deflection Register	29
E200V	Vertical Deflection Register	29
E240V	Double Deflection Register	29
E275	Fixed Curved Blade Grille	30
E275 O	Fixed Curved Blade Grille w/ OBD	30
E275FF	Fixed Curved Blade Filter Grille	30
E280	Fixed Blade Return Air Grille	31
E280 O	Fixed Blade Register w/ OBD	31
E280FF	Fixed Bar Filter Grille	31
E290	Fixed Blade Return Air Grille	32
E290 O	Fixed Blade Register w/ OBD	32
E285A	Transfer Grille	32
E900	Eggcrate Return Air Grille	33
E900 O	Eggcrate Grille w/ OBD	33
E900FF	Eggcrate Filter Grille	33

### CEILING DIFFUSERS – STEEL

805	Round Diffuser	34
805D	Damper	34

### CEILING DIFFUSERS – ALUMINUM

E464	Adjustable Modular Diffuser Flat Frame	35
E464B	Adjustable Modular Diffuser Beveled Frame	35
E1040CF	Concentric Diffuser Flat Frame	35
E1040CS	Concentric Diffuser Beveled Frame	36

### SPIRAL DIFFUSERS

ESD	Single-Deflection Spiral Diffuser	36
ESDD	Double-Deflection Spiral Diffuser	37
EUSD	Single-Deflection Universal Spiral Diffuser	38
EUSDD	Double-Deflection Universal Spiral Diffuser	39
ESF	Slot Face Diffuser	40

### LINEAR DIFFUSERS

ELF/ELS	Linear Series Diffusers	40,41
ELFC/ELSC	Mitered Corner	41
	Linear Diffuser Dimensional Data	42
ELF/ELS	Single-Leaf Damper Option	43
ELF/ELS	Grid Option	43
ELF/ELS	OBD Damper Option	43

## SLOT DIFFUSERS

ESCD .....	Slot Diffusers .....	44,45
ESDCD .....	Mitered Corner .....	48
PS .....	Distribution Plenum .....	49

## LOUVERS

BL .....	Brick/Block Vents .....	50
DG .....	Drum Louver .....	51
E2530 .....	Stationary Louver 1–1/2" depth .....	51
E2545 .....	Stationary Louver 1–1/2" depth .....	52
E2245 .....	Stationary Louver 2" depth .....	52
E2445 .....	Stationary Louver 4" depth .....	53
E2045CA .....	Adjustable Louver 4" depth .....	53

## REZZIN T-BAR DIFFUSERS

4-WAY T-Bar .....	Rezzin T-Bar Directional Diffuser .....	54
Sq to Rd .....	Rezzin Square-to-Round Transition .....	54
Mod Core .....	Rezzin T-Bar Modular Core Diffuser .....	54
Back Panel .....	Rezzin Back Panel .....	55
Egg Crate .....	Rezzin T-Bar Eggcrate Filter Grille .....	55

## T-BAR RETURN AIR FILTER GRILLES

TB173FF .....	Filter Grille with Fiberglass Back .....	55
TB170FF .....	Filter Grille .....	56
TB170FF INS .....	Filter Grille with Fiberglass Back .....	56
TB170FF 4 INS .....	Filter Grille with Insulated Plenum back .....	56
TB280FF .....	Fixed-Bar Filter Grille .....	57
TB280FF INS .....	Fixed-Bar Filter Grille w/ Fiberglass Back .....	57
ETB280FF .....	Fixed-Bar-Style Filter Grille .....	57
ETB900FF .....	Eggcrate Filter Grille .....	58
TB740FF .....	Perforated Filter Grille .....	58
TB740FF INS .....	Perforated Filter Grille w/ Fiberglass Back .....	58

## T-BAR RETURN AIR GRILLES

TB280 .....	Steel Fixed Bar-Style Return Grille .....	59
ETB280 .....	Aluminum Fixed Bar-Style Return Grille .....	59
ETB275 .....	Aluminum Fixed Curved-Blade Return Grille .....	59
ETB900 .....	Eggcrate Return Grille .....	60
ETB900 INS .....	Eggcrate Return Grille with Fiberglass Back .....	60

## T-BAR PERFORATED SUPPLY/RETURN

704 .....	Curved-Blade Perforated Supply .....	61
703 .....	Curved-Blade Perforated Return .....	61
706 .....	Stamped Curved-Blade Perforated Supply .....	61
2100 .....	Shallow Back Perforated Supply .....	62
756 .....	Perforated Supply w/ Fiberglass Blanket .....	62
756RA .....	Perforated Return Grille .....	62
766 .....	Perforated Supply w/ Fiberglass Blanket .....	63
782SA .....	Perforated Supply w/ Fiberglass Back Diffuser .....	63
782RA .....	Perforated Return w/ Fiberglass Back .....	63
770 INS R6 .....	Perforated Supply w/ Fiberglass Back .....	64
790 .....	Removable Face Perforated Supply .....	64
790RA .....	Removable Face Perforated Return .....	64
6400P .....	Perforated Return Face Only .....	65
700PF .....	Perforated Return Face w/ Frame .....	65

## T-BAR EXPANDED SUPPLY/RETURN

751 .....	Expanded Perforated Supply w/ Fiberglass Back .....	66
752 .....	Expanded Perforated Supply w/ Fiberglass Back .....	66
762A .....	Expanded Perforated Supply w/ Fiberglass Back .....	66
750RA .....	Expanded Perforated Return w/ Fiberglass Back .....	67
760A .....	Expanded Perforated Return w/ Fiberglass Back .....	67
700EP .....	Expanded Perforated Face Only .....	67

## T-BAR FIXED PATTERN DIFFUSER

1300FP .....	Plate Diffuser .....	68
1301FP .....	Plate Diffuser w/ Damper .....	68
A1300FP .....	Aluminum Plate Diffuser .....	68
1300FP-12 .....	1 x 1 Plate Diffuser .....	68
1300 SERIES .....	3-Cone Face Diffuser .....	69
1300U R6 .....	3-Cone Face Diffuser Supply .....	69
1301 SERIES .....	3-Cone Face Diffuser w/ Damper .....	69
1302-12 .....	2-Cone Face Diffuser .....	70
1302 SERIES .....	2-Cone Face Diffuser .....	70
1303 SERIES .....	2-Cone Face Diffuser w/ Damper .....	70

## SURFAIRE/RENOVATOR DIFFUSER

A2200 .....	Renovator Series Diffuser .....	71
A2204 .....	Renovator Series Diffuser w/ Fiberglass Back .....	71

## T-BAR DIRECTIONAL/MODULAR DIFFUSER

TB1060 SERIES .....	Steel T-Bar Diffusers .....	72
TB1064 SERIES .....	Steel T-Bar Diffusers w/ Fiberglass Back .....	72
ETB1060 SERIES .....	Aluminum T-Bar Diffusers .....	72
ETB464 .....	Aluminum Modular Core Diffuser .....	73
ETB464B .....	Aluminum Modular Core Diffuser .....	73
TB1100 .....	4-Way Ceiling Diffuser Box .....	73

## T-BAR ACCESSORIES

805RC .....	Series Collar Ring .....	74
800TC .....	Tab Collar .....	74
800DO .....	Butterfly Damper .....	74
800RD .....	Radial Damper .....	75
805PP .....	Push Pins .....	75
Plenum Only Series .....	Molded Fiberglass Back .....	75
Drywall Frame .....	T-Bar Frame for Drywall .....	76
810SR .....	Square-to-Round Transition .....	76

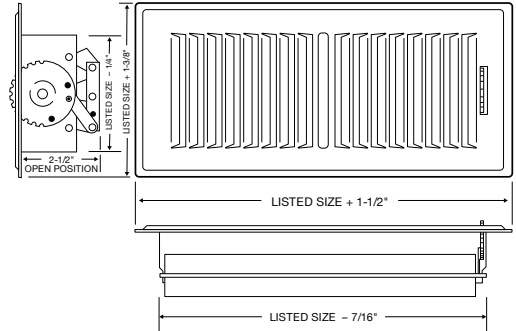


## 300OS PERIMETER FLOOR REGISTER



- Heavy-gauge stamped face
- One-piece, stamped, straight, hemmed lanced face
- Lances 9/16" on center
- 30° angle of deflection
- Foot-operated, multi-shutter air volume control
- Brown or Bright White enamel finish

Model	Material	Damper
300OS	Steel	MS

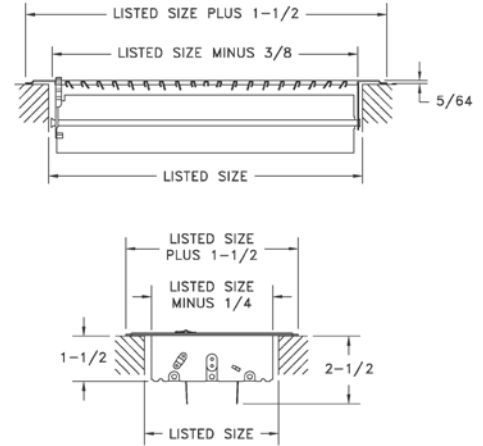


## 302A FLOOR DIFFUSER



- Welded construction
- Foot-operated dial control
- Brown or Bright White enamel finish
- Multi-angle fin setting
- Rolled fin for strength and safety

Model	Material	Damper
302A	Steel	MS

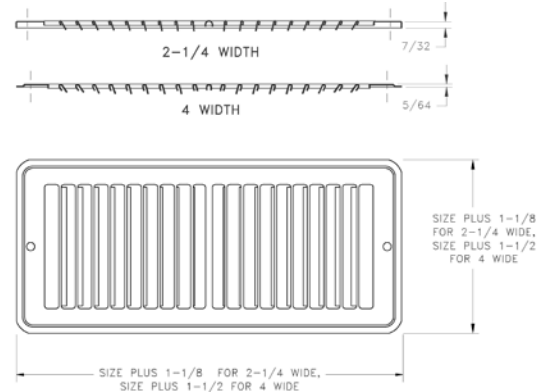


## 301 TOE SPACE GRILLE



- Heavy-gauge stamped face
- Multi-angle fins
- Brown or Bright White enamel finish

Model	Material	Damper
301	Steel	none

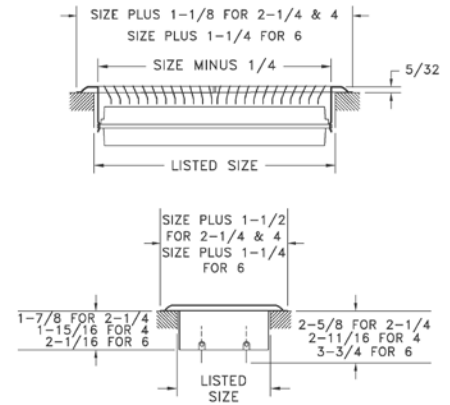


## 310FB DELUXE FLOOR REGISTER



- Heavy-gauge, individually welded diffusion vanes
- Multi-angle fin setting
- Foot-operated dial control
- Can be used in high traffic areas
- Brown or Bright White enamel finish

Model	Material	Damper
310FB	Steel	MS on 2" width
310FB	Steel	OBD on 4", 6" width

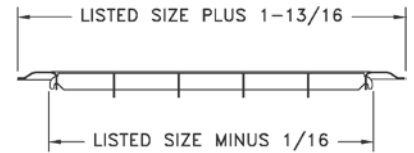


## 325 FLOOR RETURN AIR GRILLE



- Provides firm, smooth surface
- Extremely rigid
- Free area averages over 75%
- Brown enamel finish

Model	Material	Damper
325	Steel	none

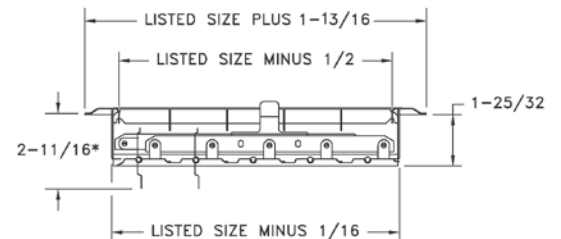


## 325MS FLOOR REGISTER



- Provides firm, smooth surface
- Extremely rigid
- Free area averages over 75%
- Toe-operated valve control
- Brown enamel finish

Model	Material	Damper
325MS	Steel	MS



\*3-9/16 FOR SIZES OVER 14 x 20



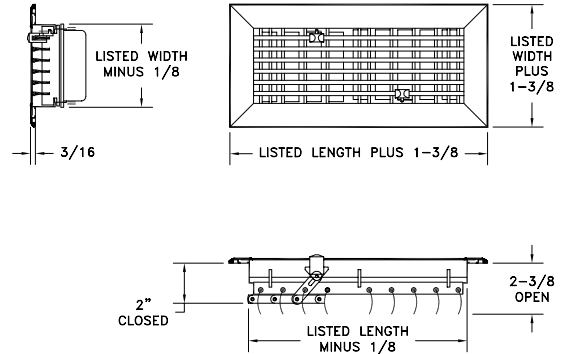
airmate.com  
(800) 992-8368

# FLOOR/BASEBOARD REGISTERS AND GRILLES

## E315M ALUMINUM FLOOR DIFFUSER



- Extruded aluminum construction
- Corrosion-resistant, high strength
- Heavy cross-bracing at strategic intervals
- Dual multi-shutter valves for adjustable air pattern
- Nylon slide valve operators
- Satin-anodized finish

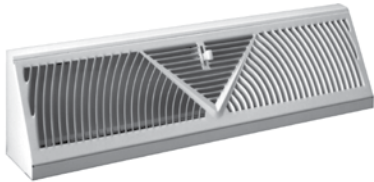


Model	Material	Damper
E315M	Aluminum	MS

## 350 BASEBOARD DIFFUSER



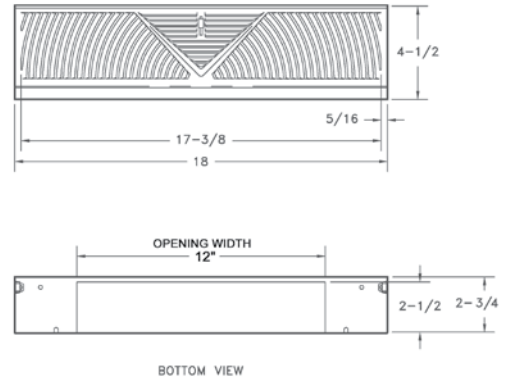
15" face



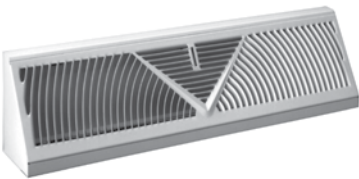
18" face

- Blankets wall or window area
- 15" & 18" lengths available
- Brown or Bright White enamel finish

Model	Material	Damper
350	Steel	Plate Damper

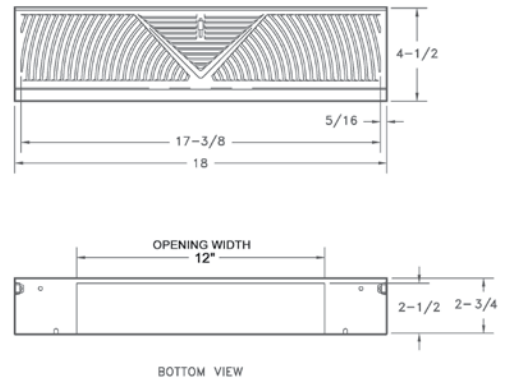


## 351 RETURN AIR GRILLE



- Complementary return air grille for Model 350 supply
- Brown or Bright White enamel finish

Model	Material	Damper
351	Steel	none

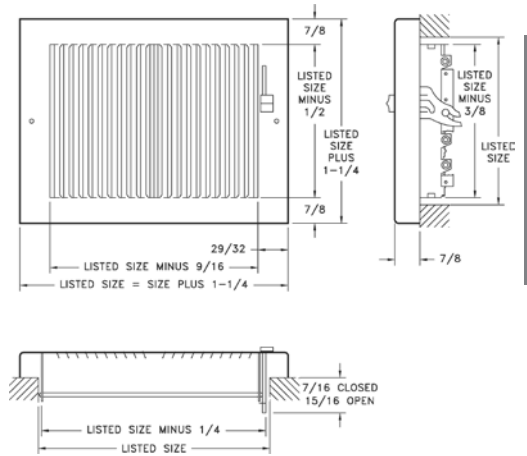


## 164 BASEBOARD REGISTER



- 1/3"-spaced fins set at 20 °s
- 7/8" margin turnback
- 1-5/8" depth when fully opened
- Exceptional free area
- Ideal for shallow duct installations
- Multi-shutter valve
- Bright White enamel finish

Model	Material	Damper
164	Steel	MS



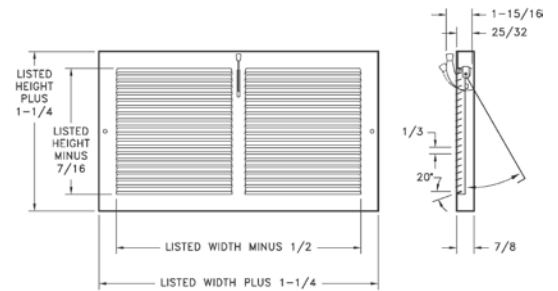
BASEBOARD REG/GRILLE

## 165 BASEBOARD REGISTER WITH DAMPER



- 1/3" spaced fins set at 20 °s
- 7/8" margin turnback
- Exceptional free area
- Positive volume-control damper
- Bright White enamel finish

Model	Material	Damper
165	Steel	Plate Damper

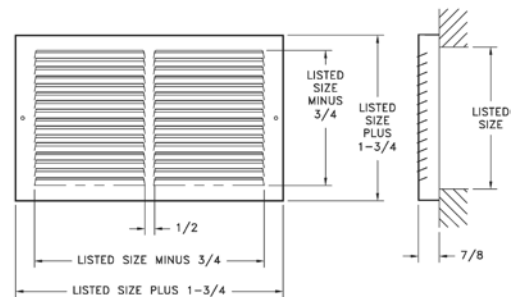


## 171 RETURN AIR GRILLE



- 1/2"-spaced fins set at 40 °s
- 7/8" margin turnback
- Complementary return air grille for 1/2"-spaced products
- Bright White enamel finish

Model	Material	Damper
171	Steel	none

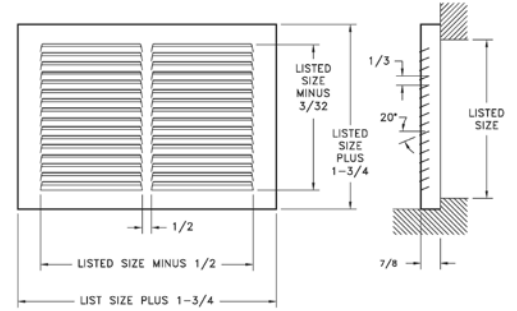


BASEBOARD REG/GRILLE

## 174 BASEBOARD RETURN AIR GRILLE



- 1/3" spaced fins set at 20 °s
- 7/8" margin turnback
- Exceptional free area
- Install with fins upward or downward for best duct concealment
- Complementary return air grille for Model 164 or 165 supply
- Brown or Bright White enamel finish

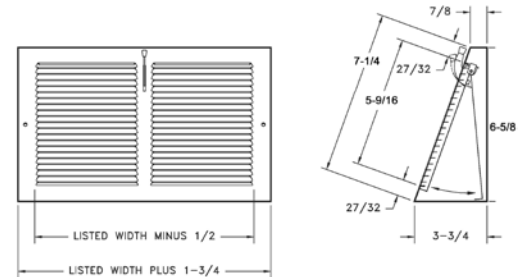


Model	Material	Damper
174	Steel	none

## 166 BASEBOARD REGISTER WITH DAMPER

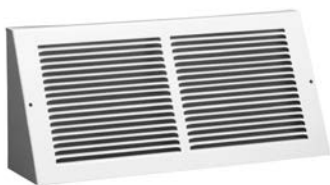


- 1/3" spaced fins set at 20 °s
- Volume-control damper
- Bright White enamel finish

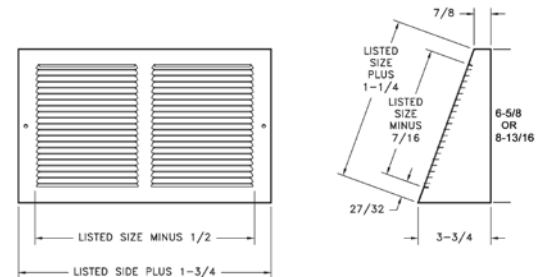


Model	Material	Damper
166	Steel	Plate Damper

## 176 BASEBOARD RETURN AIR GRILLE

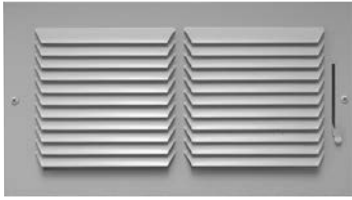


- 1/3" spaced fins set at 20 °s
- Complementary return air grille for Model 166 supply
- Bright White enamel finish



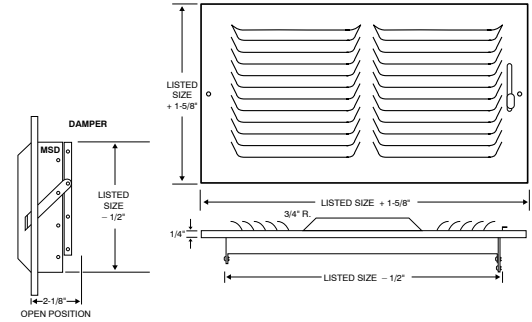
Model	Material	Damper
176	Steel	none

**501 SERIES**  
**ONE-WAY HORIZONTAL WITH MULTI-SHUTTER DAMPER**

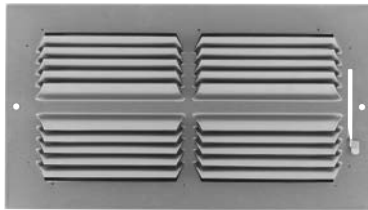


- One-way, horizontal, stamped curved blade
- 9/16" fin spacing
- Bright White enamel finish

Model	Material	Damper
501HM	Steel	MS
A501HM	Aluminum	MS

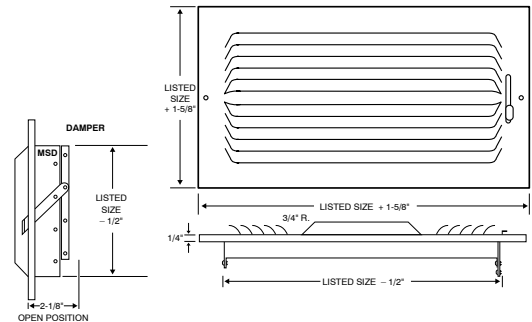


**502 SERIES**  
**TWO-WAY HORIZONTAL WITH MULTI-SHUTTER DAMPER**



- Two-way, horizontal, stamped curved blade
- 9/16" fin spacing
- Bright White enamel finish

Model	Material	Damper
502HM	Steel	MS

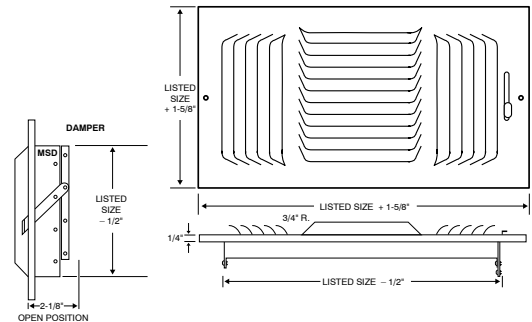


**503 SERIES**  
**THREE-WAY WITH MULTI-SHUTTER DAMPER**



- Three-way, stamped curved blade
- 9/16" fin spacing
- Bright White enamel finish

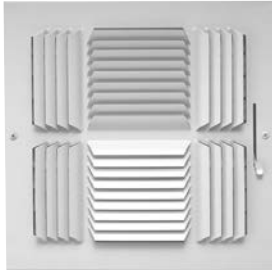
Model	Material	Damper
503M	Steel	MS
A503M	Aluminum	MS



SIDEWALL REG/GRILLE

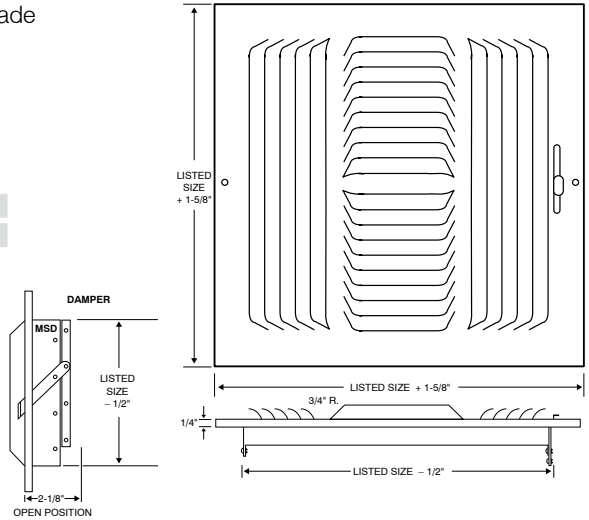


## 504 SERIES FOUR-WAY WITH MULTI-SHUTTER DAMPER



- Four-way, stamped curved blade
- 9/16" fin spacing
- Bright White enamel finish

Model	Material	Damper
504M	Steel	MS
A504M	Aluminum	MS



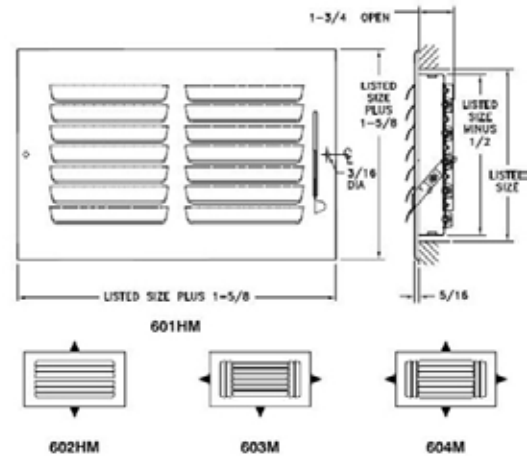
SIDEWALL REG/GRILLE

## 601 SERIES ONE-WAY HORIZONTAL WITH MULTI-SHUTTER DAMPER

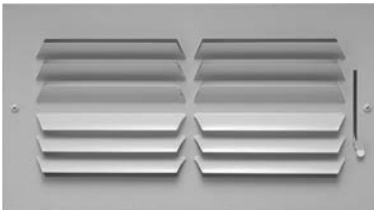


- One-way, horizontal, stamped curved blade
- 11/16" fin spacing
- Bright White enamel finish

Model	Material	Damper
601HM	Steel	MS
A601HM	Aluminum	MS

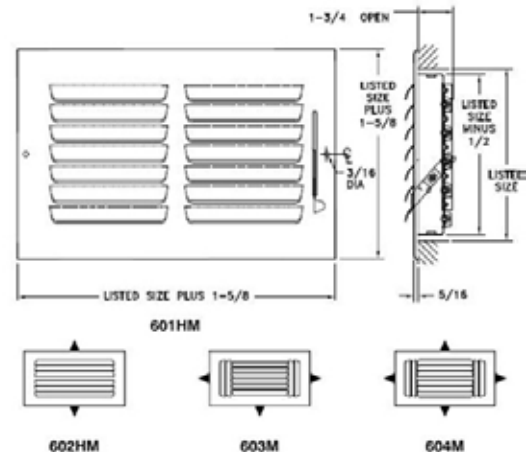


## 602 SERIES TWO-WAY HORIZONTAL WITH MULTI-SHUTTER DAMPER



- Two-way, horizontal, stamped curved blade
- 11/16" fin spacing
- Bright White enamel finish

Model	Material	Damper
602HM	Steel	MS

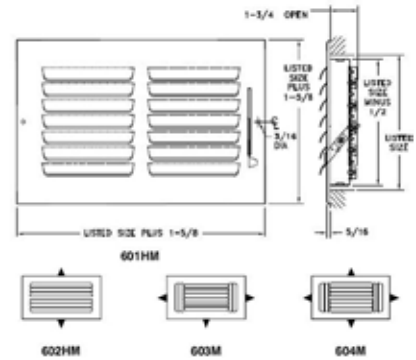


**603 SERIES**  
**THREE-WAY WITH MULTI-SHUTTER DAMPER**

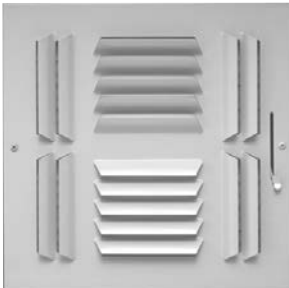


- Three-way, stamped curved blade
- 11/16" fin spacing
- Bright White enamel finish

Model	Material	Damper
603M	Steel	MS
A603M	Aluminum	MS

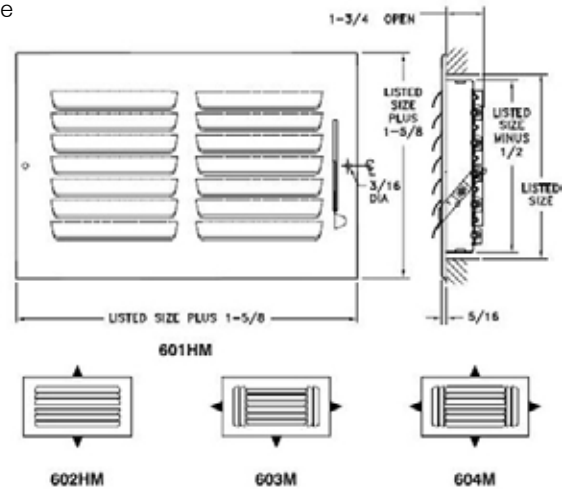


**604 SERIES**  
**FOUR-WAY WITH MULTI-SHUTTER DAMPER**

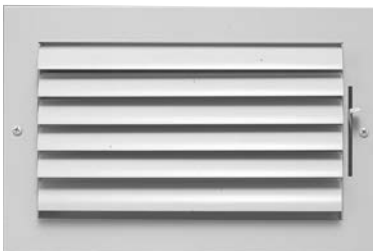


- Four-way, stamped curved blade
- 11/16" fin spacing
- Bright White enamel finish

Model	Material	Damper
604M	Steel	MS
A604M	Aluminum	MS

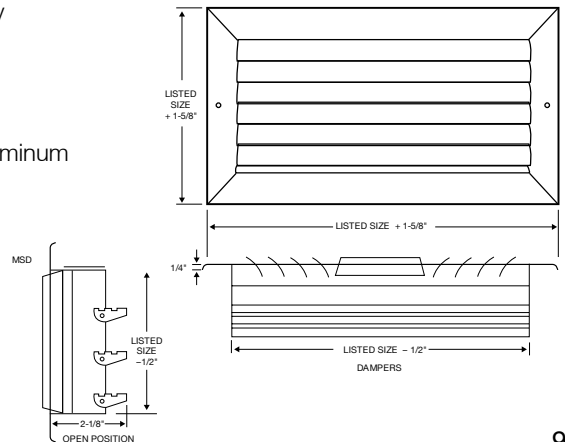


**401HM**  
**ONE-WAY, ADJUSTABLE CURVED BLADE**



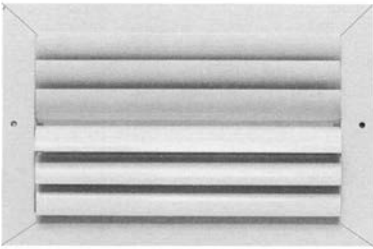
- One-way, horizontal, individually adjustable curved blade
- 3/4" fin spacing
- Bright White enamel finish
- Steel face and damper with aluminum curved blades

Model	Material	Damper
401HM	Steel/Aluminum	MS



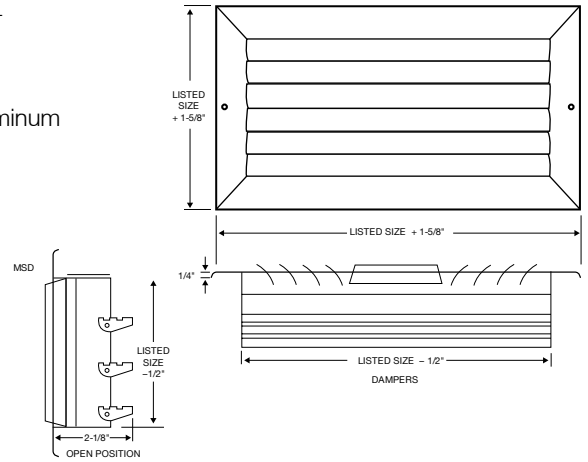
SIDEWALL REG/GRILLE

## 402HM TWO-WAY, ADJUSTABLE CURVED BLADE



- Two-way, horizontal, individually-adjustable curved blade
- 3/4" fin spacing
- Steel face and damper with aluminum curved blades
- Bright White enamel finish

Model	Material	Damper
402HM	Steel/Aluminum	MS



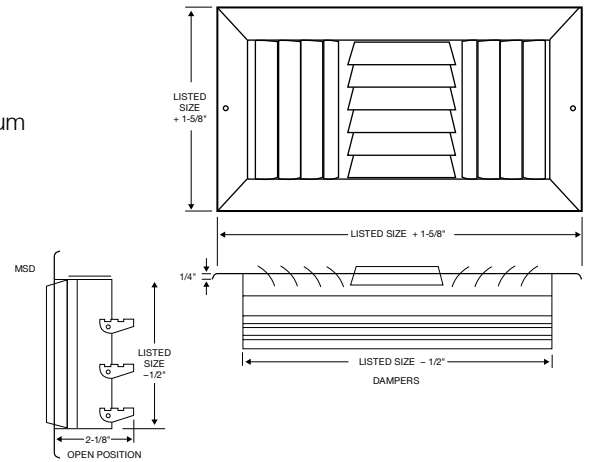
SIDEWALL REG/GRILLE

## 403M THREE-WAY, ADJUSTABLE CURVED BLADE



- Three-way, individually-adjustable curved blade
- 3/4" fin spacing
- Steel face and damper with aluminum curved blades
- Bright White enamel finish

Model	Material	Damper
403M	Steel/Aluminum	MS

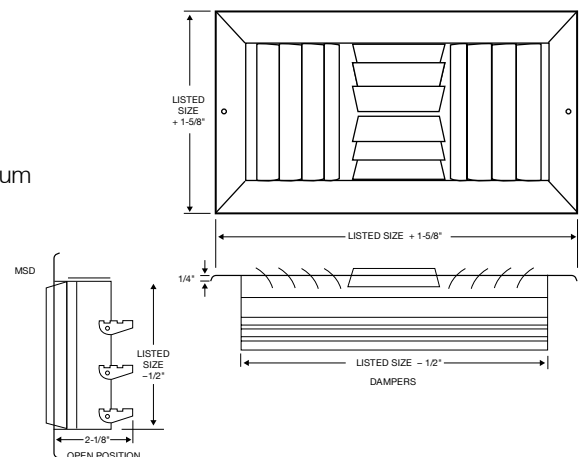


## 404M FOUR-WAY, ADJUSTABLE CURVED BLADE

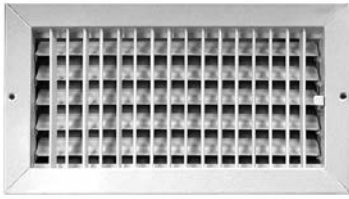


- Four-way, individually-adjustable curved blade
- 3/4" fin spacing
- Steel face and damper with aluminum curved blades
- Bright White enamel finish

Model	Material	Damper
404M	Steel/Aluminum	MS

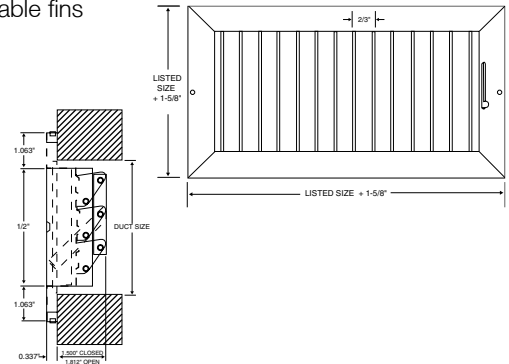


**A420 SERIES**  
**ONE-WAY VERTICAL WITH MULTI-SHUTTER DAMPER**



- One-way, vertical, individually-adjustable fins
- 3/4" fin spacing
- Multi-shutter Galvanized Steel
- Bright White enamel finish

Model	Material	Damper
A420VM	Aluminum/Steel	MS

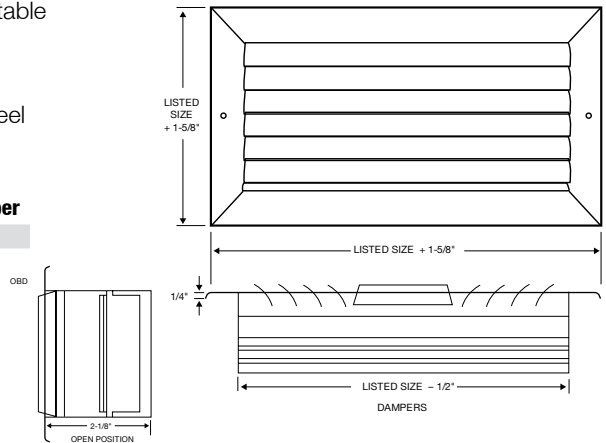


**A451 SERIES**  
**ONE-WAY, ALUMINUM, ADJUSTABLE CURVED BLADE**

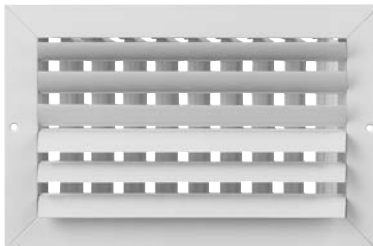


- One-way, individually-adjustable curved blade
- Mitered corner frame
- Multi-shutter Galvanized Steel
- Bright White enamel finish

Model	Material	Damper
A451HM	Aluminum/Steel	MS

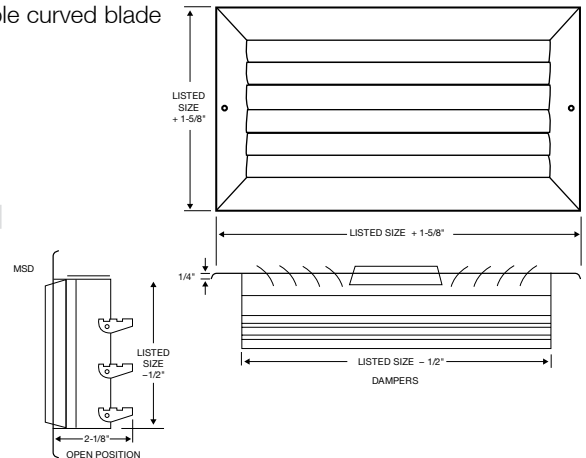


**A452 SERIES**  
**TWO-WAY, ALUMINUM, ADJUSTABLE CURVED BLADE**



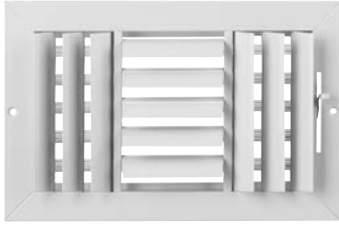
- Two-way, individually-adjustable curved blade
- Mitered corner frame
- Multi-shutter Galvanized Steel
- Bright White enamel finish

Model	Material	Damper
A452HM	Aluminum/Steel	MS



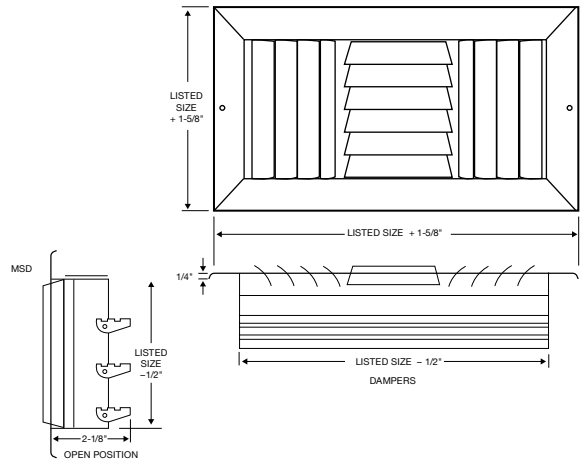
SIDEWALL REG/GRILLE

## A453 SERIES THREE-WAY, ALUMINUM, ADJUSTABLE CURVED BLADE



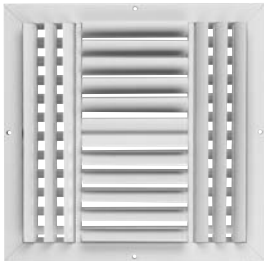
- Three-way, individually-adjustable, curved blade
- Mitered corner frame
- Multi-shutter Galvanized Steel
- Bright White enamel finish

Model	Material	Damper
A453M	Aluminum/Steel	MS



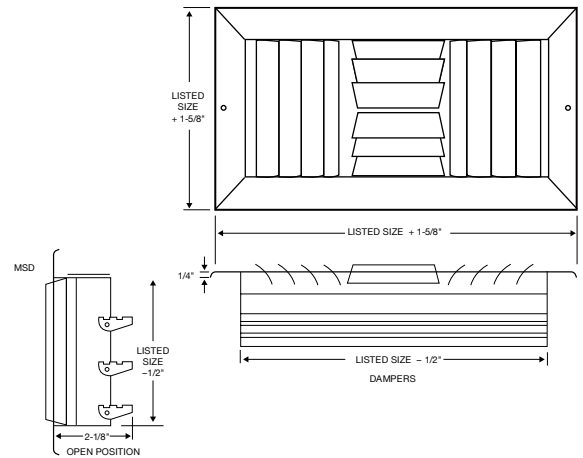
SIDEWALL REG/GRILLE

## A454 SERIES FOUR-WAY, ALUMINUM, ADJUSTABLE CURVED BLADE

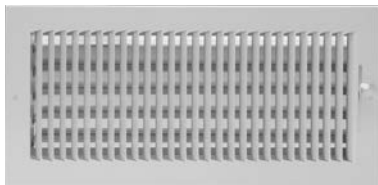


- Four-way, individually-adjustable curved blade
- Mitered corner frame
- Multi-shutter Galvanized Steel
- Bright White enamel finish

Model	Material	Damper
A454M	Aluminum/Steel	MS

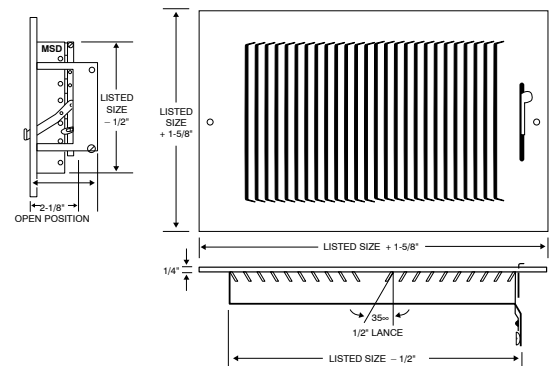


## 180 SERIES ONE-WAY 1/2" LANCED

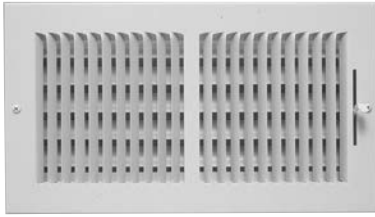


- One-way deflection
- 1/2" fin spacing
- Bright White enamel finish

Model	Material	Damper
180L	Steel-left throw	MS
180R	Steel-right throw	MS

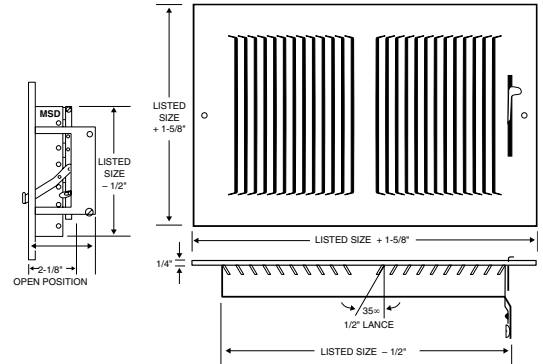


## 160 SERIES TWO-WAY 1/2" LANCED



- Two-way deflection
- 1/2" fin spacing
- Bright White enamel finish

Model	Material	Damper
160	Steel	MS
A160	Aluminum	MS

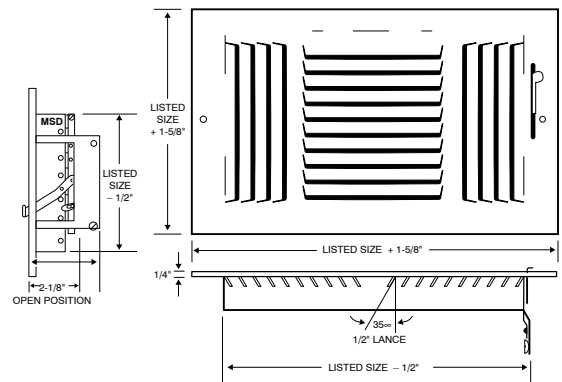


## 140 SERIES THREE-WAY 1/2" LANCED

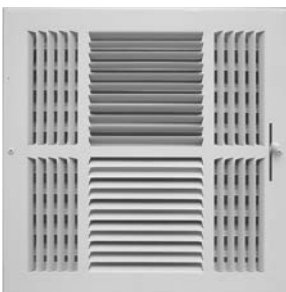


- Three-way deflection
- 1/2" fin spacing
- Bright White enamel finish

Model	Material	Damper
140	Steel	MS
A140	Aluminum	MS
140FL	Steel w/ fusible link	MS

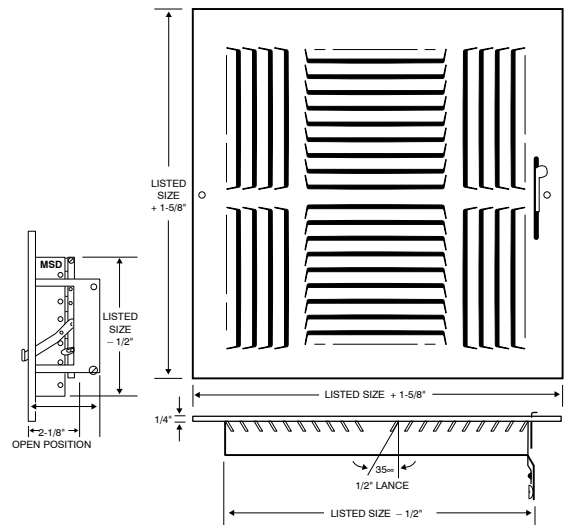


## 190 SERIES FOUR-WAY 1/2" LANCED



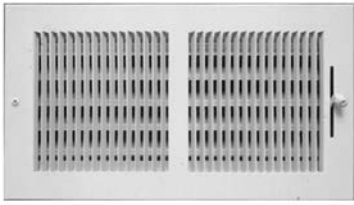
- Four-way deflection
- 1/2" fin spacing
- Bright White enamel finish

Model	Material	Damper
190	Steel	MS
A190	Aluminum	MS
190FL	Steel w/ fusible link	MS



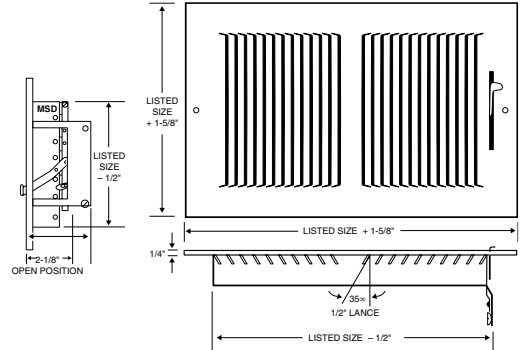


## 163 SERIES TWO-WAY 1/3" LANCED

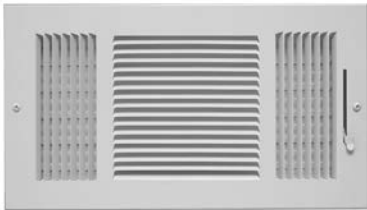


- Two-way deflection
- 1/3" fin spacing
- Bright White enamel finish

Model	Material	Damper
163	Steel	MS
A163	Aluminum	MS

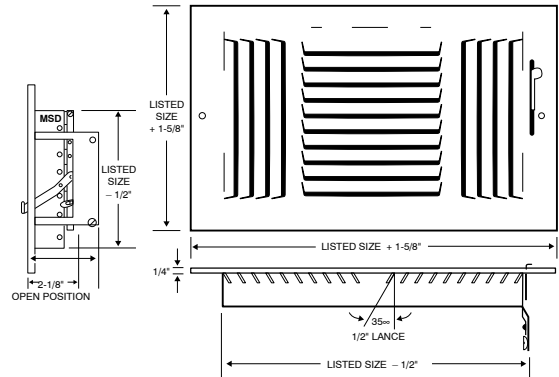


## 143 THREE-WAY 1/3" REGISTER



- Three-way deflection
- 1/3" fin spacing
- Bright White enamel finish

Model	Material	Damper
143	Steel	MS

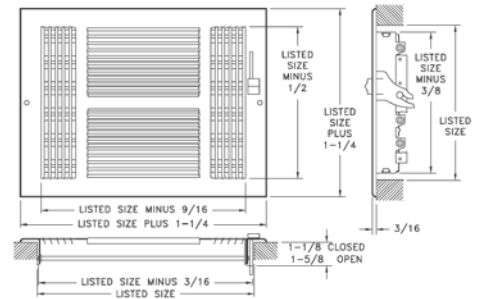


## 193 FOUR-WAY 1/3" REGISTER



- For heating or cooling
- Ideal for shallow duct installations
- Used for ceiling or sidewall installations
- Four-way deflection
- 1/3" spaced fins set at 20 °s
- Multi-shutter valve
- 1-5/8" depth when fully opened
- Interlocking valve louvers for positive shut-off
- Bright White finish

Model	Material	Damper
193	Steel	MS

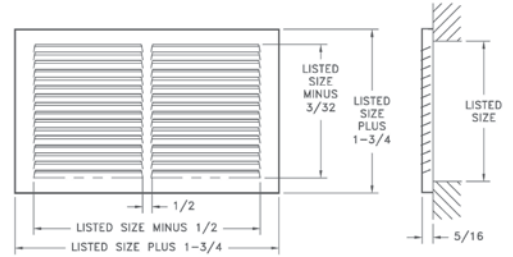


## 170 SERIES RETURN AIR GRILLE



- 1/2" spaced fins set at 40 °s
- Exceptional free area
- 5/16" Margin Turnback
- Bright White finish

Model	Material	Damper
170	Steel	none
A170	Aluminum	none

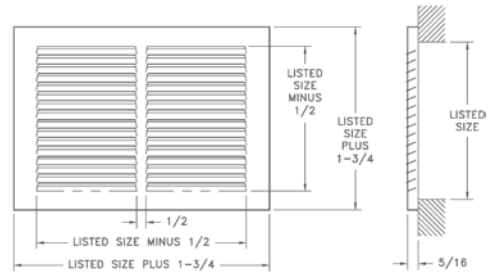


## 173 RETURN AIR GRILLE



- 1/3" spaced fins set at 20 °s
- Exceptional free area
- 5/16" Margin Turnback
- Bright White finish

Model	Material	Damper
173	Steel	none



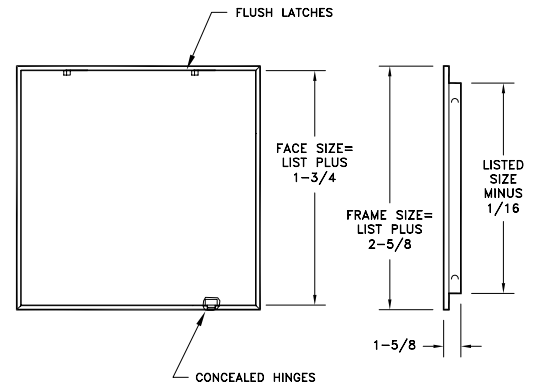
SIDEWALL REG/GRILLE

## AAD ACCESS DOOR



- All Steel Construction
- Flush, removable face with concealed latches and hinges
- 22 gauge face, 24 gauge frame
- Bright White finish
- Available in sizes: 6x6, 8x8, 10x10, 12x12, 14x14, 16x16, 24x24

Model	Material	Damper
AAD	Steel	none

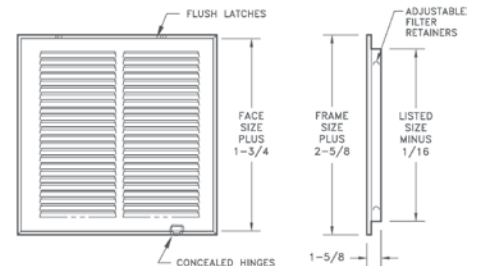


## 170FF SERIES RETURN AIR FILTER GRILLE



- 1/2" spaced fins set at 40 °s
- Effectively conceals filter
- Use standard 1" thick disposable filters
- Removable face for easy installation and cleaning
- Equipped with adjustable filter retainers
- Bright White finish

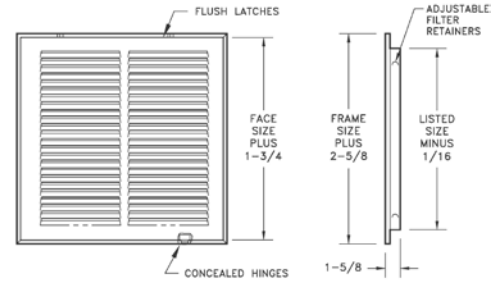
Model	Material	Damper
170FF	Steel	none
A170FF	Aluminum	none



## 170FIL RETURN AIR FILTER GRILLE W/ FILTER



- 1/2" spaced fins set at 40 °s
- Effectively conceals filter
- Use standard 1" thick disposable filters Included
- Removable face for easy installation and cleaning
- Equipped with adjustable filter retainers
- Bright White finish



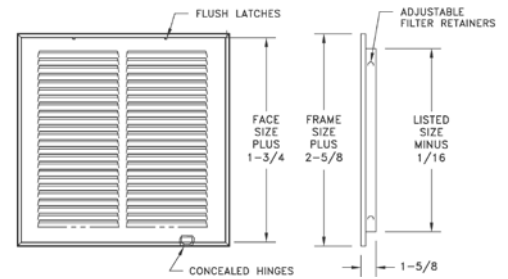
Model	Material	Damper
170FIL	Steel – Filter included	none

RETURN AIR GRILLE

## 173FF RETURN AIR FILTER GRILLE



- 1/3" spaced fins set at 20 °s
- Effectively conceals filter
- Use standard 1" thick disposable filters (Not included)
- Removable face for easy installation and cleaning
- Equipped with adjustable filter retainers
- Bright White finish

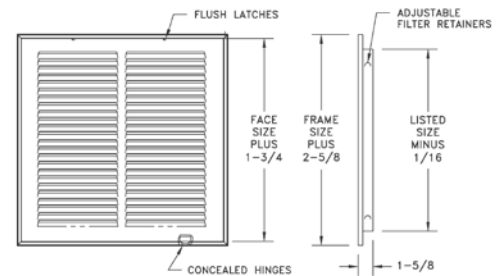


Model	Material	Damper
173FF	Steel	none

## 173FIL RETURN AIR FILTER GRILLE W/ FILTER



- 1/3" spaced fins set at 20 °s
- Effectively conceals filter
- Use standard 1" thick disposable filters (Included)
- Removable face for easy installation and cleaning
- Equipped with adjustable filter retainers
- Bright White finish



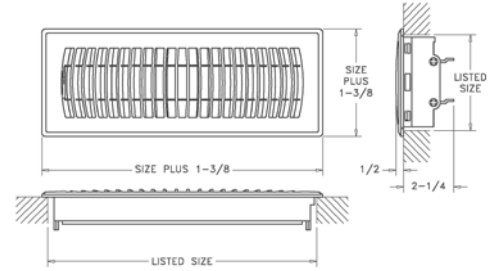
Model	Material	Damper
173FIL	Steel – Filter included	none

## REZZIN FLOOR DIFFUSER



- Solid ABS construction for floor use
- Multi-angled fins for fan pattern of air distribution
- Foot-operated, opposed-blade damper
- Bright White or Brown finish

Model	Material	Damper
RZ-Floor	Polymer	OBD

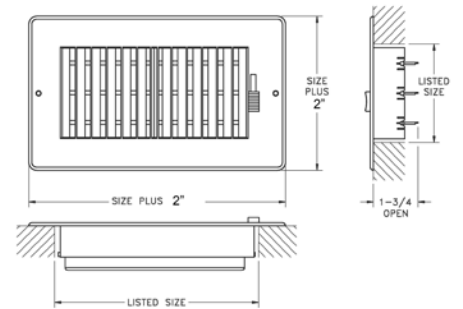


## 2-WAY REZZIN SIDEWALL/ CEILING REGISTER



- Two-way deflection
- Traditional styling
- Integral multi-shutter damper with easy-to-use damper handle
- For heating or cooling applications
- Bright White finish

Model	Material	Damper
2-Way	Polymer	MS



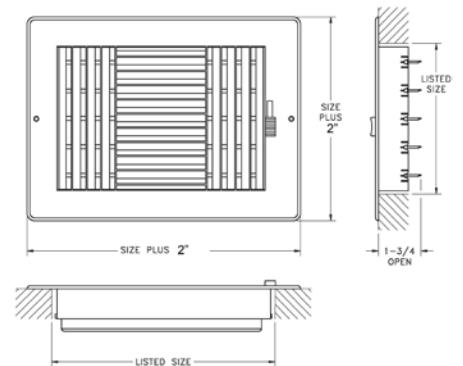
RETURN AIR GRILLE

## 3-WAY REZZIN SIDEWALL/ CEILING REGISTER



- Three-way deflection
- Traditional styling
- Integral multi-shutter damper with easy-to-use damper handle
- For heating or cooling applications
- Bright White finish

Model	Material	Damper
3-Way	Polymer	MS

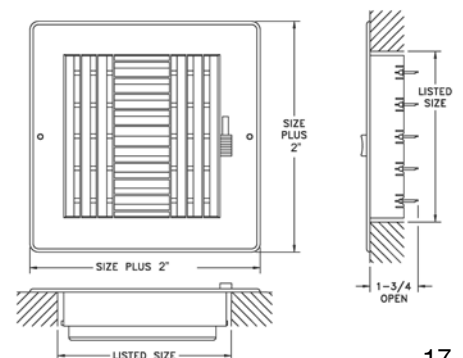


## 4-WAY REZZIN SIDEWALL/ CEILING REGISTER

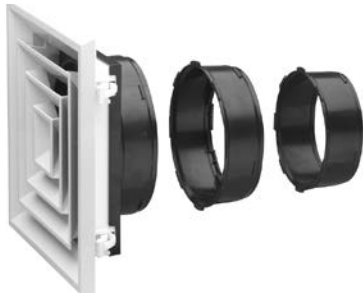


- Four-way deflection
- Traditional styling
- Integral multi-shutter damper with easy-to-use damper handle
- For heating or cooling applications
- Bright White finish

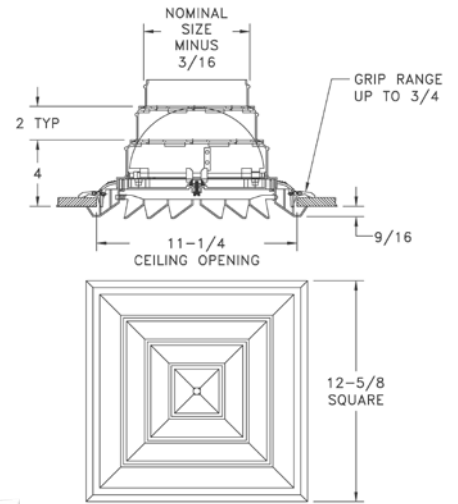
Model	Material	Damper
4-Way	Polymer	MS



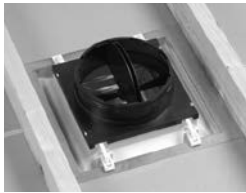
## REZZIN SQUARE CEILING DIFFUSER



- 12"x12" face
- 6", 7" and 8" collars included
- Ratcheting cam lock—install without screws
- Removable core and integral damper
- Available in 4-way, 3-way and 2-way corner
- Contains metal parts
- Bright White finish



Model	Material	Damper
3-Way	Polymer	Butterfly
4-Way	Polymer	Butterfly
2-Way Corner	Polymer	Butterfly



T-Bar Backer Plate or Rafter  
Rough-In Plate Available



3-Way

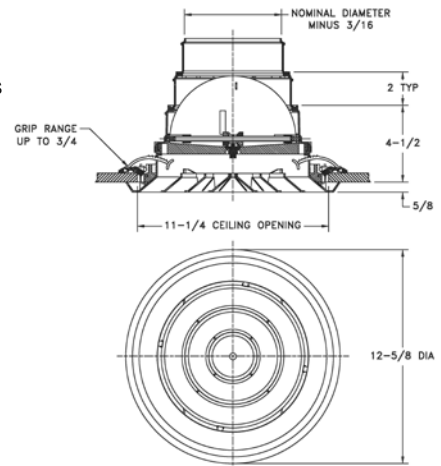
4-Way

2-Way Corner

## REZZIN ROUND CEILING DIFFUSER



- 12" round face
- 6", 7" and 8" collars included
- Ratcheting cam lock—install without screws
- Removable core and integral damper
- Contains metal parts
- Bright White finish



Model	Material	Damper
RZ-Round	Polymer	Butterfly



T-Bar Backer Plate or Rafter  
Rough-In Plate Available

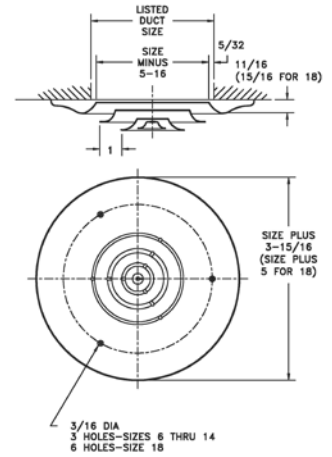


## 800 SERIES CEILING DIFFUSER



- Step-down diffuser rings deflect air stream 360 °s
- Aluminum or Bright White finish

Model	Material	Damper
800	Steel	none
A800	Aluminum	none

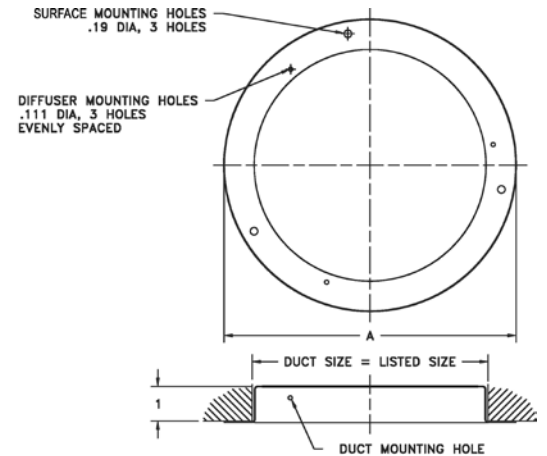


## 800R DUCT RING



- For installation of 800 Series diffuser when not using a damper
- Brown enamel finish

Model	Material	Damper
800R	Steel	-

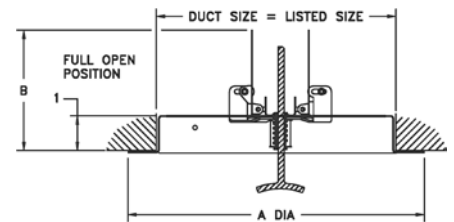


## 800D BUTTERFLY DAMPER



- Controls air volume evenly over entire 800 Series diffuser
- Removable knob operator for adjustment from closed to fully open
- Brown enamel finish

Model	Material	Damper
800D	Steel	is a damper



**Note:** Knob permits diffuser to be held in position while attaching face screws.

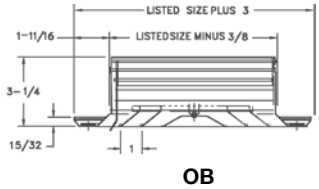
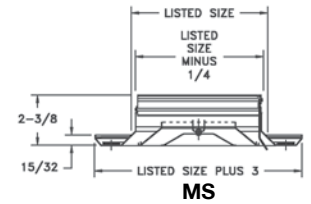


## A1001 SERIES ONE-WAY, SQUARE CEILING DIFFUSER



- Cores flush with margin
- One-way air diffusion
- Face mount for easy installation
- Multi-shutter or opposed-blade dampers - aluminum
- Inconspicuous fingertip lever for air volume control
- Bright White finish

Model	Material	Damper
A1001MS	Aluminum	MS
A1001OB	Aluminum	OBD

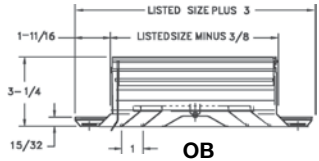
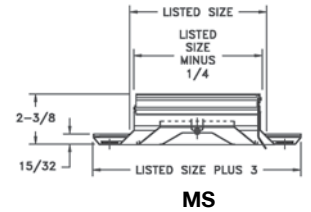


## A1002 SERIES TWO-WAY, SQUARE CEILING DIFFUSER



- Cores flush with margin
- Two-way air diffusion
- Face mount for easy installation
- Multi-shutter or opposed-blade dampers - aluminum
- Inconspicuous fingertip lever for air volume control
- Bright White finish

Model	Material	Damper
A1002MS	Aluminum	MS
A1002OB	Aluminum	OBD

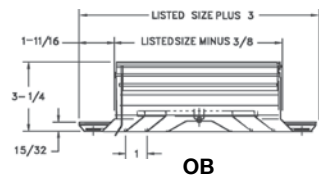
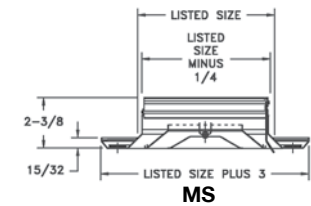


## A1003 SERIES THREE-WAY, SQUARE CEILING DIFFUSER



- Cores flush with margin
- Three-way air diffusion
- Face mount for easy installation
- Multi-shutter or opposed-blade dampers - aluminum
- Inconspicuous fingertip lever for air volume control
- Bright White finish

Model	Material	Damper
A1003MS	Aluminum	MS
A1003OB	Aluminum	OBD

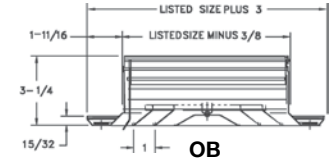
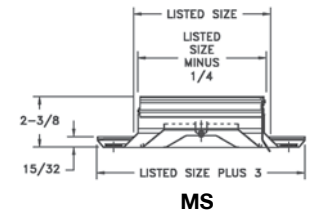


## A1004 SERIES FOUR-WAY, SQUARE CEILING DIFFUSER



- Cores flush with margin
- Four-way air diffusion
- Face mount for easy installation
- Multi-shutter or opposed-blade dampers - aluminum
- Inconspicuous fingertip lever for air volume control
- Bright White finish

Model	Material	Damper
A1004MS	Aluminum	MS
A1004OB	Aluminum	OBD

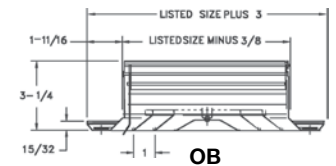
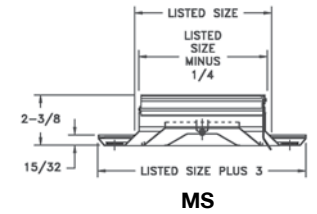


## A1005 SERIES TWO-WAY CORNER, SQUARE CEILING DIFFUSER



- Cores flush with margin
- Two-way corner air diffusion
- Face mount for easy installation
- Multi-shutter or opposed-blade dampers - aluminum
- Inconspicuous fingertip lever for air volume control
- Bright White finish

Model	Material	Damper
A1005MS	Aluminum	MS
A1005OB	Aluminum	OBD

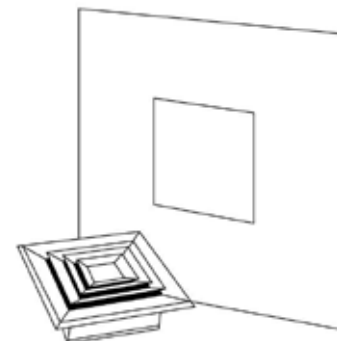


## TB1000P T BAR PANEL FOR DIFFUSERS



- Diffuser field installed
- Works with A1000 series models
- Bright White finish

Model	Material	Damper
TB1000P	Steel	none

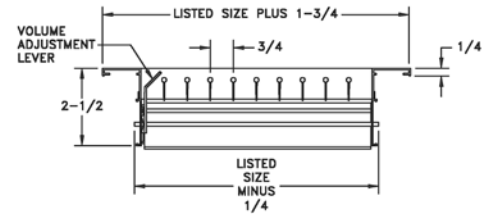


CEILING DIFFUSERS

## E1250 ALUMINUM EVAPORATIVE COOLER



- Integral, opposed-blade damper with lever for face operation
- Center mullions provided on sizes over 18" x 18"
- All extruded aluminum construction
- Furnished with mounting screws and optional gasket
- Adjustable bars
- Bright White finish

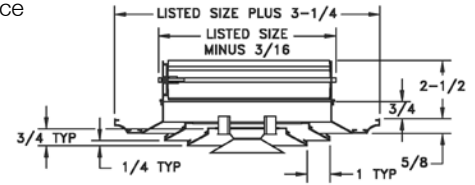


Model	Material	Damper
E1250	Extruded Alum	OBD

## E2030 SERIES ALUMINUM STEP DOWN DIFFUSER



- Annular rings to provide minimum resistance
- Face only on E2030
- Opposed-blade aluminum damper available with E2030O
- Bright White finish



Model	Material	Damper
E2030	Extruded Alum	none
E2030O	Extruded Alum	OBD

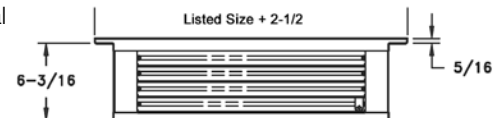
Note: E2030O in size 20" x 20" is furnished with two separate dampers and operators.

## 1100 4-WAY CEILING DIFFUSER BOX

CEILING DIFFUSERS



- Adjustable dampers provide directional airflow or closure capabilities
- Mounting holes provided for easy installation
- Heavy-duty steel construction
- Bright White finish



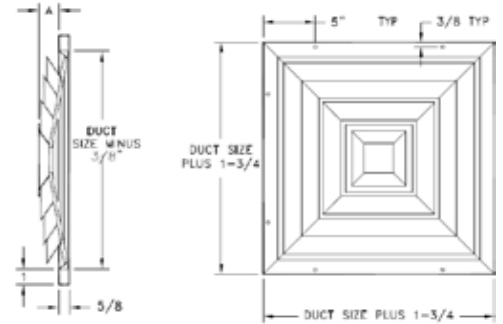
Model	Material	Damper
1100	Steel	Adjustable

## 1010 SERIES EVAPORATIVE CEILING DIFFUSER



- 1010 - no center core
- 1010 CB - with center core
- Bright White finish

Model	Material	Damper
1010	Steel	none

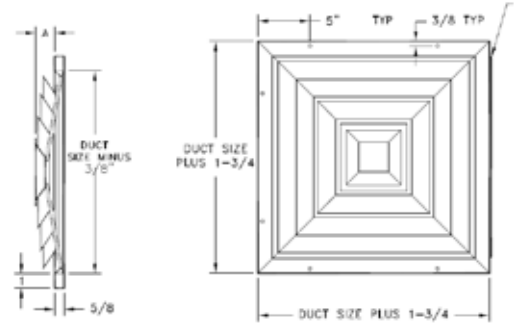


## 1020 SERIES EVAPORATIVE CEILING DIFFUSER

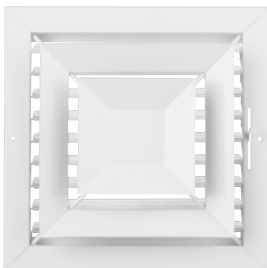


- 1020 - no center core
- 1020 CB - with center core
- Has a slide damper.
- Bright White finish

Model	Material	Damper
1020	Steel	Slide

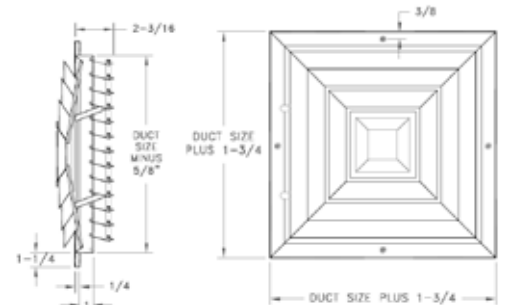


## 1030 SERIES EVAPORATIVE CEILING DIFFUSER



- 1030 - no center core
- 1030 CB - with center core
- Has a multi-shutter damper.
- Bright White finish

Model	Material	Damper
1030	Steel	MS

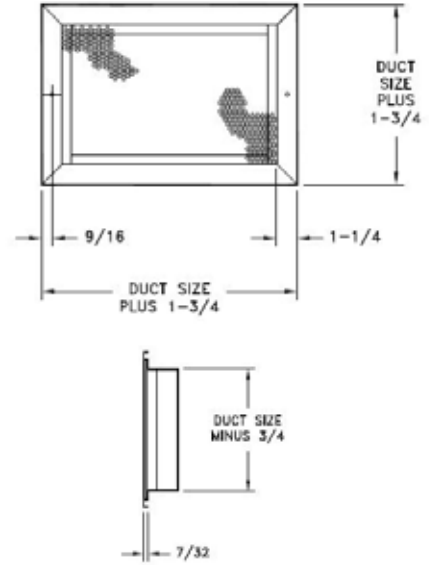


## 740 SERIES PERFORATED FACE GRILLE

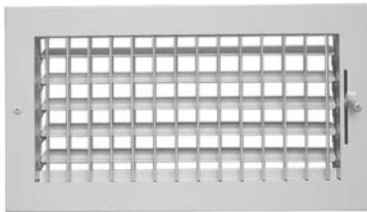


- Perforated face
- Optional T-Bar lay-in frames - 740FP
- Bright White finish

Model	Material	Damper
740	Steel	none
740O	Steel	OBD

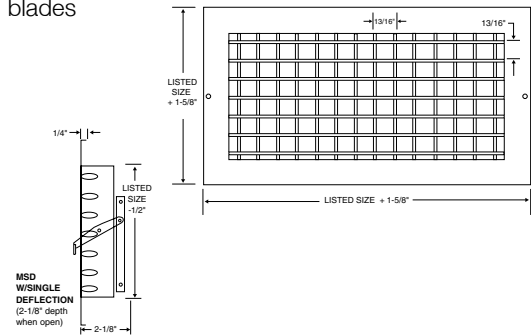


## 220 SERIES SINGLE DEFLECTION REGISTER

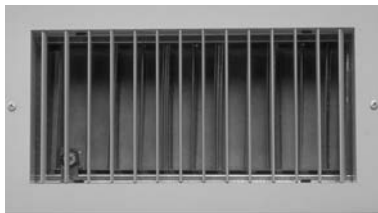


- Single deflection, adjustable, air foil blades
- Bright White finish

Model	Material	Damper
220V	Steel	MS
220H	Steel	MS

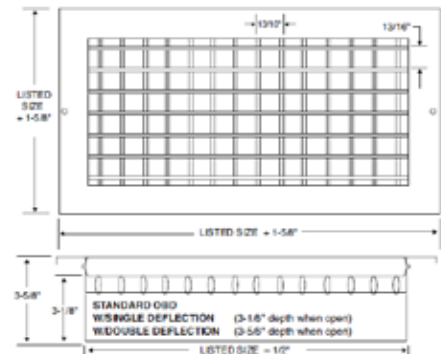


## 200VO SINGLE DEFLECTION REGISTER W/ OBD

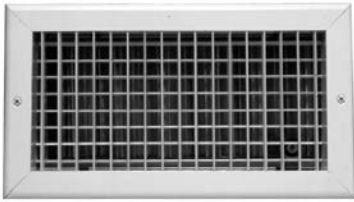


- Steel face, with aluminum air foil blades
- Galvanized Steel Opposed Blade Damper
- Can be ordered without the Damper, order as 200V
- Bright White finish

Model	Material	Damper
200VO	Steel	OBD

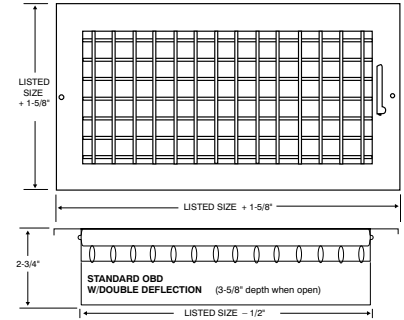


**240 SERIES**  
**DOUBLE DEFLECTION REGISTER**

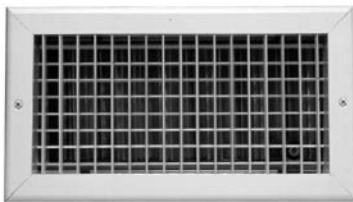


- Double deflection, adjustable, air foil blades
- Bright White finish
- 240V denotes vertical front, horizontal rear
- 240H denotes horizontal front, vertical rear

Model	Material	Damper
240V	Steel	none
240H	Steel	none

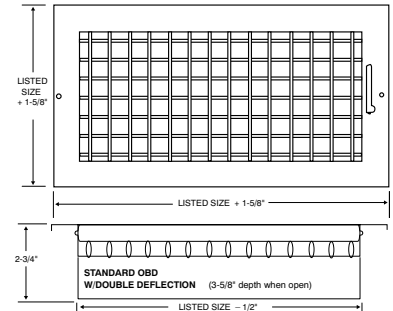


**240O SERIES**  
**DOUBLE DEFLECTION REGISTER W/ OBD**



- Double deflection, adjustable, air foil blades
- Bright White finish
- 240VO denotes vertical front, horizontal rear
- 240HO denotes horizontal front, vertical rear

Model	Material	Damper
240VO	Steel	OBD
240HO	Steel	OBD

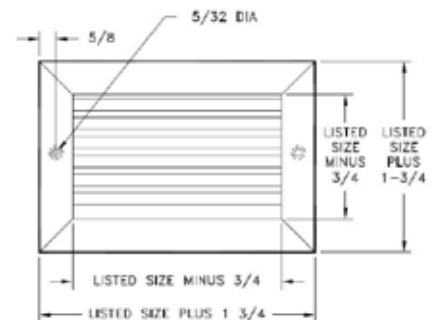


**280**  
**FIXED BLADE RETURN AIR GRILLE**



- 3/4" horizontally spaced fins set at 35°
- Larger sizes available in multiple-piece construction
- Bright White finish

Model	Material	Damper
280	Steel	none

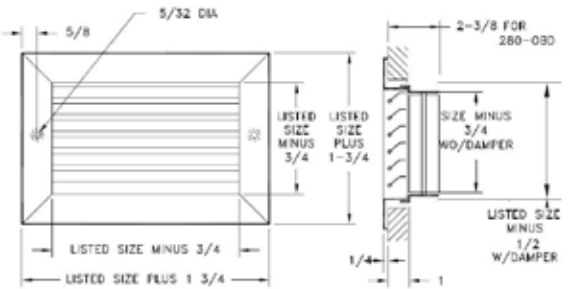




**280OB**  
**FIXED BLADE REGISTER W/ OBD**

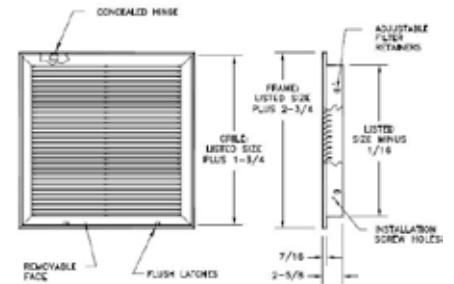

- 3/4" horizontally spaced fins set at 35°
- Larger sizes available in multiple-piece construction
- Galvanized steel opposed blade damper
- Bright White finish

Model	Material	Damper
280OB	Steel	OBD

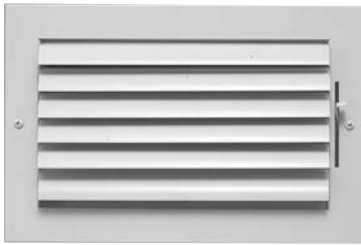

**280FF**  
**FIXED-BAR FILTER GRILLE**


- Simplifies contractor installation
- Flush, removable face with concealed hinges
- Uses nominal 1" thick disposable filters (not included)
- Equipped with adjustable filter retainers
- 3/4" spaced fins set at 35°
- Also available as TB280FF for T-Bar applications
- Bright White or painted aluminum finish

Model	Material	Damper
280FF	Steel	none

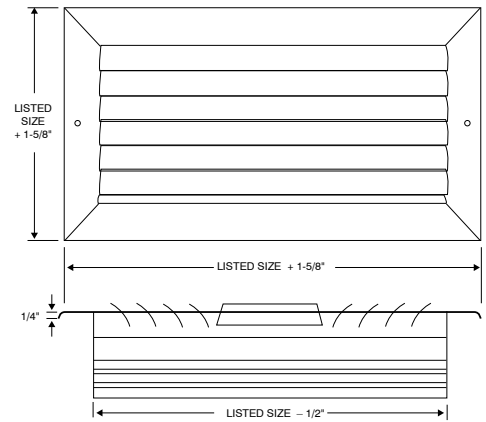


**E401H SERIES**  
**ONE-WAY ADJUSTABLE CURVED BLADE**

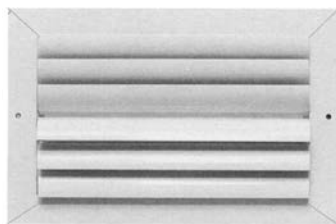


- One-way, horizontal, individually-adjustable curved blade
- Mitered corner frame
- Bright White finish

Model	Material	Damper
E401H	Extruded Alum	none
E401HM	Extruded Alum	MS
E401HO	Extruded Alum	OBD

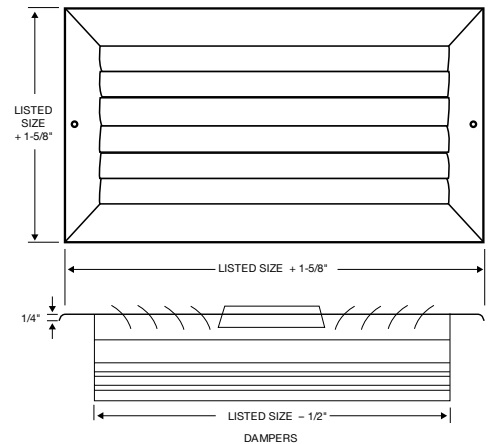


**E402H SERIES**  
**TWO-WAY, ADJUSTABLE CURVED BLADE**

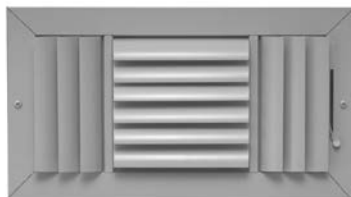


- Two-way, horizontal individually-adjustable curved blade
- Mitered corner frame
- Bright White finish

Model	Material	Damper
E402H	Extruded Alum	none
E402HM	Extruded Alum	MS
E402HO	Extruded Alum	OBD

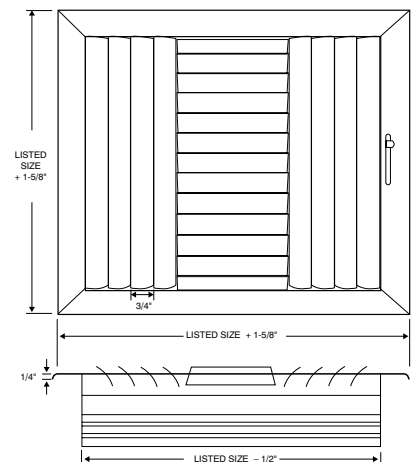


**E403 SERIES**  
**THREE-WAY, ADJUSTABLE CURVED BLADE**



- Three-way, individually-adjustable curved blade
- Mitered corner frame
- Bright White finish

Model	Material	Damper
E403	Extruded Alum	none
E403M	Extruded Alum	MS
E403 O	Extruded Alum	OBD



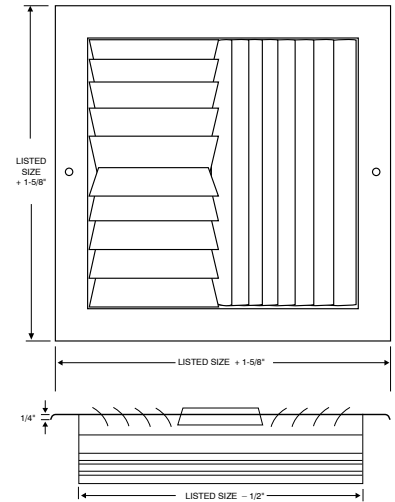
## E4033 SERIES

### THREE-WAY CORNER, ADJUSTABLE CURVED BLADE



- Three-way corner, individually-adjustable curved blade
- Mitered corner frame
- Bright White finish

Model	Material	Damper
E4033	Extruded Alum	none
E4033M	Extruded Alum	MS



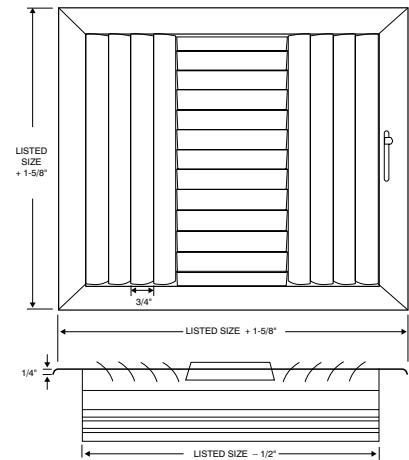
## E404 SERIES

### FOUR-WAY, ADJUSTABLE CURVED BLADE



- Four-way, individually-adjustable curved blade
- Mitered corner frame
- Bright White finish

Model	Material	Damper
E404	Extruded Alum	none
E404M	Extruded Alum	MS
E404O	Extruded Alum	OBD



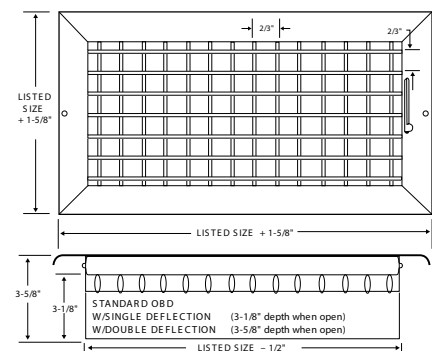
## E200H SERIES

### HORIZONTAL DEFLECTION REGISTER

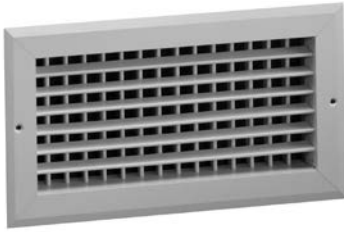


- Single deflection, horizontal, adjustable air foil blades
- Bright White or painted aluminum finish

Model	Material	Damper
E200H	Extruded Alum	none
E200HM	Extruded Alum	MS
E200HO	Extruded Alum	OBD

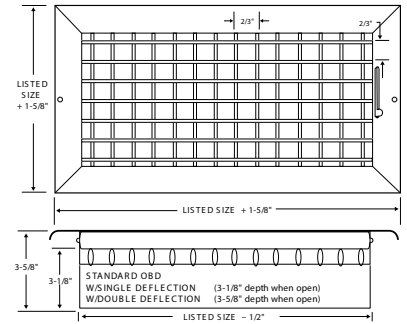


**E240H SERIES**  
**DOUBLE DEFLECTION REGISTER**



- Double deflection, adjustable air foil blades, horizontal front, vertical back
- Bright White or painted aluminum finish

Model	Material	Damper
E240H	Extruded Alum	none
E240HO	Extruded Alum	OBD

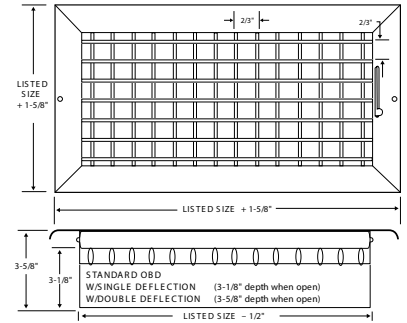


**E200V SERIES**  
**VERTICAL DEFLECTION REGISTER**

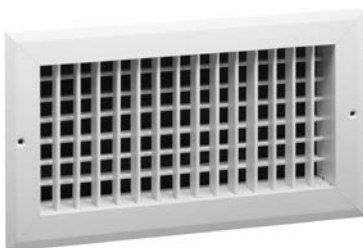


- Single deflection, vertical, adjustable face bars
- Pivoted bars for easy positive setting
- Bright White or painted aluminum finish

Model	Material	Damper
E200V	Extruded Alum	none
E200VM	Extruded Alum	MS
E200VO	Extruded Alum	OBD

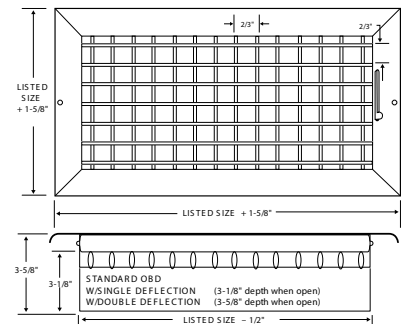


**E240V SERIES**  
**DOUBLE DEFLECTION REGISTER**



- Double deflection, adjustable air foil blades, horizontal front, vertical back
- Bright White or painted aluminum finish

Model	Material	Damper
E240V	Extruded Alum	none
E240VO	Extruded Alum	OBD

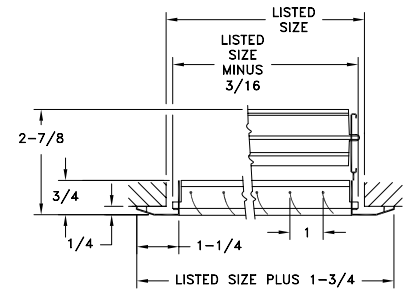


## E275 FIXED CURVED BLADE GRILLE



- Curved blades fixed on one-inch spacing
- Bright White or Satin Anodized finish

Model	Material	Damper
E275	Extruded Alum	none

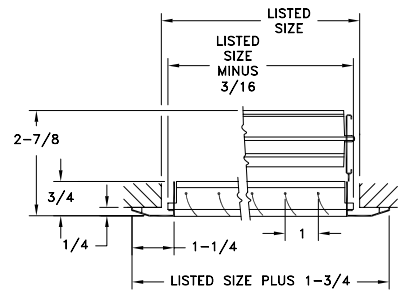


## E275O FIXED CURVED BLADE GRILLE W/ OBD



- Curved blades fixed on one-inch spacing
- Bright White or Satin Anodized finish

Model	Material	Damper
E275O	Extruded Alum	OBD

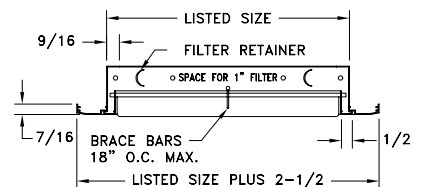


## E275FF FIXED CURVED BLADE FILTER GRILLE



- Fixed, horizontal curved blades
- Hinged on bottom edge, removable face
- Accommodates standard 1" thick disposable filter (not included)
- Filter grilles equipped with plastic slide latch
- Bright White or Satin Anodized finish

Model	Material	Damper
E275FF	Extruded Alum	none

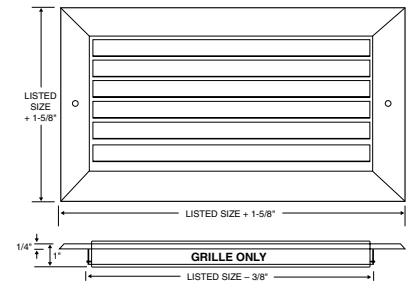


**E280**  
FIXED BLADE RETURN AIR GRILLE



- Fixed blades fixed at 45° deflection
- E280-4 hole has four holes, one each, centered on each side
- Blades 3/4" spacing
- Bright White or painted aluminum finish

Model	Material	Damper
E280	Extruded Alum	none
E280-4	Extruded Alum	none

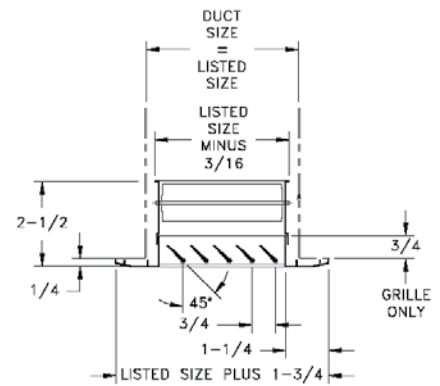


**E280O**  
FIXED BLADE REGISTER W/ OBD



- Horizontal bars at 45°
- Face bars permanently fixed into heavy aluminum frames at a 45° angle
- Bright White or Satin Anodized finish

Model	Material	Damper
E280O	Extruded Alum	OBD

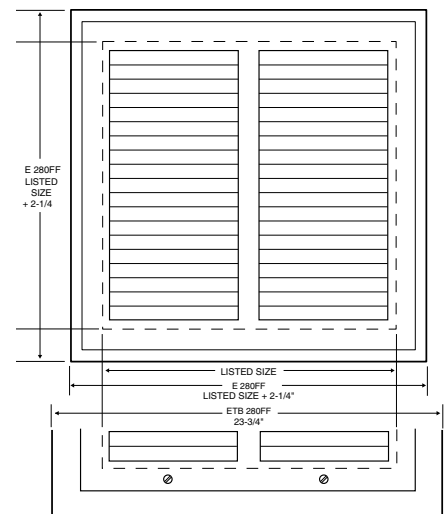


**E280FF**  
FIXED BAR FILTER GRILLE



- Fixed blades at 45° deflection
- 3/4" blade spacing
- Uses standard 1" filter (not included)
- Hinged face fits flush into frame. (not removable)
- Thumbscrew latch
- Bright White or painted aluminum finish

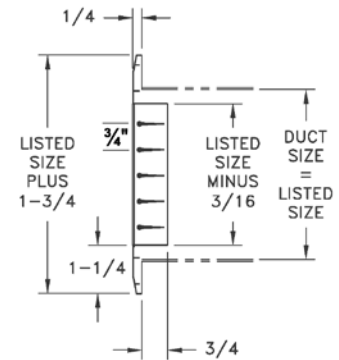
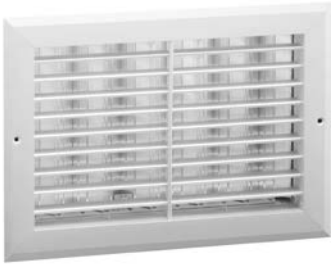
Model	Material	Damper
E280FF	Extruded Alum	none



**E290**  
**FIXED BLADE RETURN AIR GRILLE**

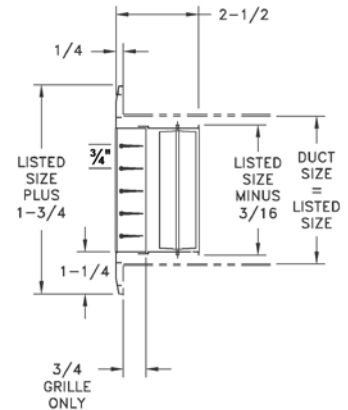

- Face bars permanently fixed into heavy aluminum frames at a 90° angle from face
- Bright White or Satin Anodized finish

Model	Material	Damper
E290	Extruded Alum	none


**E290O**  
**FIXED BLADE REGISTER W/ OBD**


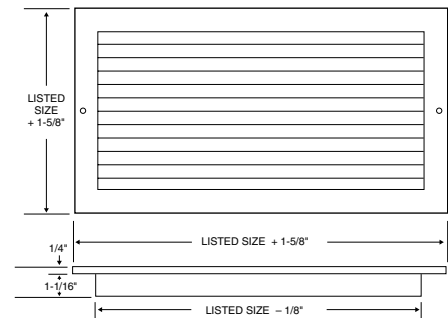
- Face bars permanently fixed into heavy frames at a 90° angle from face
- Bright White or Satin Anodized finish

Model	Material	Damper
E290O	Extruded Alum	OBD


**E285A**  
**TRANSFER GRILLE**

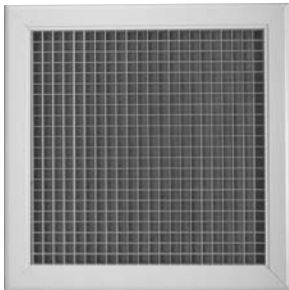

- Vision proof
- Inverted "Y" type grille bar for best vision proof quality and airflow
- Excellent for installation in doors or partitions
- Complete unit includes grille and outside frame
- Bright White or painted aluminum finish

Model	Material	Damper
E285A	Extruded Alum	none



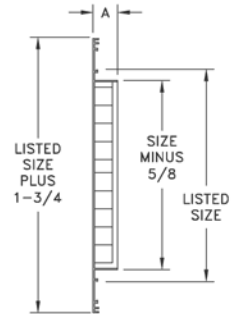


**E900**  
EGGCRATE RETURN AIR GRILLE

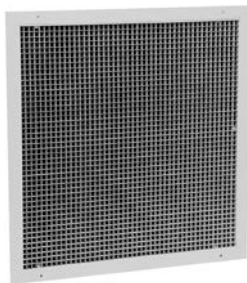


- Grid core 1/2" x 1/2" x 1/2"
- Square core design with extruded aluminum frame
- Bright White or Mill finish

Model	Material	Damper
E900	Extruded Alum	none

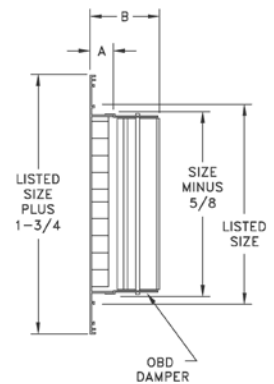


**E900O**  
EGGCRATE GRILLE W/ OBD

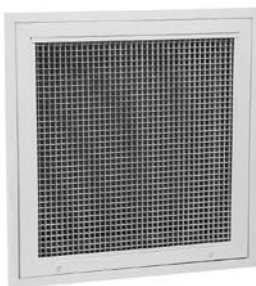


- Grid core 1/2" x 1/2" x 1/2"
- Square core design with extruded aluminum frame
- Bright White or Mill finish

Model	Material	Damper
E900O	Extruded Alum	OBD

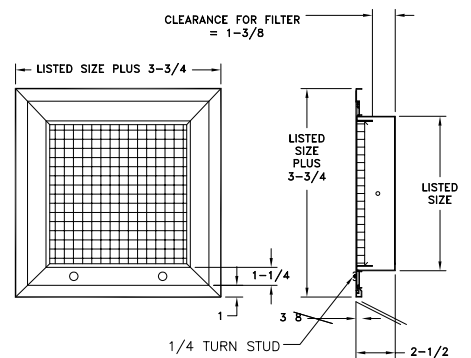


**E900FF**  
EGGCRATE FILTER GRILLE



- 1/2" x 1/2" x 1/2" square core design
- Accommodates standard 1" thick disposable filter (not included)
- Filter grilles equipped with quarter turn fasteners, removable face
- Bright White or Mill finish

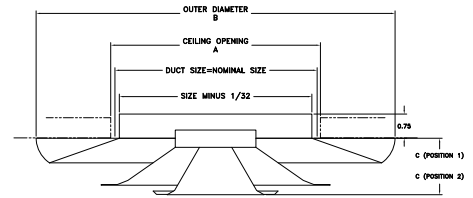
Model	Material	Damper
E900FF	Extruded Alum	none



## 805 ROUND DIFFUSER



- Diffuser outer shell fastens directly to duct or to optional 805R duct ring; margins fit tight to ceiling for optimum ceiling appearance
- For ceiling or exposed duct installation
- Five-step positioning of air pattern adjustment
- 360° pattern, horizontal to vertical pattern change
- Removable center core
- Optional 805D damper; duct-mount only
- Bright White finish



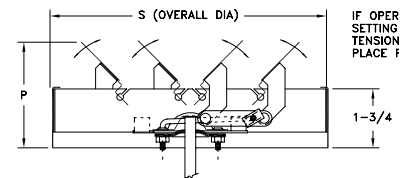
Model	Material	Damper
805	Steel	none

## 805D DAMPER



- Opposed-blade damper
- Bright White finish
- Duct-mount only

Model	Material	Damper
805D	Steel	OBD

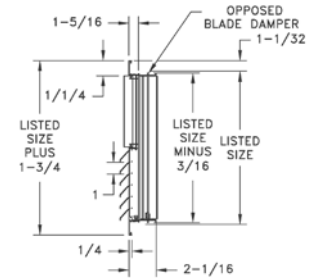


CROSS SECTION WITH VALVES PARTLY OPEN  
SHOWING OPPOSED-BLADE OPERATION

**E464 SERIES**  
ADJUSTABLE MODULAR DIFFUSER



- Flat (extended) margin
- Four modular cores provide variable pattern adjustments of four-way, three-way, two-way, or one-way horizontal air patterns
- Fixed fins
- Bright White finish

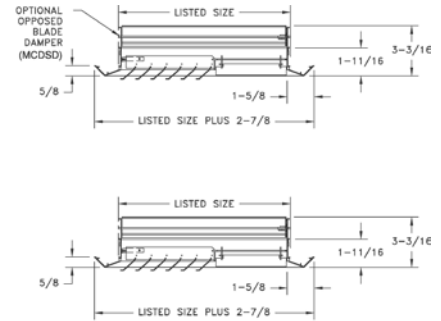


Model	Material	Damper
E464	Extruded Alum	none
E464O	Extruded Alum	OBD

**E464B SERIES**  
ADJUSTABLE MODULAR DIFFUSER

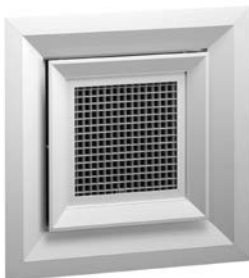


- Step-down (beveled) margin
- Four modular cores provide variable pattern adjustments of four-way, three-way, two-way, or one-way horizontal air patterns
- Fixed fins
- Bright White finish

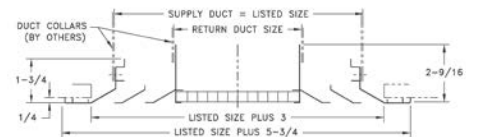


Model	Material	Damper
E464B	Extruded Alum	none
E464BO	Extruded Alum	OBD

**E1040CF**  
CONCENTRIC DIFFUSER FLAT FRAME



- Flat (extended) margins overlap opening
- For use with roof-mounted installations
- Removable core
- Return damper available - ERD
- Supply damper available - AS7
- Bright White or Satin Anodized finish

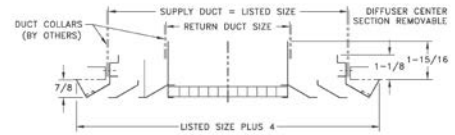


Model	Material	Damper
E1040CF	Extruded Alum	optional

## E1040CS CONCENTRIC DIFFUSER BEVELED FRAME

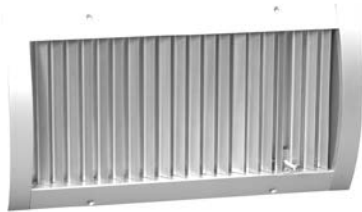


- Step-down (beveled) margins overlap opening and lowers the diffuser from the ceiling
- For use with roof-mounted installations
- Removable core
- Return damper available - ERD
- Supply damper available - AS7
- Bright White or Satin Anodized finish

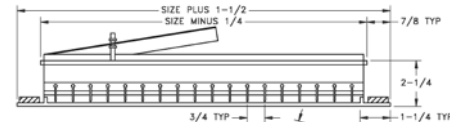
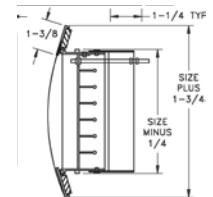


Model	Material	Damper
E1040CS	Extruded Alum	optional

## ESD SINGLE-DEFLECTION SPIRAL DIFFUSER



- Single row of individually-adjustable vertical blades for horizontal air-deflection control
- Available as diffuser only or diffuser with air scoop
- Optional face adjustable scoop to direct airflow
- Counter-sunk screw holes
- Available sizes: 10x3 to 36x12 for 6" to 50" ducts
- Bright White and Satin Anodized finishes



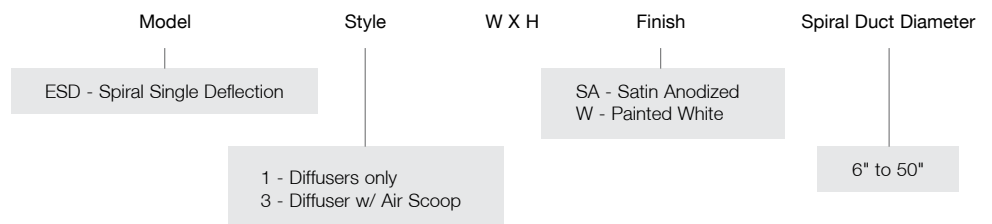
Model	Material	Air Scoop
ESD1	Extruded Alum	none
ESD3	Extruded Alum	Yes

### Minimum Duct Diameter per listed size

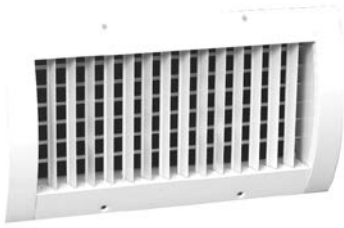
Height	Width								
	10	12	14	16	18	20	24	30	36
3	5	5	5	5	5	5	5	5	5
4	6	6	6	6	6	6	6	6	6
6	8	8	8	8	8	8	8	8	8
8			10	10	10	10	10	10	10
10				12	12	12	12	12	12
12					14	14	14	14	14

Maximum duct diameter for all sizes is 50"  
Maximum width is 36"

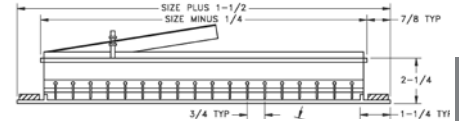
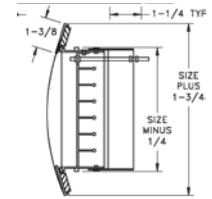
### How to Order



**ESDD**  
**DOUBLE-DEFLECTION SPIRAL DIFFUSER**



- Two rows of individually-adjustable blades for horizontal and vertical deflection control
- Optional face adjustable scoop to direct airflow
- Counter-sunk screw holes
- Available sizes: 10x3 to 36x12 for 6" to 50" ducts
- Bright White and Satin Anodized finishes



Model	Material	Air Scoop
ESDD1	Extruded Alum	none
ESDD3	Extruded Alum	Yes

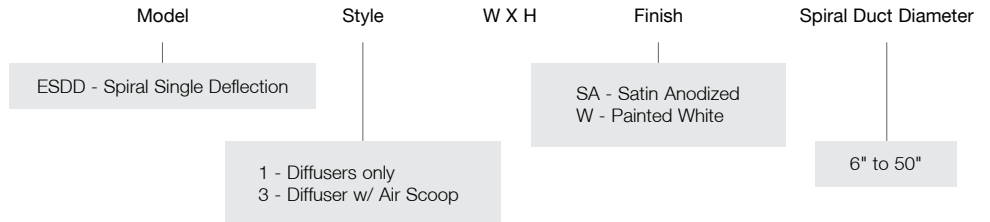
SPIRAL DIFFUSERS

**Minimum Duct Diameter per listed size**

Height	Width								
	10	12	14	16	18	20	24	30	36
3	5	5	5	5	5	5	5	5	5
4	6	6	6	6	6	6	6	6	6
6	8	8	8	8	8	8	8	8	8
8			10	10	10	10	10	10	10
10				12	12	12	12	12	12
12					14	14	14	14	14

Maximum duct diameter for all sizes is 50"  
Maximum width is 36"

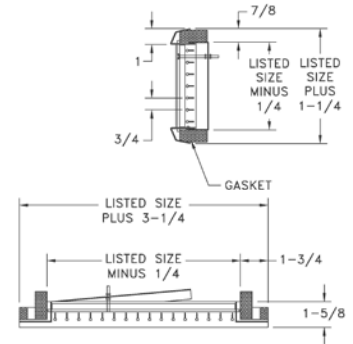
**How to Order**



## EUSD SINGLE-DEFLECTION UNIVERSAL SPIRAL DIFFUSER



- Single row of individually-adjustable vertical blades for horizontal air deflection control
- Optional face adjustable scoop to direct airflow
- Counter-sunk screw holes
- Available sizes: 10x3 to 36x12
- Fits duct sizes 6" on up, based on diffuser height
- Bright White and Satin Anodized finishes

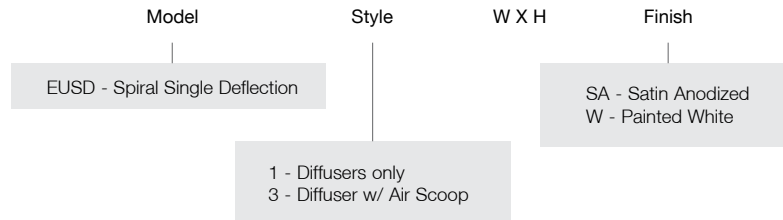


Model	Material	Air Scoop
EUSD1	Extruded Alum	none
EUSD3	Extruded Alum	Yes

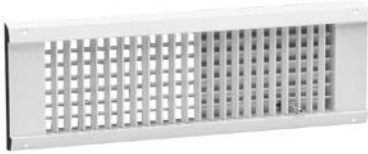
### Minimum Duct Diameter per listed size

Height	Width								
	10	12	14	16	18	20	24	30	36
3	6	6	6	6	6	6	6	6	6
4	10	10	10	10	10	10	10	10	10
6	12	12	12	12	12	12	12	12	12
8	20	20	20	20	20	20	20	20	20
10		24	24	24	24	24	24	24	24
12				30	30	30	30	30	30

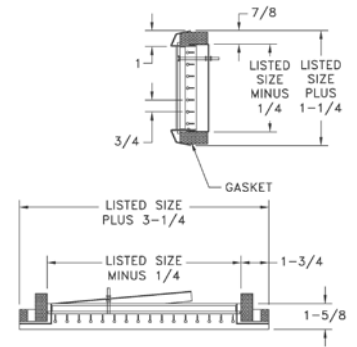
### How to Order



## EUSDD DOUBLE-DEFLECTION UNIVERSAL SPIRAL DIFFUSER



- Two rows of individually-adjustable blades for horizontal and vertical air deflection control
- Optional face adjustable scoop to direct airflow
- Counter-sunk screw holes
- Available sizes: 10x3 to 36x12
- Fits duct sizes 6" on up, based on diffuser height
- Bright White and Satin Anodized finishes

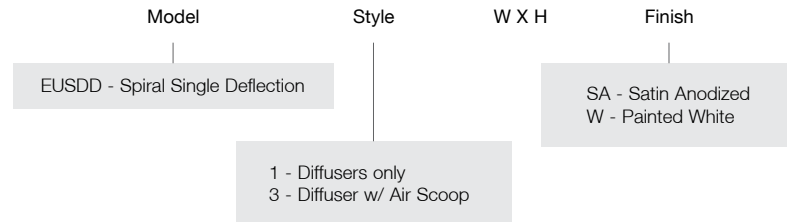


Model	Material	Air Scoop
EUSDD1	Extruded Alum	none
EUSDD3	Extruded Alum	Yes

### Minimum Duct Diameter per listed size

Height	Width								
	10	12	14	16	18	20	24	30	36
3	6	6	6	6	6	6	6	6	6
4	10	10	10	10	10	10	10	10	10
6	12	12	12	12	12	12	12	12	12
8	20	20	20	20	20	20	20	20	20
10			24	24	24	24	24	24	24
12					30	30	30	30	30

### How to Order



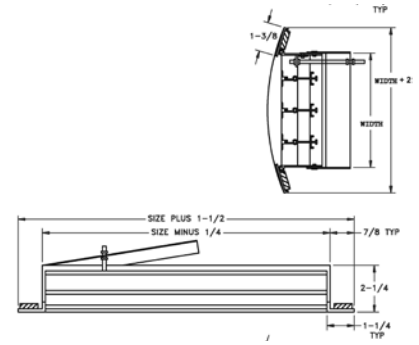
SPIRAL DIFFUSERS



## ESF SLOT FACE DIFFUSER



- Slot sizes available: 1/2", 3/4", 1"
- Optional face adjustable scoop to direct airflow. Scoop not available for 1/2" or 3/4" 1-slot models
- Counter-sunk screw holes
- Available in one to four slots wide up to 48" length for 6" to 50" ducts
- Bright White and Satin Anodized finishes

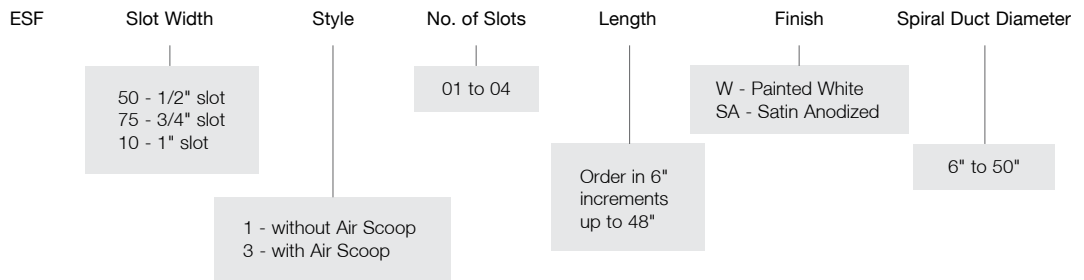


Model	Material	Damper
ESF	Extruded Alum	none

### Width/Minimum Duct Diameter

Slot Width	No. of Slots			
	1	2	3	4
1/2"	1.75/6	3.00/8	4.25/12	5.50/16
3/4"	2.00/6	3.50/10	5.00/14	6.50/22
1"	2.25/6	4.00/12	5.75/16	7.50/28

### How to Order



## ELF/ELS LINEAR DIFFUSERS



### Minimum width 1 - 1/2"

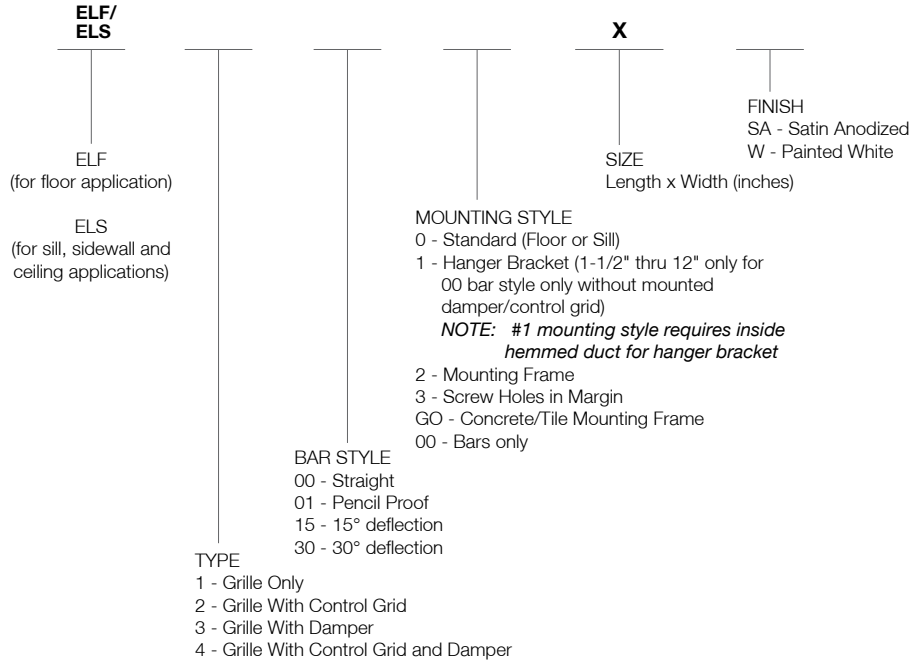
Note: Floor application must be ordered as "ELF." Eight-inch maximum width for constant traffic; 12" maximum width for occasional traffic; maximum length 72".

See page 41 for How to Order  
See page 44 for dimensional data

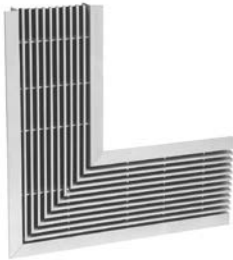
- Ceiling, sidewall, sill or floor applications
- Available in 0, 15, or 30 °s and pencil proof bar deflections
- Four mounting styles-standard, hanger bracket, mounting frame and screw holes in margin
- Maximum one-piece length 72", width 24" (1/2" width increments)
- Lengths over 72" made in multiple units with keyway splices to form even continuous lengths
- Bright White or Satin Anodized finish

Model	Material	
ELF	Extruded Alum	Floor/Sill
ELS	Extruded Alum	Ceiling/Sidewall

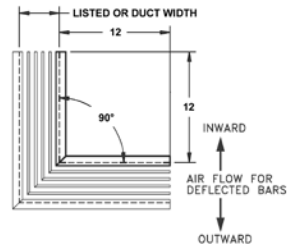
## How to Order ELF/ELS Diffuser



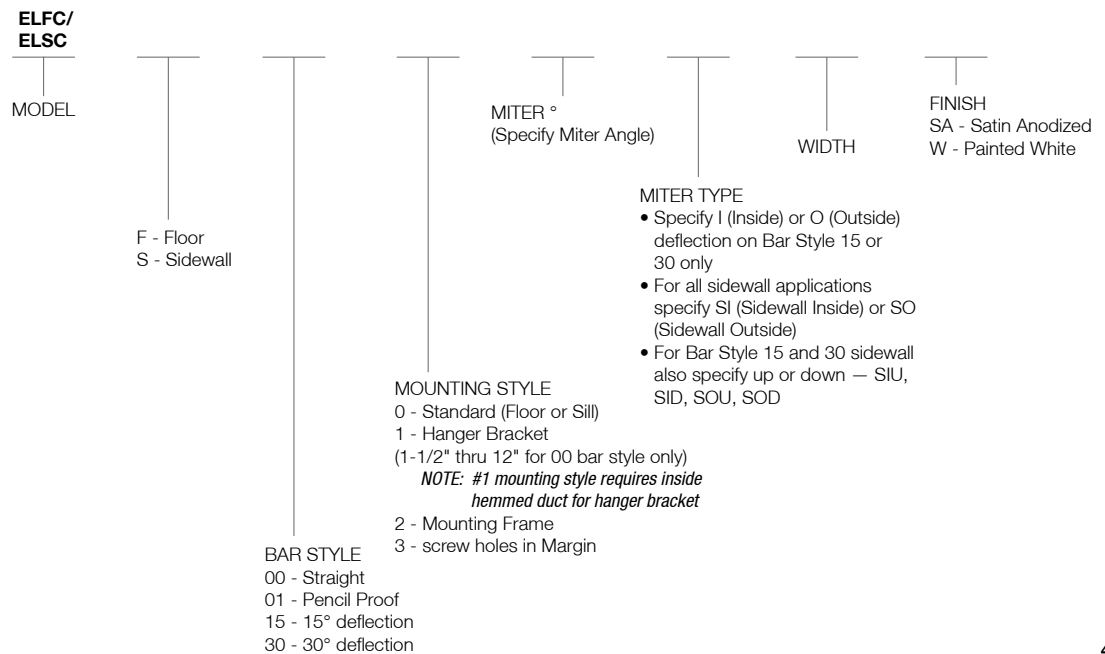
## ELFC/ELSC MITERED CORNERS



Mitered Corner Sections furnished as shown. Blank off baffles available upon request.

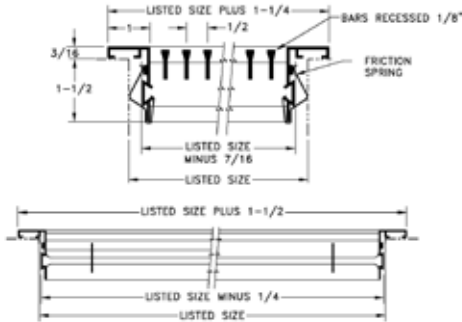


## How to Order ELFC/ELSC Mitered Corners

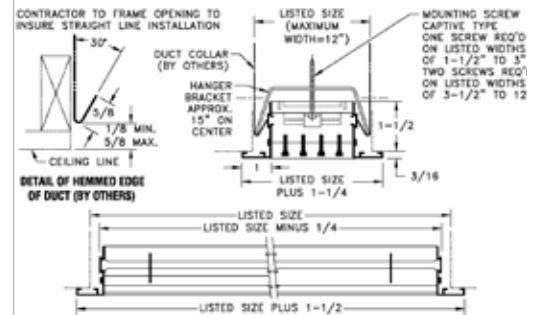


## ELF/ELS Series – Dimensional Data

**Mounting Style 0**  
(Floor/Sill) ELF

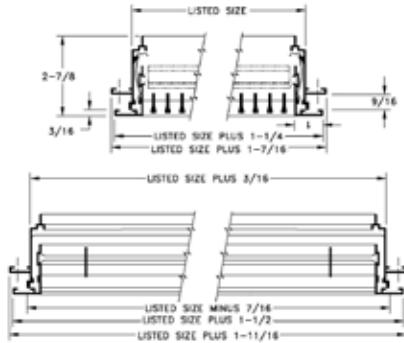


**Mounting Style 1**  
(Ceiling) ELS

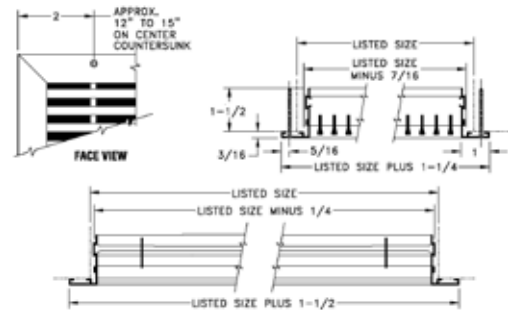


**00 Bar Style Only**  
w/o Mounted Damper or Control Grid

**Mounting Style 2**  
(Ceiling/Sidewall) ELS

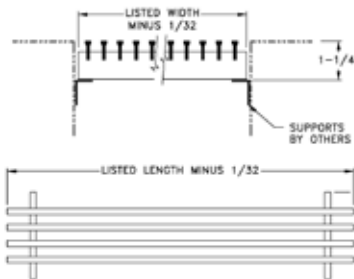


**Mounting Style 3**  
(Ceiling/Sidewall) ELS

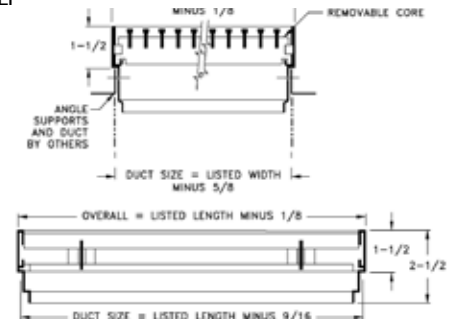


LINEAR DIFFUSER

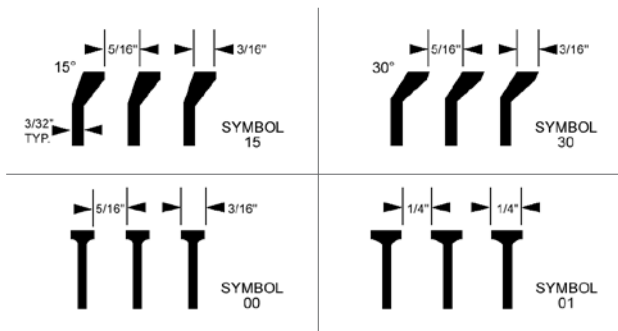
**Mounting Style 00**  
(Bars Only)



**Mounting Style 00**  
(Concrete/Tile) ELF



### Bar Styles



Bars on 1/2" Centers

Note: Quantity of bars = 2 x listed width minus 2.  
Example: 4" listed width = 4" x 2 = 8 minus 2 = 6 bars.

## ELF/ELS SERIES SINGLE-LEAF DAMPER OPTION



- Leaf type for sizes 1½" to 3"
- Order with desired diffuser for attachment at factory.
- Cannot be used with hanger brackets.

Model	Material	Damper
ESF/ELF	Extruded Alum	Single Leaf

## ELF/ELS SERIES GRID OPTION



- Individually-adjustable blades
- Cannot be used with hanger brackets

Model	Material	Damper
ELF/ELS	Extruded Alum	

LINEAR DIFFUSER


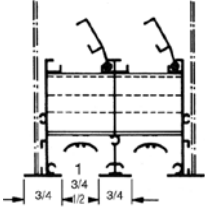
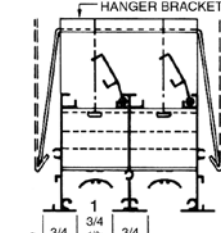
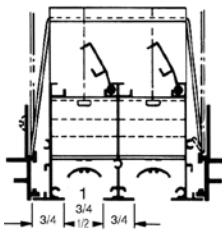
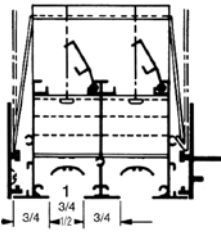

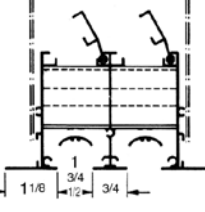
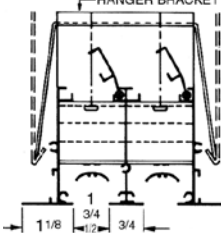
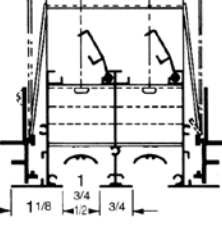
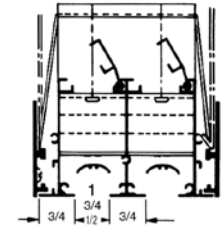

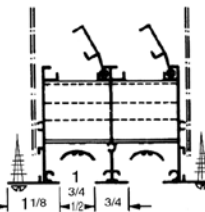

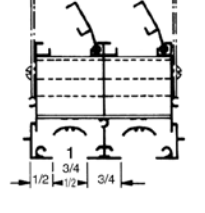
## ELF/ELS SERIES OBD DAMPER OPTION



- Controls the air volume from full flow to shut-off
- Fits widths of 3½" and wider
- Order with desired diffuser for attachment at factory.
- Must be ordered separately and duct-mounted if mounting style #1 is used.

Model	Material	Damper
ELF/ELS	Extruded Alum	OBD

**ESCD SERIES  
SLOT DIFFUSERS**

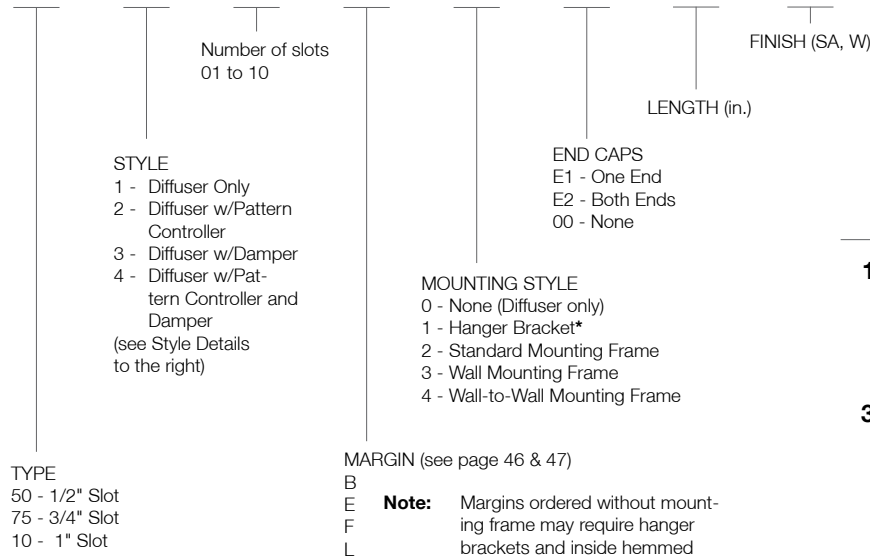
Margin Style	SLOT	Mounting Style 0 Diffuser Only	Mounting Style 1 with Hanger Bracket	with No. 2 Standard Mounting Plaster Frame	with No. 3 Wall-Mounting Plaster Frame
 End Cap	1" 3/4" 1/2"	<b>BO</b> 	<b>B1</b> HANGER BRACKET 	<b>B2</b> 	<b>B3</b> 
	1" 3/4" 1/2"	<b>EO</b> 	<b>E1</b> HANGER BRACKET 	<b>E2</b> 	<b>with No. 4 Wall-to-Wall Mounting Plaster Frame</b> <b>B4</b> 
 End Cap	1" 3/4" 1/2"	<b>FO</b> 			
	1" 3/4" 1/2"	<b>LO</b> 			

**Note:** Narrow regress  
T-Bar ceiling only.

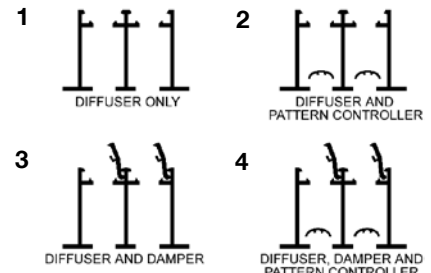
- Extruded aluminum construction
- Three slot sizes: 1/2" slot, 3/4" slot, 1" slot
- One to ten slots wide for air volume of 10-350 cfm per foot
- Adjustable pattern controller
- Four margin styles
- Maximum one-piece length 72", lengths over 72" made in multiple units with keyway splices for even continuous lengths. Any fractional inch increment of length.
- Available as diffuser only, diffuser with damper or pattern controller, and diffuser with damper and pattern controller.

## How to Order

### ESCD



### Style Details



MARGIN (see page 46 & 47)

**Note:** Margins ordered without mounting frame may require hanger brackets and inside hemmed duct for installation.

**Note:** The width dimension is determined by the slot width and the number of slots.

\* When using the larger bracket for sheetrock, the E margin is recommended.



No. 2



No. 3



No. 4

## Damper

Single-leaf dampers are furnished in each slot opening throughout the entire diffuser length when specified. Dampers are fastened to the margin and are spring-loaded to hold their setting at all duct pressures. Multiple dampers are furnished for grille lengths over 24 inches.

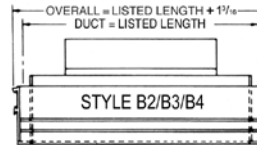
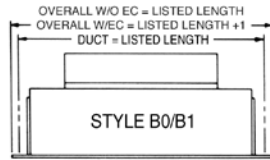
Dampers are part of the ESCD Series and are not specified separately.

## Frames

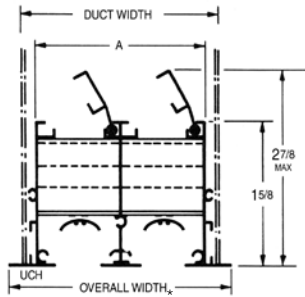
Plaster frames are available to provide a positive-dimensioned ceiling or wall opening for the diffuser or grille.

Frames for ESCD Series diffusers are furnished with formed bridge spacers to maintain a uniform, rigid opening during installation. The duct collar is fastened to the frame.

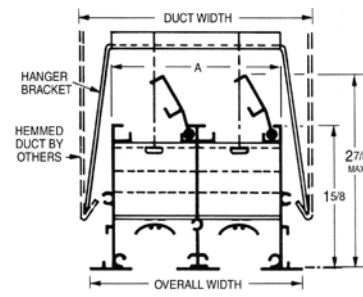
See specific ESCD Series for frame dimensions and installation details.

**ESCD SERIES  
SLOT DIFFUSERS**


**Style B0**  
 Also for T-Bar applications  
 Order 22<sup>3/4</sup>" or 46<sup>3/4</sup>"  
 lengths with End Caps

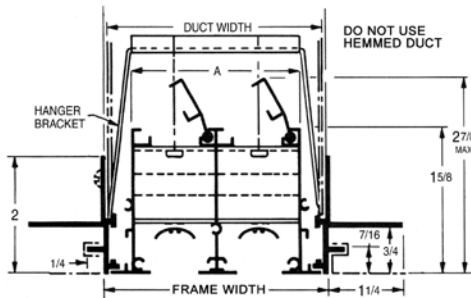


**Style B1**

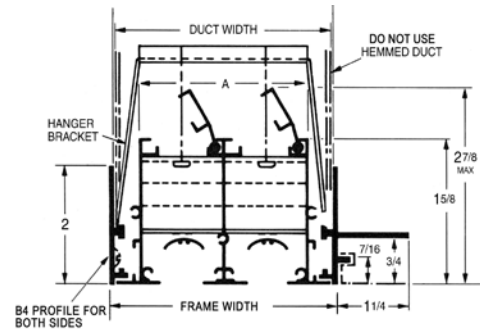


\*Overall width is only  
 5/16" greater than the  
 duct width.

**Style B2**



**Style B3**



LINEAR DIFFUSER

**Style B0**

Dimension	Type	Number of Slots										Duct Width	Overall Width
		1	2	3	4	5	6	7	8	9	10		
A	50	1 <sup>1/4</sup>	2 <sup>1/2</sup>	3 <sup>3/4</sup>	5	6 <sup>1/4</sup>	7 <sup>1/2</sup>	8 <sup>3/4</sup>	10	11 <sup>1/4</sup>	12 <sup>1/2</sup>	A+ 7/16	A+ 3/4
	75	1 <sup>1/2</sup>	3	4 <sup>1/2</sup>	6	7 <sup>1/2</sup>	9	10 <sup>1/2</sup>	12	13 <sup>1/2</sup>	15	A+ 7/16	A+ 3/4
	10	1 <sup>3/4</sup>	3 <sup>1/2</sup>	5 <sup>1/4</sup>	7	8 <sup>3/4</sup>	10 <sup>1/2</sup>	12 <sup>1/4</sup>	14	15 <sup>3/4</sup>	17 <sup>1/2</sup>	A+ 7/16	A+ 3/4

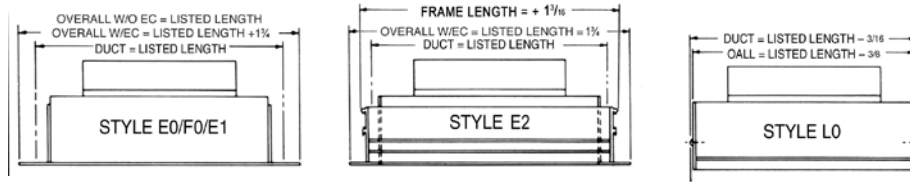
**Style B1**

Dimension	Type	Number of Slots										Duct Width	Overall Width
		1	2	3	4	5	6	7	8	9	10		
A	50	1 <sup>1/4</sup>	2 <sup>1/2</sup>	3 <sup>3/4</sup>	5	6 <sup>1/4</sup>	7 <sup>1/2</sup>	8 <sup>3/4</sup>	10	11 <sup>1/4</sup>	12 <sup>1/2</sup>	A+ 3/4	A+ 3/4
	75	1 <sup>1/2</sup>	3	4 <sup>1/2</sup>	6	7 <sup>1/2</sup>	9	10 <sup>1/2</sup>	12	13 <sup>1/2</sup>	15	A+ 3/4	A+ 3/4
	10	1 <sup>3/4</sup>	3 <sup>1/2</sup>	5 <sup>1/4</sup>	7	8 <sup>3/4</sup>	10 <sup>1/2</sup>	12 <sup>1/4</sup>	14	15 <sup>3/4</sup>	17 <sup>1/2</sup>	A+ 3/4	A+ 3/4

**Style B2/B3/B4**

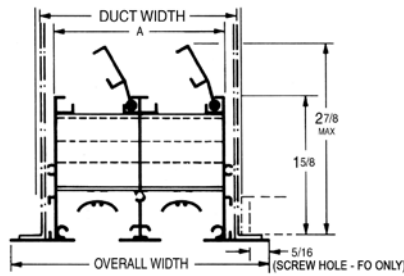
Dimension	Type	Number of Slots										Duct Width	Frame Width
		1	2	3	4	5	6	7	8	9	10		
A	50	1 <sup>1/4</sup>	2 <sup>1/2</sup>	3 <sup>3/4</sup>	5	6 <sup>1/4</sup>	7 <sup>1/2</sup>	8 <sup>3/4</sup>	10	11 <sup>1/4</sup>	12 <sup>1/2</sup>	A+ 13/16	A+ 15/16
	75	1 <sup>1/2</sup>	3	4 <sup>1/2</sup>	6	7 <sup>1/2</sup>	9	10 <sup>1/2</sup>	12	13 <sup>1/2</sup>	15	A+ 13/16	A+ 15/16
	10	1 <sup>3/4</sup>	3 <sup>1/2</sup>	5 <sup>1/4</sup>	7	8 <sup>3/4</sup>	10 <sup>1/2</sup>	12 <sup>1/4</sup>	14	15 <sup>3/4</sup>	17 <sup>1/2</sup>	A+ 13/16	A+ 15/16



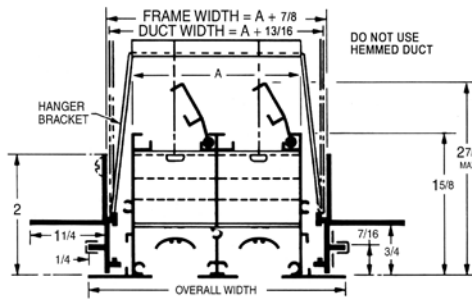


## Style E0/F0

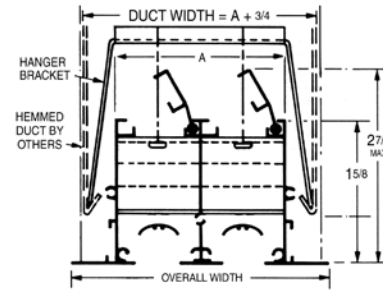
Also for T-Bar applications  
For E0, order 22" and 46" lengths with End Caps



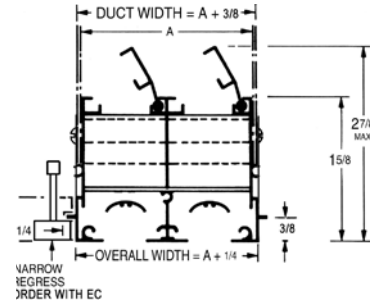
## Style E2



## Style E1



## Style L0



## Style E1

Dimension	Type	Number of Slots										Overall Width
		1	2	3	4	5	6	7	8	9	10	
A	50	1 1/4	2 1/2	3 3/4	5	6 1/4	7 1/2	8 3/4	10	11 1/4	12 1/2	A+ 1 1/2
	75	1 1/2	3	4 1/2	6	7 1/2	9	10 1/2	12	13 1/2	15	A+ 1 1/2
	10	1 3/4	3 1/2	5 1/4	7	8 3/4	10 1/2	12 1/4	14	15 3/4	17 1/2	A+ 1 1/2

## Style E2

Dimension	Type	Number of Slots										Overall Width
		1	2	3	4	5	6	7	8	9	10	
A	50	1 1/4	2 1/2	3 3/4	5	6 1/4	7 1/2	8 3/4	10	11 1/4	12 1/2	A+ 1 1/2
	75	1 1/2	3	4 1/2	6	7 1/2	9	10 1/2	12	13 1/2	15	A+ 1 1/2
	10	1 3/4	3 1/2	5 1/4	7	8 3/4	10 1/2	12 1/4	14	15 3/4	17 1/2	A+ 1 1/2

## Style E0/F0

Dimension	Type	Number of Slots										Duct Width	Overall Width
		1	2	3	4	5	6	7	8	9	10		
A	50	1 1/4	2 1/2	3 3/4	5	6 1/4	7 1/2	8 3/4	10	11 1/4	12 1/2	A+ 7/16	A+ 1 1/2
	75	1 1/2	3	4 1/2	6	7 1/2	9	10 1/2	12	13 1/2	15	A+ 7/16	A+ 1 1/2
	10	1 3/4	3 1/2	5 1/4	7	8 3/4	10 1/2	12 1/4	14	15 3/4	17 1/2	A+ 7/16	A+ 1 1/2

## Style L0

Dimension	Type	Number of Slots									
		1	2	3	4	5	6	7	8	9	10
A	50	1 1/4	2 1/2	3 3/4	5	6 1/4	7 1/2	8 3/4	10	11 1/4	12 1/2
	75	1 1/2	3	4 1/2	6	7 1/2	9	10 1/2	12	13 1/2	15
	10	1 3/4	3 1/2	5 1/4	7	8 3/4	10 1/2	12 1/4	14	15 3/4	17 1/2

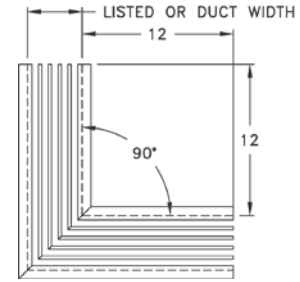
## ESCDC SERIES MITERED CORNERS



90° mitered corners are available as factory-fabricated section. Precise factory cutting and assembly reduces field fabrication time and assures proper fit. Corner sections are furnished and blanked off. Corner sections butt to adjacent straight sections, which are spliced together with aligning keys.

Mitered corners are furnished in style #4 (with pattern controller and damper). When viewed from the room side, the mitered corner section appears identical to the butting straight sections.

Plaster frame mitered corners can be specified with the outlet mitered corner.



Model	Material	Damper
ESCDC	Extruded Alum	optional

### How to Order

**ESCDC**

TYPE  
50 - 1/2" Slot  
75 - 3/4" Slot  
10 - 1" Slot

NO. OF SLOTS  
01 - 10

MITER TYPE  
C - Ceiling  
SI - Sidewall Inside  
SO - Sidewall Outside

MOUNTING STYLE  
0 - None (Diffuser only)  
1 - Hanger Bracket  
2 - Standard Mounting Frame  
3 - Wall Mounting Frame  
4 - Wall-to-Wall Mounting Frame

MARGIN (see page 46 & 47)  
B  
E  
F  
L

**Note:** Margins ordered without mounting frame may require hanger brackets and inside hemmed duct for installation.

MC 90

FINISH  
SA - Satin Anodized  
W - Painted White

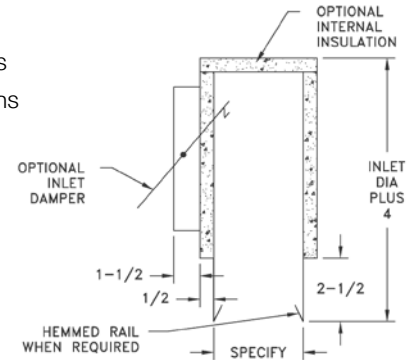
## PS DISTRIBUTION PLENUM



- Galvanized steel construction
- For ELS and ESCD Series Linears and Slots
- Available in insulated or noninsulated designs

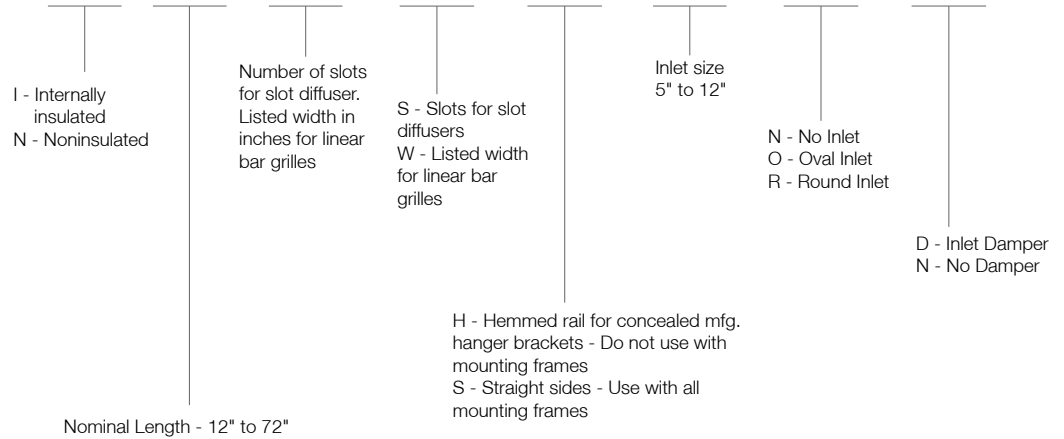
Model	Material	Damper
PS	Steel	

**PS Available Sizes**  
12", 24", 36", 48", 60", 72" lengths



### How to Order

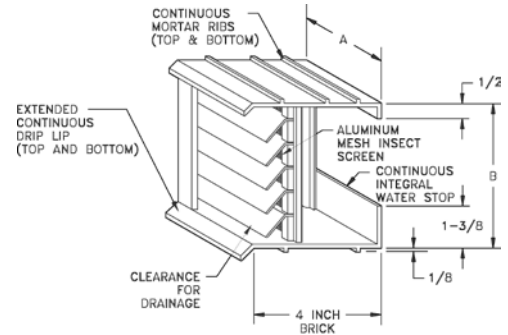
PS



SLOT DIFFUSER

**BL  
BRICK/BLOCK VENTS**


- Standard masonry size
- Maximum water protection
- 6063-T5 extruded aluminum alloy
- 18 x 16 mesh aluminum insect screen standard
- 4" standard depth
- Satin Anodized finish



Model	Material	Damper
BL	Extruded Alum	ODB Option

Note: To order specify Model, Depth, Finish  
 Example: BL168 4 SA

	BV Model	Masonry Opening Size	A Width Inches	B Width Inches	Free Area Sq. Ft.
<b>STANDARD BRICK</b>	802	ONE BRICK	8	2 1/2	0.01
	805	TWO BRICK	8	4 3/4	0.06
	162	TWO BRICK	16 3/8	2 1/2	0.02
	808	THREE BRICK	8	7 1/2	0.13
	242	THREE BRICK	24 3/4	2 1/2	0.04
	165	FOUR BRICK	16 3/8	4 3/4	0.14
	168	SIX BRICK	16 3/8	7 1/2	0.3
	245	SIX BRICK	24 3/4	4 3/4	0.23
	248	NINE BRICK	24 3/4	7 1/2	0.5
<b>JUMBO BRICK</b>	122	ONE JUMBO	11 5/8	2 1/2	0.02
	125	TWO JUMBO	11 5/8	4 3/4	0.1
	128	THREE JUMBO	11 5/8	7 1/2	0.21
<b>MODULAR BLOCK</b>	158	STANDARD BLOCK	15 1/2	7 1/2	0.3
	318	TWO STANDARD BLOCK	31 3/8	7 1/2	0.66
	168	JUMBO BLOCK	16 3/8	7 1/2	0.3

**Notes:**

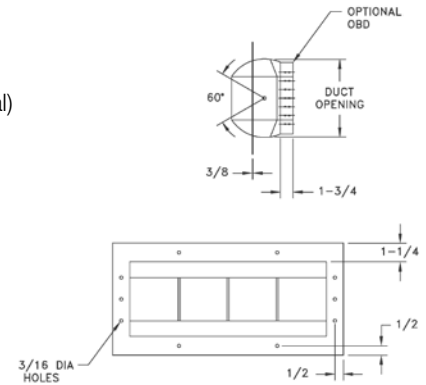
1. Brick/Block vent depths are identical with or without the optional opposed-blade damper.
2. Contact factory regarding applications requiring custom size widths and/or heights.
3. Masonry opening sizes listed are representative of the blocks or bricks shown. Field dimensions must be verified to guarantee fit.

## DG SERIES DRUM LOUVER



- Horizontal and vertical air stream control
- Galvanized, opposed-blade damper (optional)
- Adjustable drum and vane design
- White or Mill finish

Model	Material	Damper
DG	Aluminum	none
DG O	Aluminum	OBD

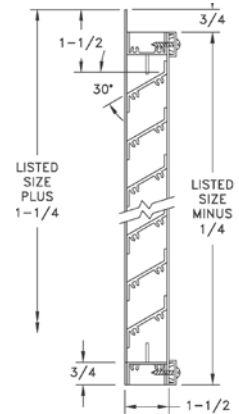


## E2530 STATIONARY LOUVER 1-1/2" DEPTH



- Fixed Z blade louver
- Blades at 30° angle
- 1-1/2" louver depth
- Channel or flange frame
- Available with aluminum bird screen or aluminum insect screen
- Mill finish standard

Model	Material	Frame
E2530C	Extruded Alum	Channel
E2530F	Extruded Alum	Flange

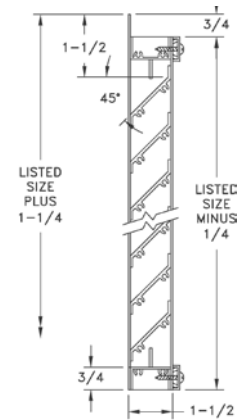


**E2545**  
STATIONARY LOUVER 1-1/2" DEPTH



- Fixed Z blade louver
- Blades at 45° angle
- 1-1/2" louver depth
- Channel or flange frame
- Available with aluminum bird screen or aluminum insect screen
- Mill finish standard

Model	Material	Frame
E2545C	Extruded Alum	Channel
E2545F	Extruded Alum	Flange

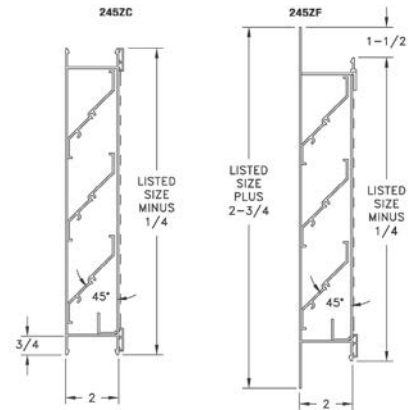


**E2245**  
STATIONARY LOUVER 2" DEPTH



- Fixed-blade louver
- Blades at 45° angle
- 2" louver depth
- Channel or flange frame
- Available with aluminum bird screen or aluminum insect screen
- Mill finish standard

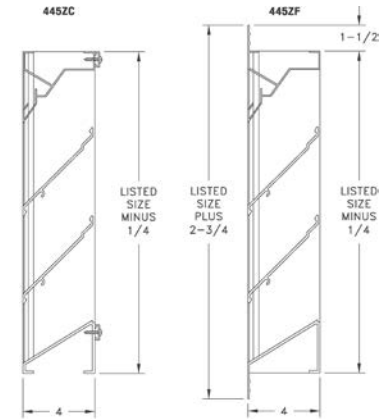
Model	Material	Frame
E2245C	Extruded Alum	Channel
E2245F	Extruded Alum	Flange



**E2445**  
STATIONARY LOUVER 4" DEPTH



- Fixed-blade louver
- Blades at 45° angle
- 4" louver depth
- Channel or flange frame
- Available with aluminum bird screen or aluminum insect screen
- Mill finish standard

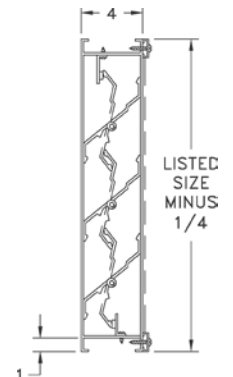


Model	Material	Frame
E2445C	Extruded Alum	Channel
E2445F	Extruded Alum	Flange

**E2045CA**  
ADJUSTABLE LOUVER 4" DEPTH



- Adjustable baffle blades on 4" centers
- 4" louver depth
- Channel frame
- Max. one-piece size 48" W x 72" H
- Lever activated, manually
- Blades open to 45°; closes fully
- Mill finish standard



Model	Material	Frame
E2045CA	Extruded Alum	Channel

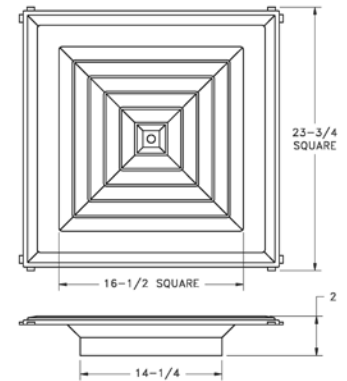


## 4-WAY REZZIN T-BAR DIRECTIONAL DIFFUSER



- Four-way deflection
- Available with Rezzin Square-to-Round, ordered separately
- Contains metal screws
- Bright White finish

Model	Material	Damper
4-Way T-Bar	Polymer	none

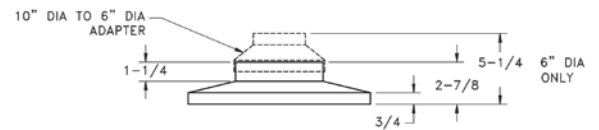
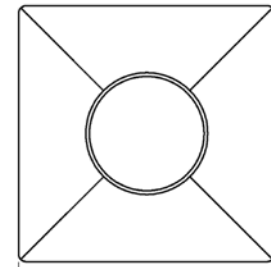


## REZZIN SQUARE-TO-ROUND TRANSITION



- Allows flex duct installation for 4-Way Rezzin Diffuser
- Contains metal screws/clips
- Can use 800RD damper

Model	Material	Damper
RZ-Sq to Rd	Polymer	-



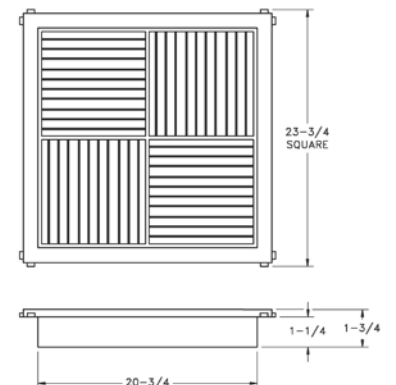
## REZZIN T-BAR MODULAR CORE DIFFUSER

REZZIN TBAR DIFFUSER



- Modular cores provide one, two, three, or four-way horizontal air patterns
- Removable modules provide easy access to accessories
- Available with Rezzin Back Panel, ordered separately
- Bright White finish

Model	Material	Damper
Mod Core	Polymer	none

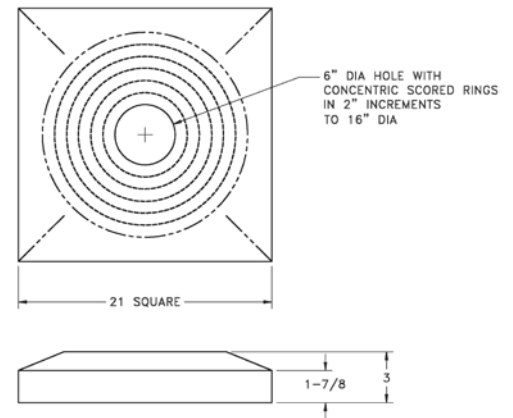


**REZZIN BACK PANEL**

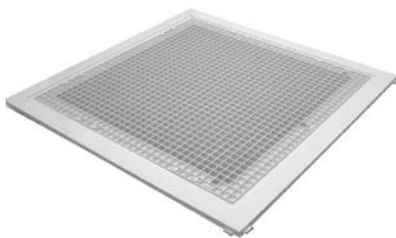


- Use 800TC Series Tab Collar
- For use on Rezzin Modular Core and Rezzin Egg Crate
- Bright White finish

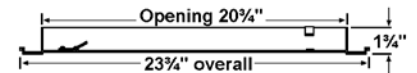
Model	Material	Damper
Back Panel	Polymer	–



**REZZIN T-BAR EGGRATE FILTER GRILLE**



- Eggcrate style face, 1/2" x 1/2" x 1/2" grid pattern
- Face is hinged to filter frame
- Mounts flush with T-bar ceilings
- Uses Rezzin Back Panel or standard fiberglass back
- Uses standard 1" disposable filters
- Contains metal screws
- Bright White finish

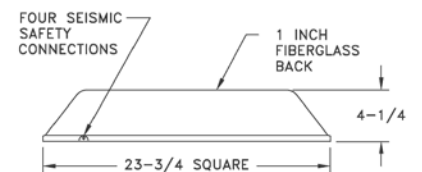


Model	Material	Damper
Egg Crate	Polymer	none

**TB173FF INSULATED R6 FILTER GRILLE WITH FIBERGLASS BACK**



- Steel Construction
- Lanced face design with 1/3" fin spacing
- Flush, removable face with concealed latches and hinges, can be installed in any direction
- R6 Molded insulation
- Accepts 6" to 14" unique tab collar (800 TC series) or 6" to 16" unique snap-in collar (805RC and 805PP series); also accepts standard spin collar
- Frame includes four seismic safety connections
- Uses standard 1" disposable filters (not finished)
- Bright white finish

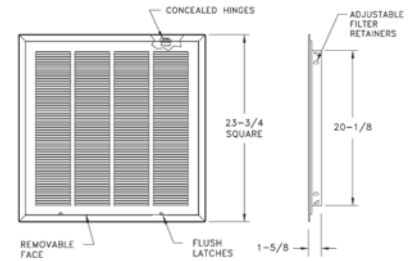


Model	Material	Damper
TB173FF	Steel	none

REZZIN TBAR DIFFUSER

**TB170FF  
 FILTER GRILLE**

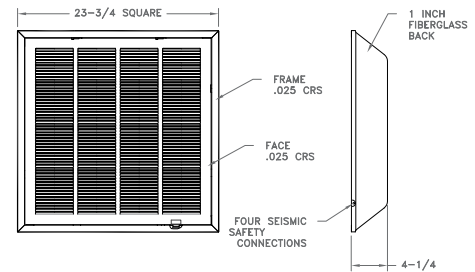

- Lanced-face design with 1/2" blade spacing
- Flush, removable face with concealed latches and hinges can be installed in any direction
- Uses standard 1" disposable filters (not furnished)
- Bright White finish



Model	Material	Damper
TB170FF	Steel	none

**TB170FF INS  
 FILTER GRILLE W/ FIBERGLASS BACK**

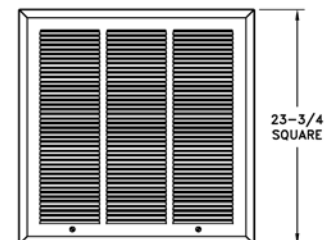
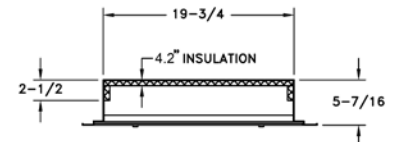

- Lanced-face design with 1/2" blade spacing
- Flush, removable face with concealed latches and hinges can be installed in any direction
- Uses standard 1" disposable filters (not furnished)
- R4 molded Insulation
- Bright White finish



Model	Material	Damper
TB170FFINS	Steel	none

**TB170FF 4 INS  
 FILTER GRILLE W/ INSULATED PLENUM BACK**


- Lanced-face design with 1/2" blade spacing
- Flush, face with screwdriver latches and piano hinges can be installed in any direction
- Plenum box with R4.2 insulated ductboard
- Uses standard 1" disposable filters (not furnished)
- Bright White finish

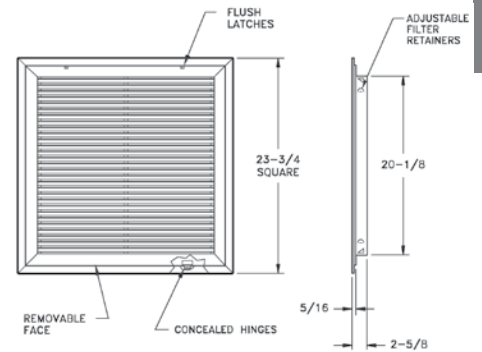


Model	Material	Damper
TB170FF 4 INS	Steel	none

## TB280FF FIXED-BAR FILTER GRILLE



- Bar-style face design
- Flush, removable face with concealed latches and hinges, can be installed in any direction
- Uses standard 1" disposable filters (not furnished)
- Bright White finish

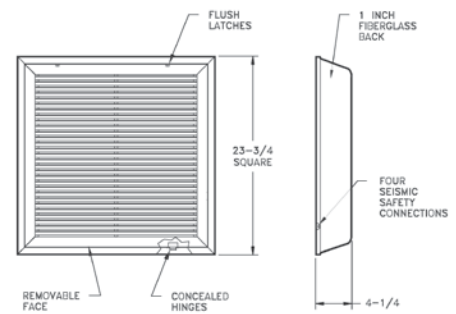


Model	Material	Damper
TB280FF	Steel	none

## TB280FF INS FIXED-BAR FILTER GRILLE WITH FIBERGLASS BACK



- Bar-style face design
- Flush, removable face with concealed latches and hinges, can be installed in any direction
- R4.2 molded fiberglass back
- Frame includes four seismic safety connections
- Uses standard 1" disposable filters (not furnished)
- Bright White finish

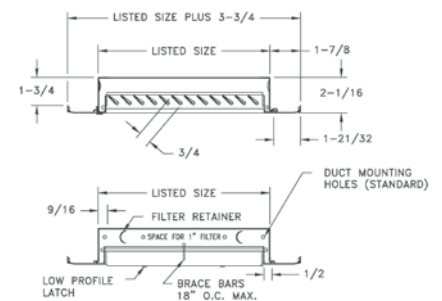


Model	Material	Damper
TB280FF INS	Steel	none

## ETB280FF FIXED BAR-STYLE FILTER GRILLE

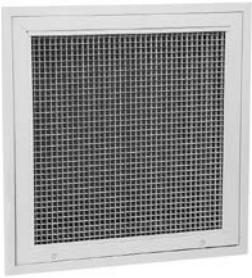


- Bar-style face
- Hinged to filter frame
- Mounts flush with T-Bar ceilings
- Thumb screw latch
- Uses standard 1" disposable filters (not furnished)
- Bright White or painted aluminum finish



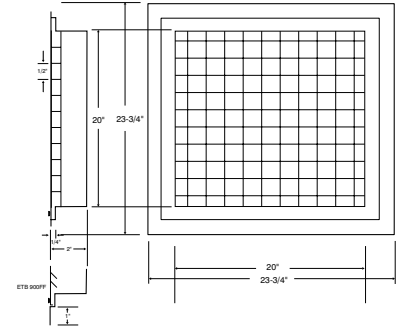
Model	Material	Damper
ETB280FF	Extruded Alum	none

## ETB900FF EGGCRATE FILTER GRILLE



- Eggcrate style face
- Hinged to filter frame
- Mount flush with T-Bar ceilings
- Thumb screw fasteners
- Uses standard 1" disposable filter (not furnished)
- Bright White finish

Model	Material	Damper
ETB900FF	Aluminum	none

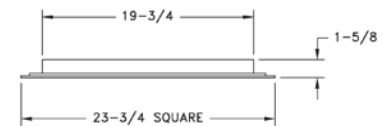


## TB740FF PERFORATED FILTER GRILLE

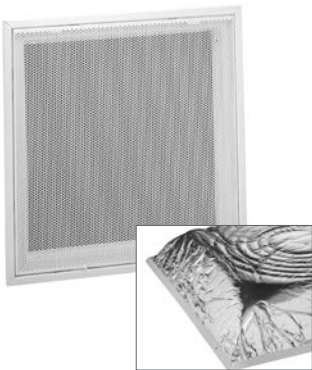


- Perforated face design
- Flush, removable face with concealed latches and hinges, can be installed in any direction
- Uses standard 1" disposable filters (not furnished)
- Bright White finish

Model	Material	Damper
TB740FF	Steel	none

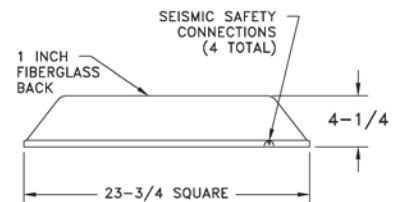


## TB740FF INS SERIES PERFORATED FILTER GRILLE W/ FIBERGLASS BACK



- Perforated face design
- Flush, removable face with concealed latches and hinges, can be installed in any direction
- Molded fiberglass back, available in R4.2 or R6
- Accepts 6" to 14" unique tab collar (800TC series) or 6" to 16" unique snap-in collar (805RC and 805PP series); also accepts standard spin-in collar
- Frame includes four seismic safety connections
- Uses standard 1" disposable filters (not furnished)
- Bright White finish

Model	Material	Damper
TB740FF INS R4.2	Steel	none
TB740FF R6	Steel	none

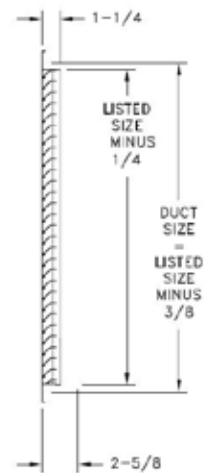


## TB280 STEEL FIXED BAR-STYLE RETURN GRILLE



- Mount flush with T-Bar ceilings
- Bright White finish

Model	Material	Damper
TB280	Steel	none

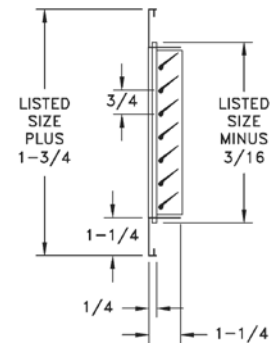


## ETB280 ALUMINUM FIXED BAR-STYLE RETURN GRILLE



- Horizontal bars at 45 °s
- Mount flush with T-Bar ceilings
- Bright White or Satin Anodized finish

Model	Material	Damper
ETB280	Extruded Alum	none

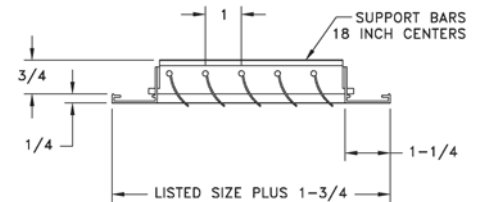


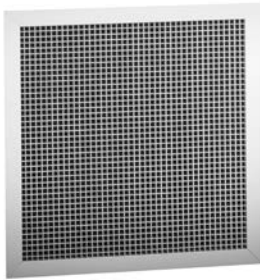
## ETB275 ALUMINUM FIXED CURVED-BLADE RETURN GRILLE



- Horizontal curved blades
- Mount flush with T-Bar ceilings
- Bright White or Satin Anodized finish

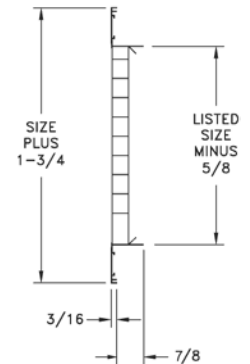
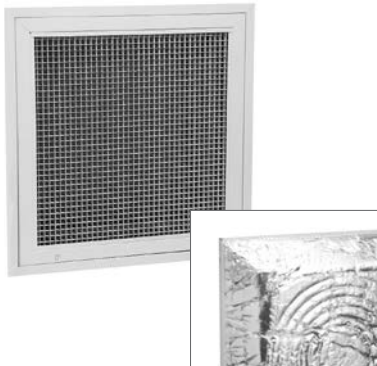
Model	Material	Damper
ETB275	Extruded Alum	none



**ETB900**  
**EGGCRATE RETURN GRILLE**


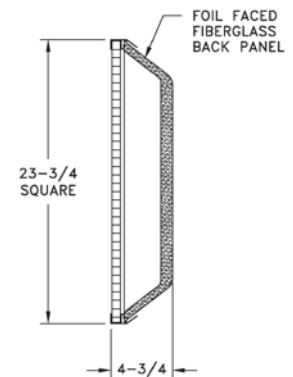
- Eggcrate style face
- Mount flush with T-Bar ceilings
- Bright White or Mill Aluminum finish

Model	Material	Damper
ETB900	Aluminum	none


**ETB900 INS**  
**EGGCRATE RETURN GRILLE WITH FIBERGLASS BACK**


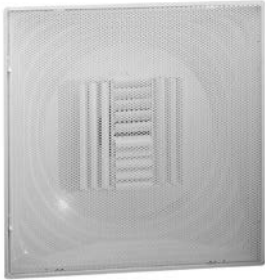
- Eggcrate style face
- R4.2 molded fiberglass back
- Accepts 6" to 14" unique tab collar (800TC series) or 6" to 16" unique snap-in collar (805RC and 805PP series); also accepts standard spin-in collar
- No steel, great for MRI rooms
- Bright White finish

Model	Material	Damper
ETB900 INS	Aluminum	none

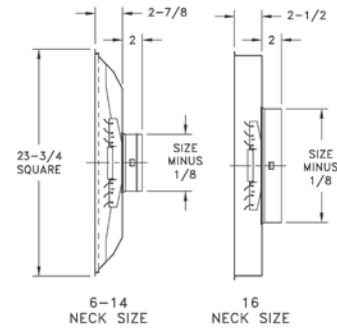




**704**  
**CURVED-BLADE PERFORATED SUPPLY**



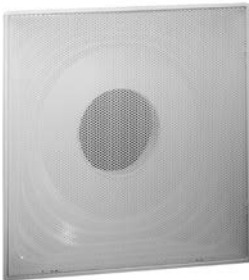
- Removable, hinged face allows for easy access to air pattern control core
- Individually-adjustable pattern deflectors factory-set at 4-way deflection; can be field-adjusted for 1, 2, 3-way air patterns
- Unique 2" high collar permits easy flex connections
- Accepts 800DO Series butterfly damper (order separately)
- Bright White finish



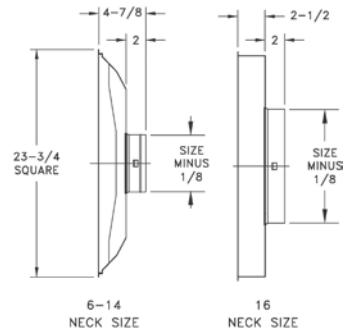
PERF SUPPLY/RETURN

Model	Material	Damper
704	Steel	none

**703**  
**CURVED-BLADE PERFORATED RETURN**

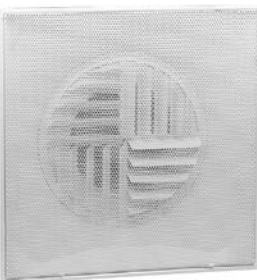


- Removable, hinged face allows for easy access to air pattern control core
- Unique 2" high collar permits easy flex connections
- Accepts 800DO Series butterfly damper (order separately)
- Bright White finish

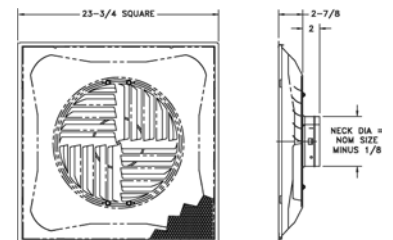


Model	Material	Damper
703	Steel	none

**706**  
**STAMPED CURVED-BLADE PERFORATED SUPPLY**



- Removable, hinged face allows for easy access to pattern control core
- Available in 6", 8", 10", 12", and 14" diameter necks
- Unique 2" high collar permits easy flex connections
- Accepts 800DO Series butterfly damper (order separately)
- Bright White finish

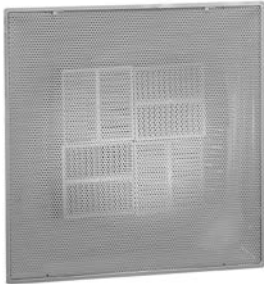


Model	Material	Damper
706	Steel	none

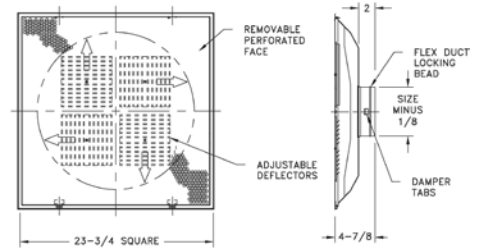


## 2100 SHALLOW BACK PERFORATED SUPPLY

PERF SUPPLY/RETURN

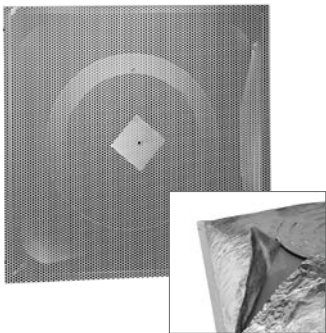


- Available in 6" to 14" collar sizes
- Face-mounted, adjustable deflectors
- Removable perforated face
- Hinged/latched face for easy access to deflector and damper
- Bright White finish

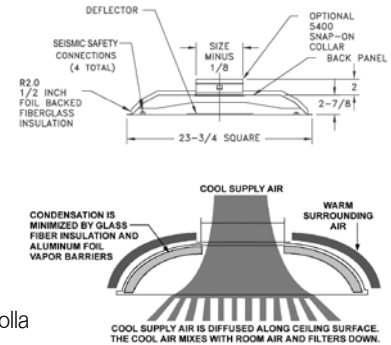


Model	Material	Damper
2100	Steel	none

## 756 PERFORATED SUPPLY W/ FIBERGLASS BLANKET

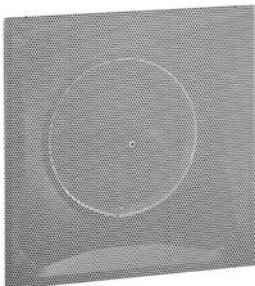


- Formed steel, black back panel
- Fiberglass insulation blanket with foil vapor barrier to minimize condensation
- Insulation prescored to accommodate collar size desired
- Accepts unique snap-in collar (805RC Series) 6" to 12" – order separately
- Available in 14" fixed collar
- Utilizes butterfly damper (800DO Series) inserted in collar
- Damper adjusted through diffuser face to allow proper air balancing
- Bright White finish

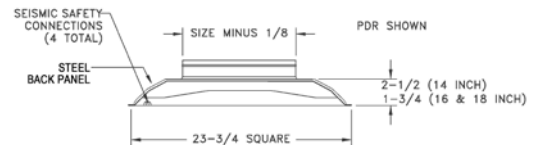


Model	Material	Damper
756	Aluminum	none

## 756RA PERFORATED RETURN GRILLE

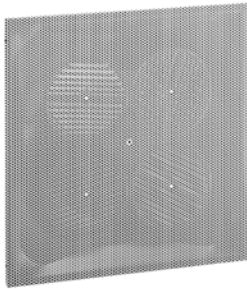


- 51% net free area
- Available with 14", 16", or 18" fixed collars
- Formed steel, black back panel
- Bright White finish

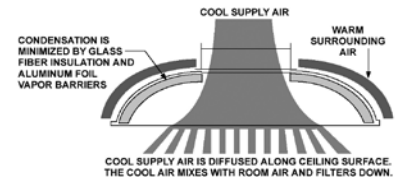
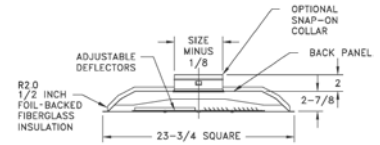


Model	Material	Damper
756RA	Steel	none

**766**  
**PERFORATED SUPPLY W/ FIBERGLASS BLANKET**



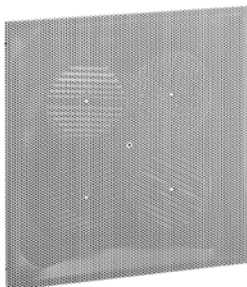
- Face adjustable deflectors
- Formed steel, black back panel
- Fiberglass insulation blanket with foil vapor barrier to minimize condensation
- Insulation prescored to accommodate collar size desired
- Accepts unique snap-in collar (805RC Series) 6" to 12" – order separately
- Available in 14" fixed collar
- Utilizes butterfly damper inserted in collar
- Damper adjusted through diffuser face to allow proper air balancing
- Bright White finish



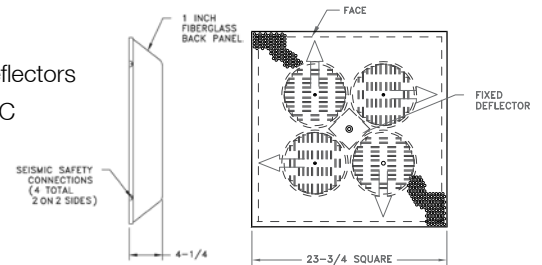
PERF SUPPLY/RETURN

Model	Material	Damper
766	Steel	none

**782SA**  
**PERFORATED SUPPLY W/ FIBERGLASS BACK**

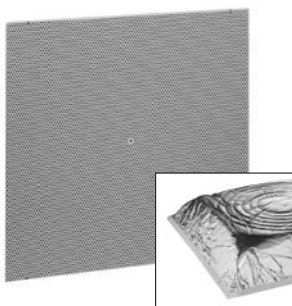


- R6 molded fiberglass back panel
- Supply with four individually-adjustable deflectors
- Accepts 6" to 14" unique tab collar (800TC series) or 6" to 16" unique snap-in collar (805RC and 805PP series); also accepts standard spin-in collar
- Bright White finish

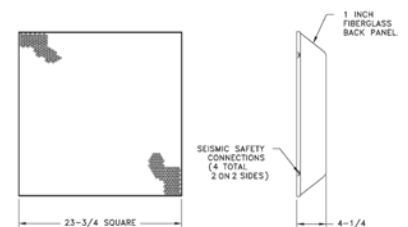


Model	Material	Damper
782SA	Steel	none

**782RA**  
**PERFORATED RETURN W/ FIBERGLASS BACK**

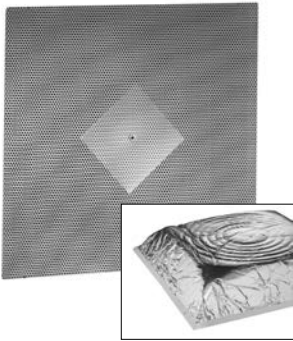


- R6 molded fiberglass back panel
- Accepts 6" to 14" unique tab collar (800TC series) or 6" to 16" unique snap-in collar (805RC and 805PP series); also accepts standard spin-in collar
- Bright White finish

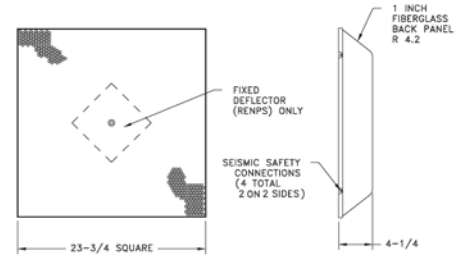


Model	Material	Damper
782RA	Steel	none

## 770 INS R6 PERFORATED SUPPLY W/ FIBERGLASS BACK

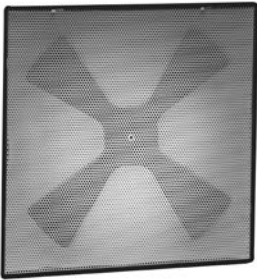


- Molded fiberglass back panel, available in R6
- Accepts 6" to 14" unique tab collar (800TC series) or 6" to 16" unique snap-in collar (805RC and 805PP series); also accepts standard spin-in collar
- Bright White finish

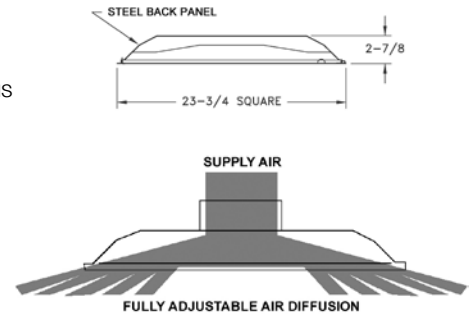


Model	Material	Damper
770 INS R6	Steel	none

## 790 REMOVABLE FACE PERFORATED SUPPLY

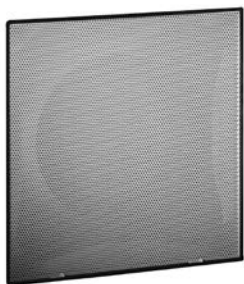


- Removable hinged face for easy access to deflectors and cleaning
- Patented adjustable deflectors provide various directional patterns
- Formed steel, black back panel
- Accepts 6" through 12" round snap in collar
- Utilizes butterfly damper in sizes 6" to 14"
- Damper adjusted through diffuser face to allow proper air balancing
- Bright White finish

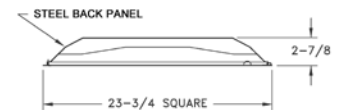


Model	Material	Damper
790	Steel	none

## 790RA REMOVABLE FACE PERFORATED RETURN

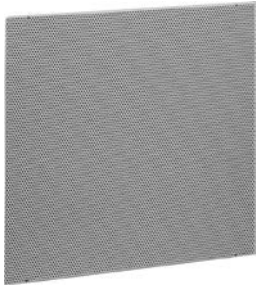


- Removable hinged face for easy cleaning
- Formed steel, black back panel
- Accepts 6" through 12" round snap in collar
- Utilizes butterfly damper in sizes 6" to 14"
- Damper adjusted through diffuser face to allow proper air balancing
- Bright White finish



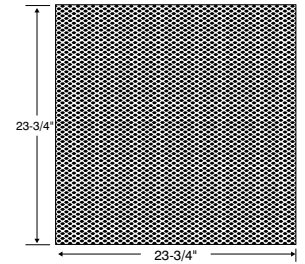
Model	Material	Damper
790RA	Steel	none

## 700P PERFORATED RETURN FACE ONLY



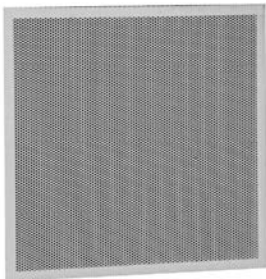
- Face only return for plenum ceilings
- Available in 24" x 12", 24" x 24" and 48" x 24" sizes
- Bright White finish

Model	Material	Damper
700P	Steel	none



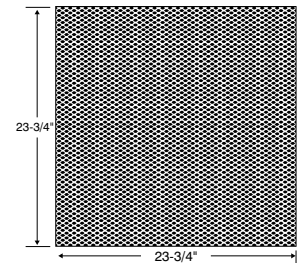
PERF SUPPLY/RETURN

## 700PF PERFORATED RETURN FACE WITH FRAME



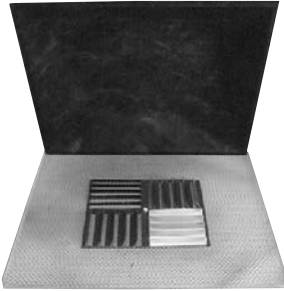
- Perforated face with frame for duct connection
- Available in 24" x 12", 24" x 24" and 48" x 24" sizes
- Neck size = Listed Size minus 2"
- Bright White finish

Model	Material	Damper
700PF	Steel	none

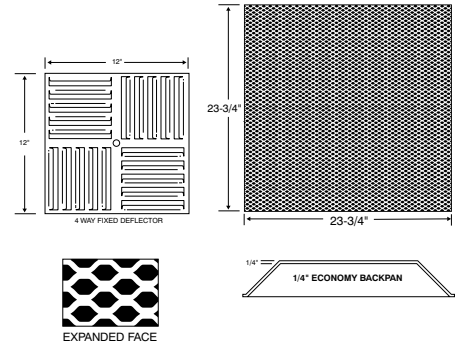




## 751 EXPANDED PERFORATED SUPPLY W/ FIBERGLASS BACK

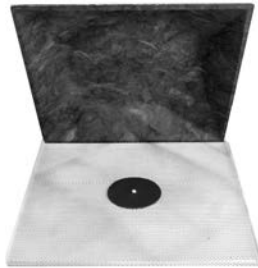


- 1/4" economy molded insulation back
- Fits 24" x 24" T-Bar Grid
- Four-way fixed deflector
- Use up to 16" spin-in or tab collar for duct connection
- Bright White finish

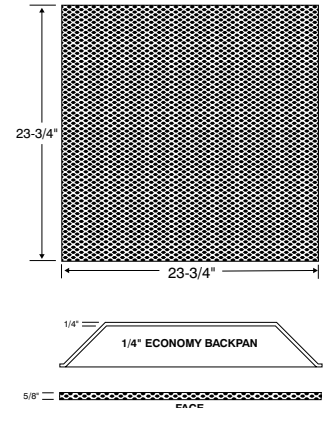


Model	Material	Damper
751	Steel	none

## 752 EXPANDED PERFORATED SUPPLY W/ FIBERGLASS BACK

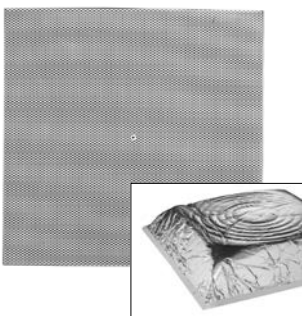


- 1/4" economy molded insulation back
- 6" (360 °) deflector disc
- Fits 24" x 24" T-Bar Grid
- Use up to 16" spin-in or tab collar for duct connection
- Bright White finish

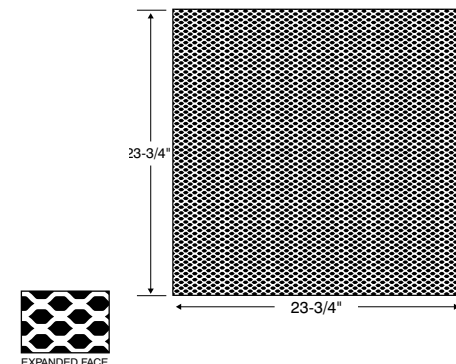


Model	Material	Damper
752	Steel	none

## 762A EXPANDED PERFORATED SUPPLY W/ FIBERGLASS BACK

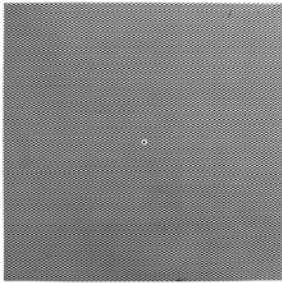


- R6 molded insulation back
- 6" (360 °) deflector disc
- Fits 24" x 24" T-Bar Grid
- Use up to 16" spin-in or tab collar for duct connection
- Bright White finish



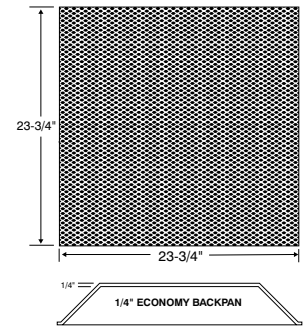
Model	Material	Damper
762A	Steel	none

## 750RA EXPANDED PERFORATED RETURN W/ FIBERGLASS BACK

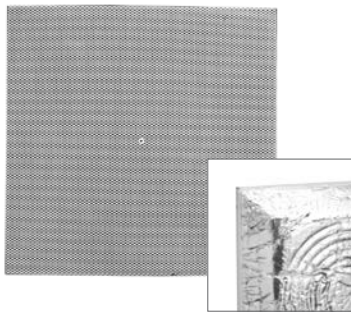


- 1/4" economy molded insulation back
- Fits 24" x 24" T-Bar Grid
- Use up to 16" spin-in or tab collar for duct connection
- Bright White finish

Model	Material	Damper
750RA	Steel	none

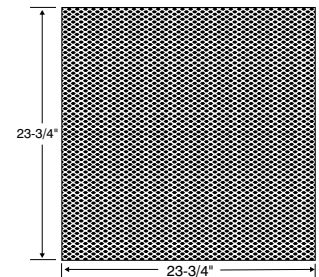


## 760A EXPANDED PERFORATED RETURN W/ FIBERGLASS BACK

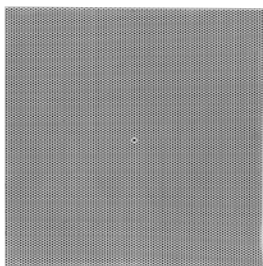


- R6 molded insulation back
- Fits 24" x 24" T-Bar Grid
- Use up to 16" spin-in or tab collar for duct connection
- Bright White finish

Model	Material	Damper
760A	Steel	none

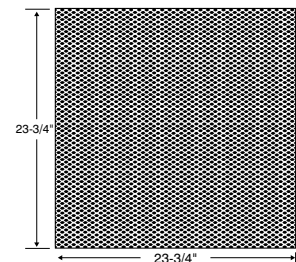


## 700EP EXPANDED PERFORATED FACE ONLY



- Expanded perforated face only
- Bright White finish

Model	Material	Damper
700EP	Steel	none



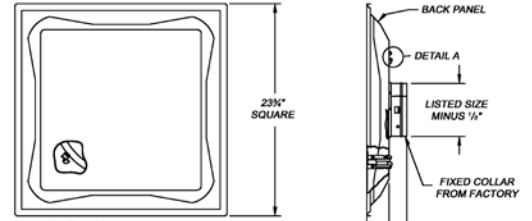
EXPAN SUPPLY/RETURN

## 1300FP SERIES PLATE DIFFUSER



- Fits 24" x 24" T-Bar Grid
- 1300FP, 1300FP INS, 1300FP INSL R6 - Fixed 2" collars attached
- 1300FP INS - R4.2 molded insulation back
- 1300UFP R6, 1300FP INSL R6 - R6 molded insulation back
- 1300UFP R6 use spin-in or tab collar for duct connection
- Bright White finish

Model	Material	Damper
1300FP	Steel	none
1300FP INS	Steel	none
1300FP INSL R6	Steel	none
1300UFP R6	Steel	none



### Removing Face Plate

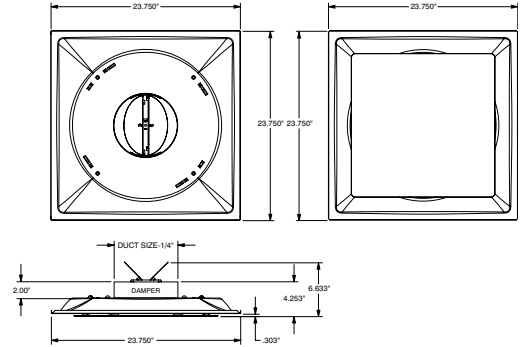
1. Remove black push pins from hook.
2. Push the face plate towards the back panel. This will disengage the hooks from the backside panel slots (Detail A).
3. Rotate the face plate counterclockwise, and pull plate away from back panel and hooks through the slots.



## 1301FP SERIES PLATE DIFFUSER WITH DAMPER

- Fits 24" x 24" T-Bar Grid
- Fixed 2" collars attached with butterfly damper
- 1301FP INS - R4.2 molded insulation back

Model	Material	Damper
1301FP	Steel	Butterfly
1301FP INS	Steel	Butterfly

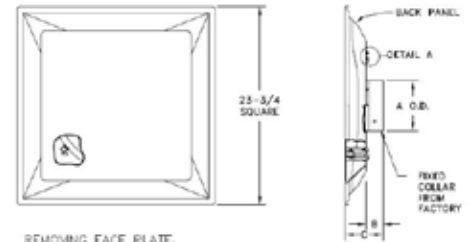


FIXED PATTERN DIFFUSER

## A1300FP SERIES ALUMINUM PLATE DIFFUSER

- Heavy gauge aluminum, fits 24" x 24" T-Bar Grid
- 6", 8", 10", 12" and 14" collars
- Constructed of 100% aluminum allows for MRI applications
- Can be used with 24 x 24 T-Bar frame for drywall applications

Model	Material	Damper
A1300FP 06 CW	Aluminum	none
A1300FP 08 CW	Aluminum	none
A1300FP 10 CW	Aluminum	none
A1300FP 12 CW	Aluminum	none
A1300FP 14 CW	Aluminum	none



### REMOVING FACE PLATE

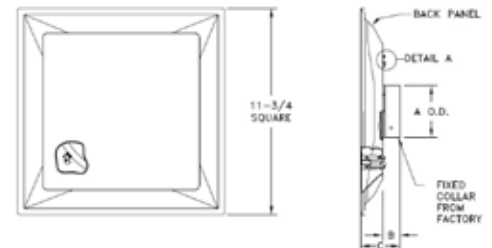
1. PUSH THE FACE PLATE TOWARDS THE BACK PANEL. THIS WILL DISengage THE HOOKS FROM THE BACKSIDE PANEL SLOTS (DETAIL A).
2. ROTATE THE FACE PLATE COUNTERCLOCKWISE AND PULL PLATE AWAY FROM BACK PANEL AND HOOKS THROUGH THE SLOTS.



## 1300FP-12 SERIES 1 X 1 PLATE DIFFUSER

- Constructed of heavy gauge steel for 1x1 T-Bar Grid
- 6", 7", and 8" collars
- Can be used with 12x12 T-Bar frame for drywall applications

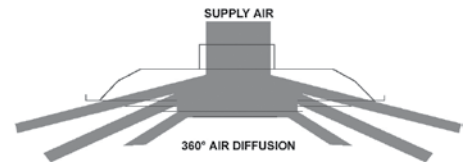
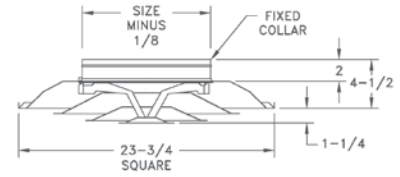
Model	Material	Damper
1300FP-12 06 CW	Steel	none
1300FP-12 07 CW	Steel	none
1300FP-12 08 CW	Steel	none



## 1300 SERIES 3-CONE FACE DIFFUSER

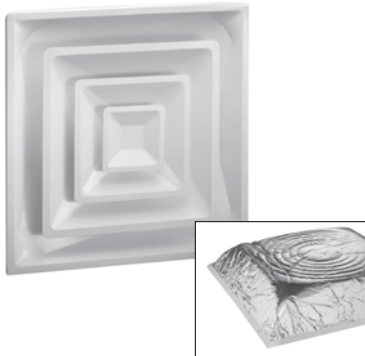


- Fits 24" x 24" T-Bar Grid
- Fixed 2" collars attached
- R4.2 molded insulation back 1300 INS
- R6 molded insulation back 1300 INSL R6
- Bright White finish

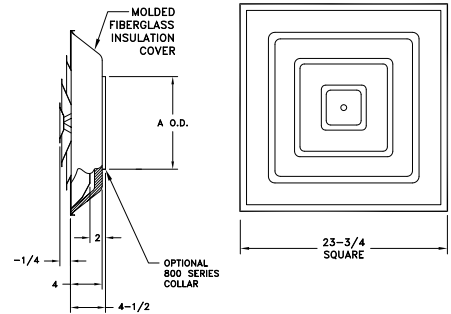


Model	Material	Damper
1300	Steel	none
1300 INS	Steel	none
1300 INSL R6	Steel	none

## 1300U R6 3- CONE FACE DIFFUSER

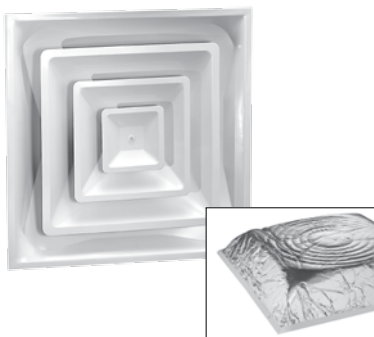


- Provides high air volume delivery
- 360° air diffusion
- Fixed core
- Formed back panel
- Insulation prescored to accommodate collar size desired
- R6 molded fiberglass back use 805RC with 805PP
- Utilizes butterfly damper (800DO Series) inserted in collar
- 1302U R6 uses spin-in or tab collar for duct connection
- Bright White finish

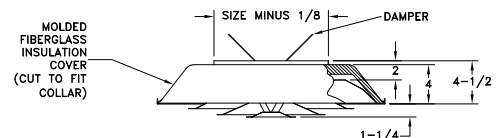
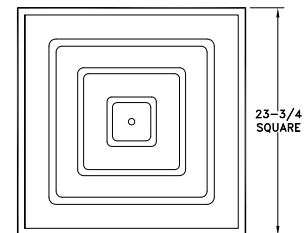


Model	Material	Damper
1300U R6	Steel	none

## 1301 SERIES 3-CONE FACE DIFFUSER W/ DAMPER



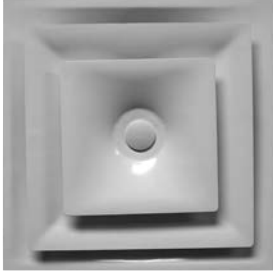
- Fits 24" x 24" T-Bar Grid
- Fixed 2" collars attached and butterfly damper
- R4.2 molded insulation back 1301 INS
- R6 molded insulation back 1301 INSL R6
- Bright White finish



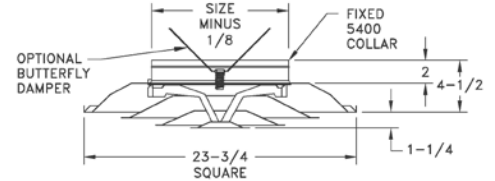
Model	Material	Damper
1301	Steel	Butterfly
1301 INS	Steel	Butterfly
1301 INSL R6	Steel	Butterfly



## 1302-12 2-CONE FACE DIFFUSER



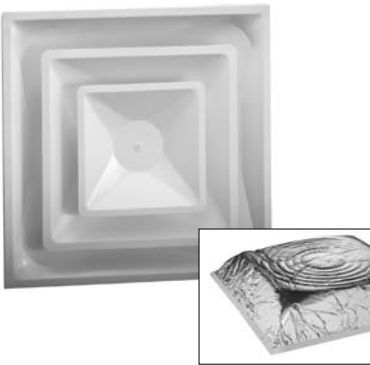
- 360° air diffusion
- Two-cone fixed core
- Fixed collar
- Removable plug for damper
- Used with Plaster frame for surface-mount applications
- Accepts Model 800RD Radial Damper
- Bright White finish



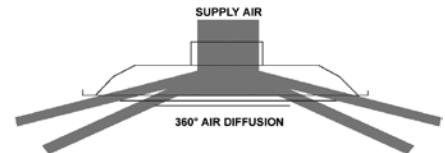
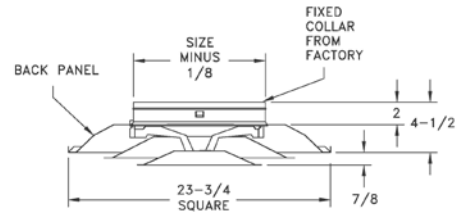
Model	Material	Damper
1302-12	Steel	none

## 1302 SERIES 2-CONE FACE DIFFUSER

FIXED PATTERN DIFFUSER

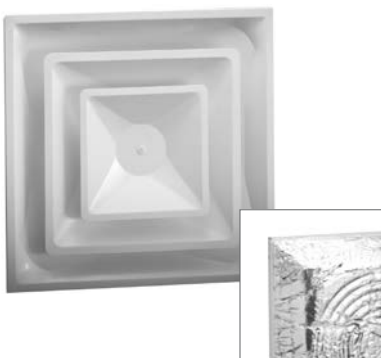


- Provides high air volume delivery
- 360° air diffusion
- Two-cone fixed core
- Fixed collar 6" to 14"
- For 1302U R6, use 805RC or 800TC collar
- Unique 2" high collar permits easy flex connections
- Utilizes butterfly damper (800DO Series) inserted in collar; order separately
- Damper adjustable through face
- Formed back panel
- 1302 INS, 1302 INSL R6, 1302U R6 features insulated back
- Bright White finish

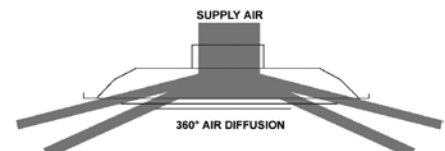
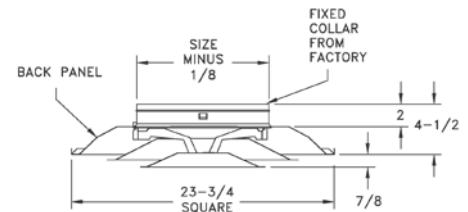


Model	Material	Damper
1302	Steel	none
A1302	Aluminum	none
1302 INS	Steel	none
1302 INSL R6	Steel	none
1302U R6	Steel	none

## 1303 SERIES 2-CONE FACE DIFFUSER W/ DAMPER

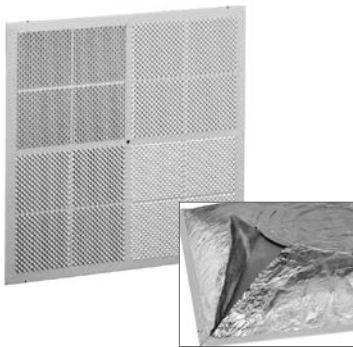


- Fits 24" x 24" T-Bar Grid
- Fixed 2" collars attached and butterfly damper
- R4.2 molded insulation back 1303 INS
- R6 molded insulation back 1303 INSL R6
- Bright White finish

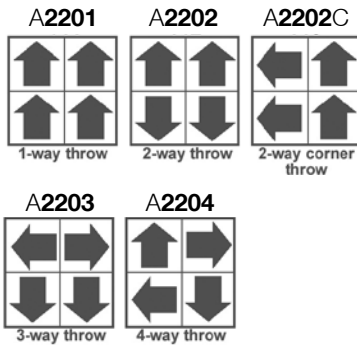
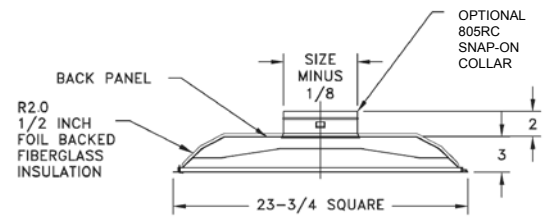


Model	Material	Damper
1303	Steel	Butterfly
1303 INS	Steel	Butterfly
1303 INSL R6	Steel	Butterfly

## A2200 RENOVATOR SERIES DIFFUSER



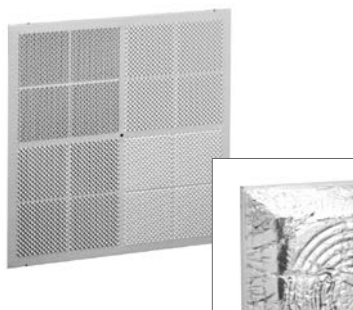
- Unique deflector apertures
- Air distributed in thin layers along ceiling surface allowing optimum mixing of conditioned air
- Formed galvanized steel back panel
- Frame includes four seismic safety connections
- Back plate covered with glass fiber insulation to reduce condensation
- Aluminum foil vapor barrier protects insulation from harmful effects of condensation
- Insulation prescored to accommodate collar size desired
- Accepts snap-in collar (805RC Series) (6" to 12")
- 14" collar is factory-installed
- Utilizes butterfly damper (800DO Series) inserted in collar
- Damper adjusted through diffuser face to allow proper air balancing
- Bright White finish



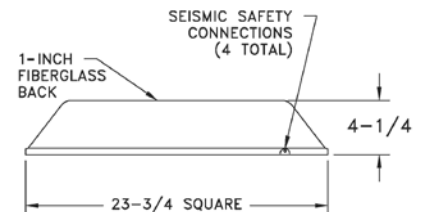
Model	Material	Damper
See Diagram to Left	Aluminum	none

FIXED PATTERN DIFFUSER

## A2204 SERIES RENOVATOR SERIES DIFFUSER W/ FIBERGLASS BACK

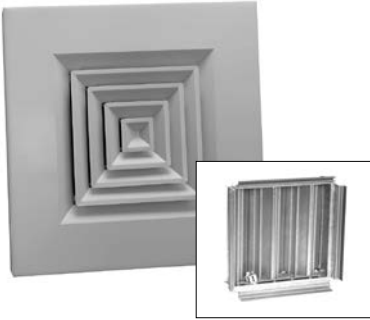


- Unique deflector apertures
- Molded fiberglass back panel, available in R6
- Accepts 6" to 14" unique tab collar (800TC series) or 6" to 16" unique snap-in collar (805RC and 805PP series); also accepts standard spin-in collar
- Frame includes four seismic safety connections
- Bright White finish

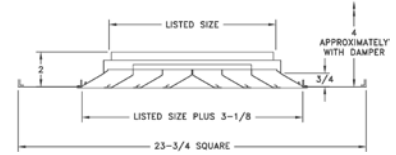


Model	Material	Damper
A2204 INS	Aluminum	none
A2204 INS R6	Aluminum	none

## TB1060 SERIES STEEL T-BAR DIFFUSERS



- Available in one, two, three & four-way deflections
- Removable core
- Bright White or Satin Anodized finish
- Utilizes TB1060 damper

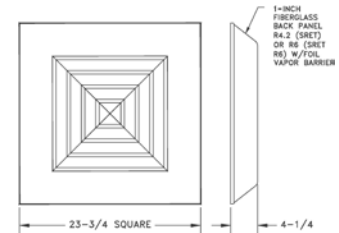


Model	Material	Damper	Air Pattern
TB1061	Steel	optional	1 Way
TB1062	Steel	optional	2 Way
TB1063	Steel	optional	3 Way
TB1064	Steel	optional	4 Way
TB1060	Steel	Is Damper	

## TB1064 SERIES STEEL T-BAR DIFFUSERS W/ FIBERGLASS BACK



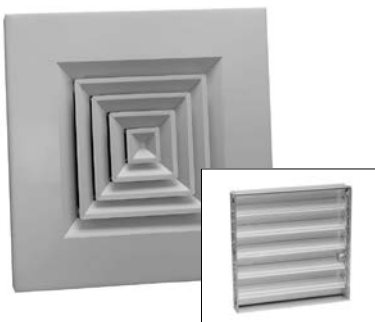
- Standard TB1064INS features R4.2 molded fiberglass back (R6 available with Model TB1064R6)
- Accepts 6" to 14" unique tab collar (800TC series) or 6" to 16" unique snap-in collar (805RC and 805PP series); also accepts standard spin-in collar
- 15" by 15" removable core
- Bright White finish



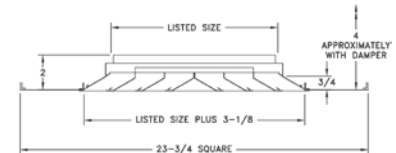
Model	Material	Damper
TB1064INS	Steel	none
TB1064R6	Steel	none

SURFAIRE/RENOVATOR

## ETB1060 SERIES ALUMINUM T-BAR DIFFUSERS



- Available in one, two, three & four-way deflections
- Removable core
- Bright White or Satin Anodized finish

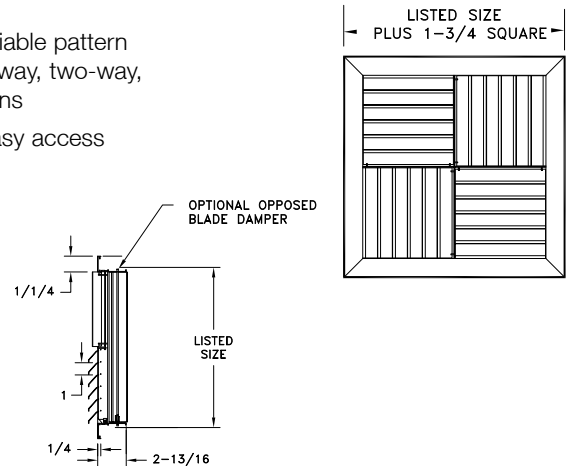


Model	Material	Damper	Air Pattern
ETB1061	Extruded Alum	optional	1 Way
ETB1062	Extruded Alum	optional	2 Way
ETB1063	Extruded Alum	optional	3 Way
ETB1064	Extruded Alum	optional	4 Way
ERD	Extruded Alum	Is Damper	

## ETB464 SERIES ALUMINUM MODULAR DIFFUSER



- Four modular cores provide variable pattern adjustments of four-way, three-way, two-way, or one-way horizontal air patterns
- Removable modules provide easy access to damper
- Flat (extended) margin
- 22" x 22" collar
- Fixed fins
- Bright White finish

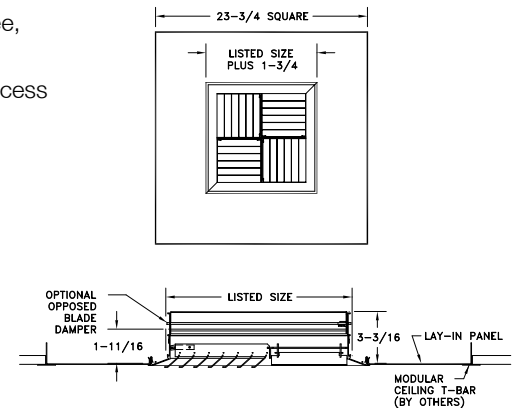


Model	Material	Damper
ETB464	Extruded Alum	none
ETB464O	Extruded Alum	OBD

## ETB464B SERIES ALUMINUM MODULAR CORE DIFFUSER



- Modular cores provide one, two, three, and four-way air patterns
- Removable modules provide easy access to duct-mounted damper
- Stepdown margin
- Collar sized 6X6 - 20X20
- Fixed fins
- Bright White finish

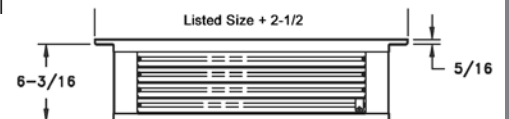


Model	Material	Damper
ETB464B	Extruded Alum	none
ETB464BO	Extruded Alum	OBD

## TB1100 4-WAY CEILING DIFFUSER BOX



- Adjustable dampers provide directional airflow or closure capabilities
- Mounting holes provided for easy installation
- Heavy-duty steel construction
- For 24x24 T-Bar installation
- Bright White finish

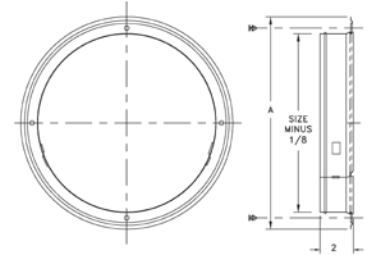


Model	Material	Damper
TB1100	Steel	Adjustable

## 805RC SERIES COLLAR RING\*



- Unique snap-in design for easy installation
- 2" high collar permits easy flex connections
- Bead on collar improves the strength and provides retention for flexible duct connections
- Accepts 800DO series dampers



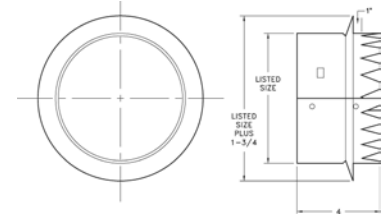
Model	Material	Damper
805RC	Steel	none

\*14" collar is mounted to diffuser at factory for steel back panels only

## 800TC TAB COLLAR



- Galvanized steel construction
- For use with fiberglass-backed ceiling diffusers
- Tabbed for easy installation
- Accepts 800DO Series damper

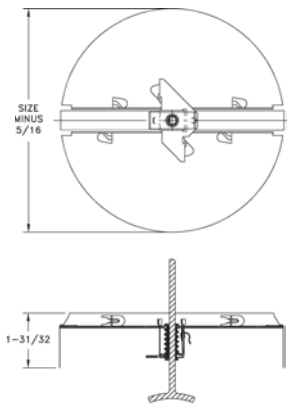


Model	Material	Damper
800TC	Steel	none

## 800DO BUTTERFLY DAMPER

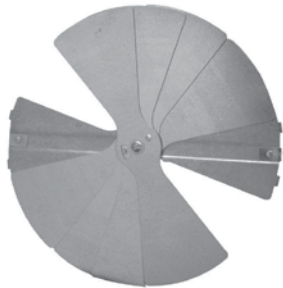


- Adjustable butterfly damper with removable handle (included)
- For use with 805RC and 800TC Series collars
- Brown finish



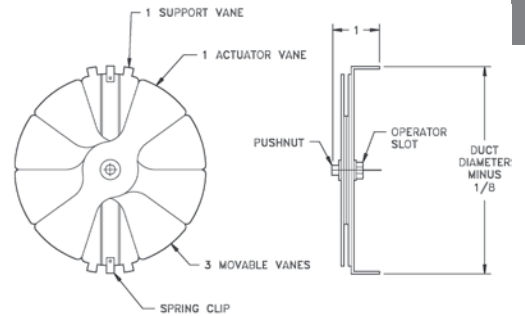
Model	Material	Damper
800DO	Steel	Is a Damper

## 800RD RADIAL DAMPER



- Face-adjustable
- For use with round neck diffusers
- Mill finish

Model	Material	Damper
800RD	Steel	Is a Damper



## 805PP PUSH PINS



- Attaches 805RC collar to molded fiberglass back for the following products:
- 1-1/4" long
- 1-1/4" diameter head
- Install from underside of molded insulation into collar

Model	Material	Damper
805PP	Plastic	none

## PLENUM ONLY SERIES HIGH PROFILE MOLDED FIBERGLASS BACK

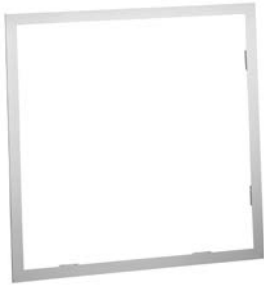


- These fiberglass backs are sold separately for field installation. (Glue or double sided tape recommended)
- Available in R4.2, R6 or R8
- High profile recommended for T-bar diffusers without steel back panel
- Accepts 6"-14" unique tab collars (800TC series) or 6"-18" unique snap in collar (805-RC & 805PP series)
- Accepts standard spin-in collar
- Bonded foil vapor barrier minimizes condensation
- Deep plenum cavity improves performance
- Fiberglass back meets or exceeds the following tests and ratings:  
Meets 25/50 tested in accordance with A.S.T.M. E84 (UL7230)  
UL181 Erosion and Impact Test, and will not support microbial growth

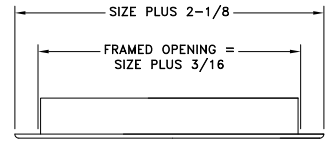
\*Attachment of molded fiberglass back and 805RC collar requires 805PP Push Pins. Pins are to be pushed through underside of insulation into collar.

Model	Material
Plenum Only R4.2	Insulation
Plenum Only R6	Insulation
Plenum Only R8	Insulation

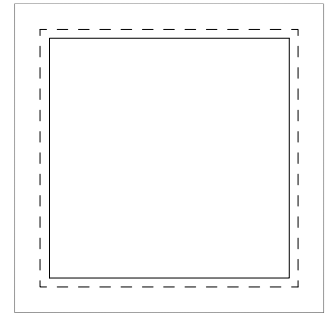
**DRYWALL FRAME**  
T-BAR FRAME FOR DRYWALL



- Permits installation of standard T-Bar diffusers in a plaster ceiling
- Accepts standard T-Bar diffusers
- Bright White finish



Model	Material	Damper
Plaster Frame	Aluminum	none

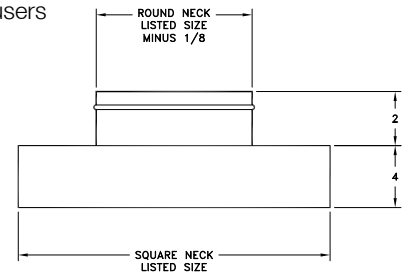


**810SR**  
SQUARE-TO-ROUND TRANSITION



- Allows flex duct installation with square neck diffusers
- Round collar accepts 800DO butterfly damper
- Unique 2" high collar
- For use with TB1060 & ETB1060 Series

Model	Material	Damper
810SR	Steel	none



**WAD**  
WARM AIR DAMPER



- Designed for installation at branch takeoffs
- Heavy spring holds damper securely

Model	Material	Damper
WAD	Steel	none



**Selkirk Corporation**

5030 Corporate Exchange Blvd.  
Grand Rapids, MI 49512

**P** (800) 992-VENT (8368)

**F** (877) 393-4145

**Selkirk Canada Corporation**

375 Green Road  
Stoney Creek, Ontario  
Canada L8E 4A5

**P** (888) SELKIRK (735-5475)

**F** (866) 835-9624

[www.AirMate.com](http://www.AirMate.com)

[www.selkirkcorp.com](http://www.selkirkcorp.com)