



TOOL, EQUIPMENT & SAFETY
NEW PRODUCT
SUPPLEMENT
2018





We've been your proud
CANADIAN PARTNER
for over 100 years

Simply the **BEST TOOLS AND
SAFETY EQUIPMENT**
so you can work with confidence



**RIGOROUSLY
TESTED** to meet all
industry standards

Available from our warehouses and
distribution partners across Canada,
we are **EVERYWHERE
YOU NEED US TO BE**

Engineered with the
Canadian professional
worker's **SAFETY**
in mind

TABLE OF CONTENTS

JET	
Chrome / Impact Sockets.....	5-6
Impact Sockets / Accessories.....	7
Wrenches.....	8-9
Air Line Tools.....	10-11
Impact Wrench / Flap Discs / Hacksaw Blades.....	12
Chain Hoists / Creeper.....	13
ITC	
Adjustable Wrenches / Impact Socket Sets.....	14
STARTECH	
LED Work Lights / Extension Cords.....	15
STRONGARM	
Air/Hydraulic Truck Jack.....	16
2xP Floor Jacks.....	17
SELLSTROM	
Knee Protection.....	18
Welding Helmets.....	20
Welding Helmet / Replacement Parts.....	21
PEAKWORKS	
Harnesses / Lanyards / SRL.....	22
Belts / Lanyards.....	23
PIONEER	
Hi-Viz Apparel.....	24
Hi-Viz Apparel / Work Wear.....	25-27
Flame and Arc Resistant Apparel.....	28
Coveralls / Gloves.....	29
Traffic Safety.....	30-32
Hi-Viz Apparel / Traffic Safety.....	33

ICON LEGEND

For Steel.....		Water Resistant.....	
For Stainless Steel.....		Peg Hangable.....	
For Aluminum.....		For Women.....	
Super Heavy Duty.....		Quick Drying.....	
Chrome Molybdenum.....		Oil Resistant.....	
Chrome Vanadium.....		Chemical Resistant.....	
12 Points.....		Cut Resistant.....	
6 Points.....		Thermal.....	
Arc Resistant.....		ARC Rating.....	
Flame Resistant.....		Arc Thermal Performance Value.....	



JET Industrial Program

Jumbo 1-1/2" & 2-1/2" DR Impact Sockets

Retainer Rings & Pins

Offset & Flat Striking Wrenches

Box End Structural Wrenches



JET is pleased to announce a major expansion into **Large Drive Impact Sockets** and new sizes and styles of **Striking and Structural Wrenches!** Built of the finest quality materials, using the

latest in heat treatment techniques, and backed by JET's satisfaction guarantee, these tools are made for the toughest applications found in Canadian industries. And unlike many competitors, we stock these products right here at home! These **191 New Items** join **88 others** introduced last fall to give our customers more reason than ever to look to JET for their heaviest duty applications! See your local distributor or visit surewerx.com for more details.

JUMBO 1" DR CHROME SOCKETS

Metric Regular - 12 Point

* DO NOT USE ON POWER TOOLS

CrV
12



Prod. No.	Size	Prod. No.	Size
674635	35 mm	674660	60 mm
674636	36 mm	674663	63 mm
674638	38 mm	674665	65 mm
674641	41 mm	674667	67 mm
674646	46 mm	674670	70 mm
674650	50 mm	674671	71 mm
674654	54 mm	674675	75 mm
674655	55 mm	674677	77 mm
674658	58 mm	674680	80 mm

1" DR HEAVY DUTY IMPACT SOCKETS

Metric Regular - 6 Point

CrMo
6



Prod. No.	Size	Prod. No.	Size
684519	19 mm	684541	41 mm
684522	22 mm	684546	46 mm
684524	24 mm	684550	50 mm
684526	26 mm	684554	54 mm
684527	27 mm	684555	55 mm
684528	28 mm	684558	58 mm
684529	29 mm	684560	60 mm
684530	30 mm	684563	63 mm
684532	32 mm	684565	65 mm
684533	33 mm	684567	67 mm
684535	35 mm	684570	70 mm
684536	36 mm	684575	75 mm
684538	38 mm	684580	80 mm

1" DR HEAVY DUTY IMPACT SOCKETS

SAE/Metric Deep - 6 Point

CrMo
6



- Highest quality 4140 Chrome Molybdenum steel provides strength and durability for the biggest, toughest jobs
- 6 Point Torque-Drive® sockets contact fasteners on the flats for increased torque and reduced corner rounding, and allow up to 20% more torque
- Clear laser markings for easy identification are backed up by permanently stamped sizes

Prod. No.	Size	Prod. No.	Size
684289	2-13/16"	684624	24 mm
684290	2-7/8"	684626	26 mm
684291	2-15/16"	684627	27 mm
684292	3"	684628	28 mm
684293	3-1/8"	684629	29 mm
684294	3-1/4"	684630	30 mm
684295	3-3/8"	684632	32 mm
684296	3-1/2"	684633	33 mm
684297	3-5/8"	684635	35 mm
684298	3-3/4"	684636	36 mm
684299	3-7/8"	684638	38 mm
684201	4"	684641	41 mm
684202	4-1/8"	684646	46 mm
684203	4-1/4"	684650	50 mm
684204	4-1/2"	684655	55 mm
		684660	60 mm
		684665	65 mm
		684670	70 mm
		684675	75 mm
		684680	80 mm



1-1/2" DR HEAVY DUTY IMPACT SOCKETS

SAE Regular - 6 Point

- Highest quality 4140 Chrome Molybdenum steel provides strength and durability for the biggest, toughest jobs
- 6 Point Torque-Drive® sockets contact fasteners on the flats for increased torque and reduced corner rounding, and allow up to 20% more torque
- Clear laser markings for easy identification are backed up by permanently stamped sizes



SAE Deep - 6 Point

- Highest quality 4140 Chrome Molybdenum steel provides strength and durability for the biggest, toughest jobs
- 6 Point Torque-Drive® sockets contact fasteners on the flats for increased torque and reduced corner rounding, and allow up to 20% more torque
- Clear laser markings for easy identification are backed up by permanently stamped sizes



Prod. No.	Size
685121	1-5/16"
685122	1-3/8"
685123	1-7/16"
685124	1-1/2"
685125	1-9/16"
685126	1-5/8"
685127	1-11/16"
685128	1-3/4"
685129	1-13/16"
685130	1-7/8"
685131	1-15/16"
685132	2"
685133	2-1/16"
685134	2-1/8"
685135	2-3/16"
685136	2-1/4"
685137	2-5/16"
685138	2-3/8"
685139	2-7/16"
685140	2-1/2"
685141	2-9/16"
685142	2-9/16"
685143	2-11/16"
685144	2-3/4"
685145	2-13/16"
685146	2-7/8"
685147	2-15/16"

Prod. No.	Size
685148	3"
685149	3-1/16"
685150	3-1/8"
685151	3-3/16"
685152	3-1/4"
685153	3-5/16"
685154	3-3/8"
685155	3-7/16"
685156	3-1/2"
685157	3-9/16"
685158	3-5/8"
685159	3-11/16"
685160	3-3/4"
685161	3-13/16"
685162	3-13/16"
685163	3-15/16"
685164	3-15/16"
685165	4"
685166	4-1/8"
685167	4-3/16"
685168	4-1/4"
685169	4-5/16"
685170	4-3/8"
685171	4-7/16"
685172	4-1/2"
685174	4-5/8"
685176	4-3/4"
685180	5"

Prod. No.	Size
685221	1-5/16"
685222	1-3/8"
685223	1-7/16"
685224	1-1/2"
685225	1-9/16"
685226	1-5/8"
685227	1-11/16"
685228	1-3/4"
685229	1-13/16"
685230	1-7/8"
685231	1-15/16"
685232	2"
685233	2-1/16"
685234	2-1/8"
685235	2-3/16"
685236	2-1/4"
685237	2-5/16"
685238	2-3/8"
685239	2-7/16"
685240	2-1/2"
685241	2-9/16"
685242	2-5/8"
685243	2-11/16"
685244	2-3/4"
685245	2-13/16"
685246	2-7/8"
685247	2-15/16"

Prod. No.	Size
685248	3"
685249	3-1/16"
685250	3-1/8"
685251	3-3/16"
685252	3-1/4"
685253	3-5/16"
685254	3-3/8"
685255	3-7/16"
685256	3-1/2"
685257	3-9/16"
685258	3-5/8"
685259	3-11/16"
685260	3-3/4"
685261	3-13/16"
685262	3-7/8"
685263	3-15/16"
685264	4"
685265	4-1/16"
685266	4-1/8"
685267	4-3/16"
685268	4-1/4"
685269	4-5/16"
685270	4-3/8"
685271	4-7/16"
685272	4-1/2"
685274	4-5/8"
685276	4-3/4"

2-1/2" DR HEAVY DUTY IMPACT SOCKETS

SAE Regular - 6 Point

- Highest quality 4140 Chrome Molybdenum steel provides strength and durability for the biggest, toughest jobs
- 6 Point Torque-Drive® sockets contact fasteners on the flats for increased torque and reduced corner rounding, and allow up to 20% more torque
- Clear laser markings for easy identification are backed up by permanently stamped sizes



Prod. No.	Size	Prod. No.	Size
685514	1-3/4"	685535	4"
685515	1-7/8"	685536	4-1/8"
685516	2"	685537	4-1/4"
685517	2-1/8"	685538	4-3/8"
685518	2-1/4"	685539	4-1/2"
685519	2-3/8"	685540	4-5/8"
685522	2-5/8"	685541	4-3/4"
685523	2-3/4"	685542	4-7/8"
685525	2-15/16"	685543	5"
685526	3"	685544	5-1/8"
685527	3-1/8"	685545	5-1/4"
685528	3-1/4"	685548	5-1/2"
685529	3-3/8"	685549	5-5/8"
685530	3-7/16"	685550	5-3/4"
685531	3-1/2"	685556	6-1/2"
685532	3-5/8"	685559	6-7/8"
685533	3-3/4"	685562	7-1/4"
685534	3-7/8"	685565	7-5/8"
		685568	8"



IMPACT SOCKET ACCESSORIES

Ring and Pin Sets

- Safely secures sockets to any impact wrench featuring through hole in the anvil
- A must for working at heights
- Hardened steel pin with synthetic rubber ring
- Sold in sets only



Prod. No.	Description
689901	3/4" Ring & Pin Set 3/4" to 1-15/16" / 19 mm to 46 mm
689902	3/4" Ring & Pin Set 2" to 2-1/2" / 50 mm
689903	1" Ring & Pin Set 3/4" to 2-3/4" / 19 mm to 70 mm
689904	1" Ring & Pin Set 2-13/16" to 4-1/2" / 71 mm to 80 mm
689905	1-1/2" Ring & Pin Set 1-3/16" to 3-11/16"
689906	1-1/2" Ring & Pin Set 3-3/4" to 5"
689907	2-1/2" Ring & Pin Set 3" to 7-1/8"
689908	2-1/2" Ring & Pin Set 7-1/4" to 8"

1-1/2" DR Accessories



Prod. No.	Description
685001	1-1/2" x 8" Impact Extension
685004	1-1/2" F x 1" M Impact Socket Adapter
685007	1-1/2" Impact Universal Joint
684953	1" F x 1-1/2" M Impact Socket Adapter



JUMBO WRENCHES



Metric Jumbo - Combination

- Drop forged S45C alloy steel
- Curved shaft edges ensure maximum user comfort
- See our catalogue or visit surewerx.com for our complete range of SAE Jumbo Wrenches

Prod. No.	Size	Prod. No.	Size
700580	35 mm	700945	55 mm
700581	36 mm	700950	60 mm
700583	38 mm	700955	65 mm
700586	41 mm		
700591	46 mm		
700595	50 mm		

STRUCTURAL WRENCHES



SAE - Box End Style

12

- Drop forged high carbon steel resists impact
- Heat treated for maximum strength
- Offset design allows clearance over work
- 12 point box end design allows for twice the number of positions for improved indexing
- Box end wrenches are the safer alternative whenever their use is possible
- Evenly tapered round bar stock allows use as an aligning bar and will not bind in holes
- Black oxide finish resists corrosion
- Meets US Government standard GGG-W-636E
- See our catalogue or visit surewerx.com for our complete range of open end structural wrenches

Prod. No.	Size	Prod. No.	Size
719174	15/16"	719182	1-7/16"
719176	1-1/16"	719185	1-5/8"
719177	1-1/8"	719188	1-13/16"
719179	1-1/4"	719191	2"

STRIKING WRENCHES



Metric - Offset Style

12

- Drop forged high carbon steel resists impact
- Heat treated for maximum strength
- Offset design allows clearance over work and raises striking surface above ground level
- 12 point design allows for twice the number of positions for improved indexing
- Black oxide finish resists corrosion
- Meets US Government standard GGG-W-636E and ANSI B107.100-2010
- See our catalogue or visit surewerx.com for our complete range of SAE offset striking wrenches

Prod. No.	Size	Prod. No.	Size
715256	32 mm	715278	54 mm
715260	36 mm	715279	55 mm
715262	38 mm	715281	57 mm
715265	41 mm	715284	60 mm
715267	43 mm	715289	65 mm
715270	46 mm	715294	70 mm
715274	50 mm	715299	75 mm
715275	51 mm		



SAE - Flat Style

12

- Drop forged high carbon steel resists impact
- Heat treated for maximum strength
- Flat design gets into tight spaces where offset wrenches cannot reach
- 12 point design allows for twice the number of positions for improved indexing
- Black oxide finish resists corrosion
- Meets US Government standard GGG-W-636E and ANSI B107.100-2010

Prod. No.	Size	Prod. No.	Size
715302	1-1/16"	715315	1-7/8"
715305	1-1/4"	715317	2"
715308	1-7/16"	715321	2-1/4"
715309	1-1/2"	715323	2-3/8"
715311	1-5/8"		
715314	1-13/16"		

AIR LINE TOOLS

PLUGS

- .125" tip
- Comply with ANSI T3.20.14 dimensions
- Made from zinc-plated steel to prevent rust
- Max. working pressure: 200 PSI
- Air flow: 50 SCFM at 100 psig inlet with 10 psig pressure drop
- Operating temperature range: -40°F to 225°F (-20°C to 107°C)



Prod. No.	Mod. No.	Style	Description	Pieces	Type
420701	GPF1212	"G"	1/2" Body x 1/2" NPT Female Thread (2/card)	2	Female
420702	GPM1212	"G"	1/2" Body x 1/2" NPT Male Thread (2/card)	2	Male
422701	GCF1212	"G"	1/2" Body x 1/2" NPT Female Thread	10	Female
422702	GPM1212B	"G"	1/2" Body x 1/2" NPT Male Thread	10	Male
422901	LPM1414B	"L"	1/4" Body x 1/4" NPT Male Thread	10	Male
422902	LPF1414B	"L"	1/4" Body x 1/4" NPT Female Thread	10	Female
420401	PPF3814	"P"	3/8" Body x 1/4" NPT Female Thread (2/card)	2	Female
420402	PPM3814	"P"	3/8" Body x 1/4" NPT Male Thread (2/card)	2	Male
422401	PPF3814B	"P"	3/8" Body x 1/4" NPT Female Thread	10	Female
422402	PPM3814B	"P"	3/8" Body x 1/4" NPT Male Thread	10	Male
420501	PPF3838	"P"	3/8" Body x 3/8" NPT Female Thread (2/card)	2	Female
422501	PPF3838B	"P"	3/8" Body x 3/8" NPT Female Thread	10	Female
420502	PPM3838	"P"	3/8" Body x 3/8" NPT Male Thread (2/card)	2	Male
422502	PPM3838B	"P"	3/8" Body x 3/8" NPT Male Thread	10	Male

AIR LINE TOOLS

COUPLERS

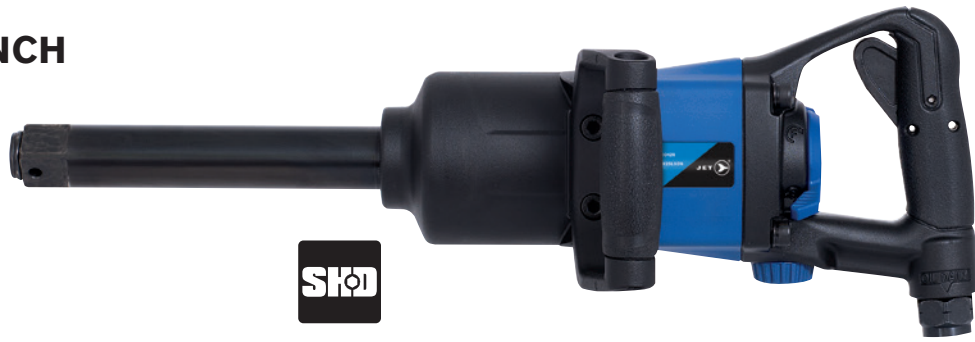
- Deep knurled socket sleeve
- 6-ball "Positive Locking" mechanism
- Made from zinc-plated steel to prevent rust
- Max. working pressure: 200 PSI
- Air flow: 50 SCFM at 100 psig inlet with 10 psig pressure drop
- Operating temperature range: -40°F to 225°F (-20°C to 107°C)

Prod. No.	Mod. No.	Style	Description	Pieces	Type
420751	GCF1212	"G"	1/2" Body x 1/2" NPT Female Thread	1	Female
420752	GCM1212	"G"	1/2" Body x 1/2" NPT Male Thread	1	Male
422751	GCF1212B	"G"	1/2" Body x 1/2" NPT Female Thread	10	Female
422752	GCM1212B	"G"	1/2" Body x 1/2" NPT Male Thread	10	Male
422052	ICM1414B	"I/M"	1/4" Body x 1/4" NPT Male Thread	10	Male
422951	LCF1414B	"L"	1/4" Body x 1/4" NPT Female Thread	10	Female
422952	LCM1414B	"L"	1/4" Body x 1/4" NPT Male Thread	10	Male
420551	PCF3838	"P"	3/8" Body x 3/8" NPT Female Thread	1	Female
420552	PCM3838	"P"	3/8" Body x 3/8" NPT Male Thread	1	Male
422551	PCF3838B	"P"	3/8" Body x 3/8" NPT Female Thread	10	Female
422552	PCM3838B	"P"	3/8" Body x 3/8" NPT Male Thread	10	Male
420451	PCF3814	"P"	3/8" Body x 1/4" NPT Female Thread	1	Female
420452	PCM3814	"P"	3/8" Body x 1/4" NPT Male Thread	1	Male
422451	PCF3814B	"P"	3/8" Body x 1/4" NPT Female Thread	10	Female
422452	PCM3814B	"P"	3/8" Body x 1/4" NPT Male Thread	10	Male





IMPACT WRENCH



1" Drive "Ultra Lightweight" Impact Wrench - Super Heavy Duty

400428 / AW25LSD6

- Best in Class – Power to Weight Ratio
- THE ideal gun for the HD Truck Tire Industry
- Ultra lightweight Composite Impact Gun, (17.9 lb) produces an incredible 2,000 ft/lb of nut wrenching torque in reverse
- Ultimate power in reverse maximizes removal of stubborn rusted nuts
- Twin hammer mechanism provides more power and smooth, balanced impact blows for reduced vibration
- Unique curved D-handle design improves balance of tool when held sideways, improving user comfort and control
- Forward and reverse valve is equipped with four-position throttle settings
- Exhaust outlet directs air away from operator when held in sideways position
- Three-piece construction allows quick, easy maintenance
- Internally mounted throttle trigger for operator safety and convenience
- Anvil features pin hole and spring clip type socket retainer
- Air inlet screen for extended motor life
- For maximum performance we recommend 90 PSI air pressure
- The ideal tool for all jobs requiring hard hitting impact blows from a very compact, lightweight tool

FLAP DISCS (FOR ANGLE GRINDERS)

POWERBLEND® TRM QC

- Premium high performance zirconia alumina grain blend ensures fast, cool cutting and extra-long life on steel and stainless steel
- The 5/8-11 "Quick Change" arbor increases productivity by reducing time spent on wheel change outs
- Trimmable backing pad for extended disc life
- Type 27 wheel shape offers the most contact area to create a smooth, professional finish quickly and easily
- Optimal performance when operated at an angle between 0° and 15°



Prod. No.	Size	Grit	Type	Max. RPM
503565	4-1/2 x 5/8-11	Z60	27	13,300
503567	4-1/2 x 5/8-11	Z80	27	13,300
503569	4-1/2 x 5/8-11	Z120	27	13,300
503573	5 x 5/8-11	Z40	27	12,200
503575	5 x 5/8-11	Z60	27	12,200
503577	5 x 5/8-11	Z80	27	12,200
503579	5 x 5/8-11	Z120	27	12,200

HACKSAW BLADES

JET-KUT® Bi-Metal Hacksaw Blades - Premium

Prod. No.	Size L x W x T	Teeth
566221	12" x 1/2" x 0.25"	18 TPI
566222	12" x 1/2" x 0.25"	24 TPI
566223	12" x 1/2" x 0.25"	32 TPI



- Made from high quality high speed steel teeth that are thermally treated then laser beam welded to a high carbon steel backing to produce a highly durable, flexible, and shatterproof blade
- An excellent performing, long lasting blade for a wide range of applications



CHAIN HOISTS

VCH Series

- Triple spur geared for efficient operation
 - Hardened steel roller bearings support load sheave for easy operation
 - Dual pawl Weston style brake for safe reliable operation
 - Exclusive premium grade, non-asbestos brake discs for longest life
 - Grade 80 load chain
 - Top and bottom safety hooks bend slowly to warn of overloads
 - Load tested to 150% of rated capacity with certificate
 - Meets ASME B30.16 standards
 - ISO 9001-2000 certified factory
- NOTE: Custom Lifts are available in any length desired. Ask your local **SureWerx** distributor for details!



Prod. No.	Mod. No.	Product Weight	Load chain	Standard Lift	Head Room	Rated Lifting Capacity	Force Req. to Lift Capacity	Length of Hand Chain Pulled to Lift Load 1'	Number of Falls
101042	VCH-3010	52.9 lb (24.1 kg)	8.0 mm	10'	20-15/32"	6,600 lb	88 lb	53'	2
101046	VCH-3020	77.2 lb (35.1 kg)	8.0 mm	20'	20-15/32"	6,600 lb	88 lb	53'	2

VLP Series

- Cold formed stamped steel housings resist impact
 - Grade 80 load chain
 - Hardened steel roller bearings support load for easier operation
 - Dual pawl Weston style brake for reliable and safe operation
 - Exclusive premium grade, non-asbestos brake discs for longest life
 - Top and bottom safety hooks bend to warn of overloads
 - Deformation indicators on hooks allow accurate measurement for easy maintenance
 - Load tested to 150% of rated capacity with certificate
 - Meets ASME B30.21 standards
 - ISO 9001-2000 certified factory
- NOTE: Custom Lifts are available in any length desired. Ask your local **SureWerx** distributor for details!



Prod. No.	Mod. No.	Product Weight	Load chain	Standard Lift	Rated Lifting Capacity	Force Req. to Lift Capacity	Number of Falls
110306	VLP-75-10	15.4 lb (7.6 kg)	6.0 mm	10'	3/4 T	31 lb	1
110307	VLP-150-10	28.7 lb (13.3 kg)	8.0 mm	10'	1-1/2 T	48 lb	1
110308	VLP-300-10	46.3 lb (21.3 kg)	10.0 mm	10'	3 T	70 lb	1

CREEPER

Wide Body Mechanic's Creeper

355131 / JBMC-747

- Made with 100% new High Density Polyurethane for unparalleled strength and long life – no recycled materials
- Generous shoulder relief allows unrestricted arm movement
- 6 large double post polyurethane casters with ball bearings provide a smooth ride over most shop floors
- Moulded contours fit the body, eliminating the need for padding
- Large padded headrest provides maximum comfort
- Dual moulded parts trays help you stay organized
- Light weight allows easy storage; can be hung out of the way using convenient handle
- Features the largest surface area and highest weight capacity of any blow mould creeper on the market





ADJUSTABLE WRENCHES



- Heat-treated alloy steel
- I-beam construction for increased strength
- Accurate thumb-screw for smooth operation

Prod. No.	Mod. No.	Length
020311	IAW-6	6"
020315	IAW-15	15"



020728 / IPS-1312D

1/2" DR DEEP & REGULAR IMPACT SOCKET SETS



020731 / IPS-1312M



020723 / IPS-1312

- Heat treated Chrome Molybdenum sockets for professional applications
- Torque-Drive® sockets apply torque to flats of fasteners to prevent corner rounding and increase torque
- Black phosphate finish resists corrosion and will not peel

- Large easy to read size markings for quick identification
- Complete with handy blow mould storage case



020736 / IPS-1312DM

Prod. No.	Mod. No.	Contains	Description
020723	IPS-1312	7/16, 1/2, 9/16, 5/8, 11/16, 3/4, 13/16, 7/8, 15/16, 1, 1-1/16, 1-1/8, 1-1/4"	1/2" Drive 13PC SAE Impact Socket Set
020728	IPS-1312D	7/16, 1/2, 9/16, 5/8, 11/16, 3/4, 13/16, 7/8, 15/16, 1, 1-1/16, 1-1/8, 1-1/4"	1/2" Drive 13PC Deep SAE Impact Socket Set
020731	IPS-1312M	10, 11, 12, 13, 14, 15, 16, 17, 18, 19, 21, 22, 24 mm	1/2" Drive 13PC Metric Impact Socket Set
020736	IPS-1312DM	10, 11, 12, 13, 14, 15, 16, 17, 18, 19, 21, 22, 24 mm	1/2" Drive 13PC Deep Metric Impact Socket Set

LED Work Light

849832 / JLWL-20P



- Highly efficient Surface Mounted Diodes (SMD) produce an intense ultra-bright white light
- SMD technology is more robust and produces 2x the light of standard LED bulbs
- Up to 100,000 hours lifetime
- 6' 18/2 SJT cord for indoor use
- Shatter resistant polycarbonate housing stands up to rough handling
- Rotating top hook allows user to hang light for hands-free use
- Second hook for conveniently mounting light in horizontal position

LED Work Light with 25' Cord

849836 / JLWL-20XL



- Highly efficient Surface Mounted Diodes (SMD) produce an intense ultra-bright white light
- SMD technology is more robust and produces 2x the light of standard LED bulbs
- Up to 100,000 hours lifetime
- 25' 16/3 SJT cord for indoor use
- Shatter resistant polycarbonate housing stands up to rough handling
- Built-in grounded receptacle allows convenient use of power tools at work site
- Adjustable magnet mounts light to any metal surface
- Rotating top hook allows user to hang light for hands-free use
- Second hook for conveniently mounting light in horizontal position

Contractor Grade Extension Cords - Single-Tap

- SJTOW cord for indoor and outdoor use
- Stays flexible to -50°C
- Resists most shop chemicals
- Lighted tap indicates when power is on

Prod. No.	Mod. No.	Gauge	Max. Power	Amperes	Cord Length
849841	JLEC-1625S	16 SJTOW	1,625 W	13	25 Foot
849842	JLEC-1650S	16 SJTOW	1,625 W	13	50 Foot
849843	JLEC-16100S	16 SJTOW	1,250 W	10	100 Foot





AIR/HYDRAULIC TRUCK JACK

GOOD**

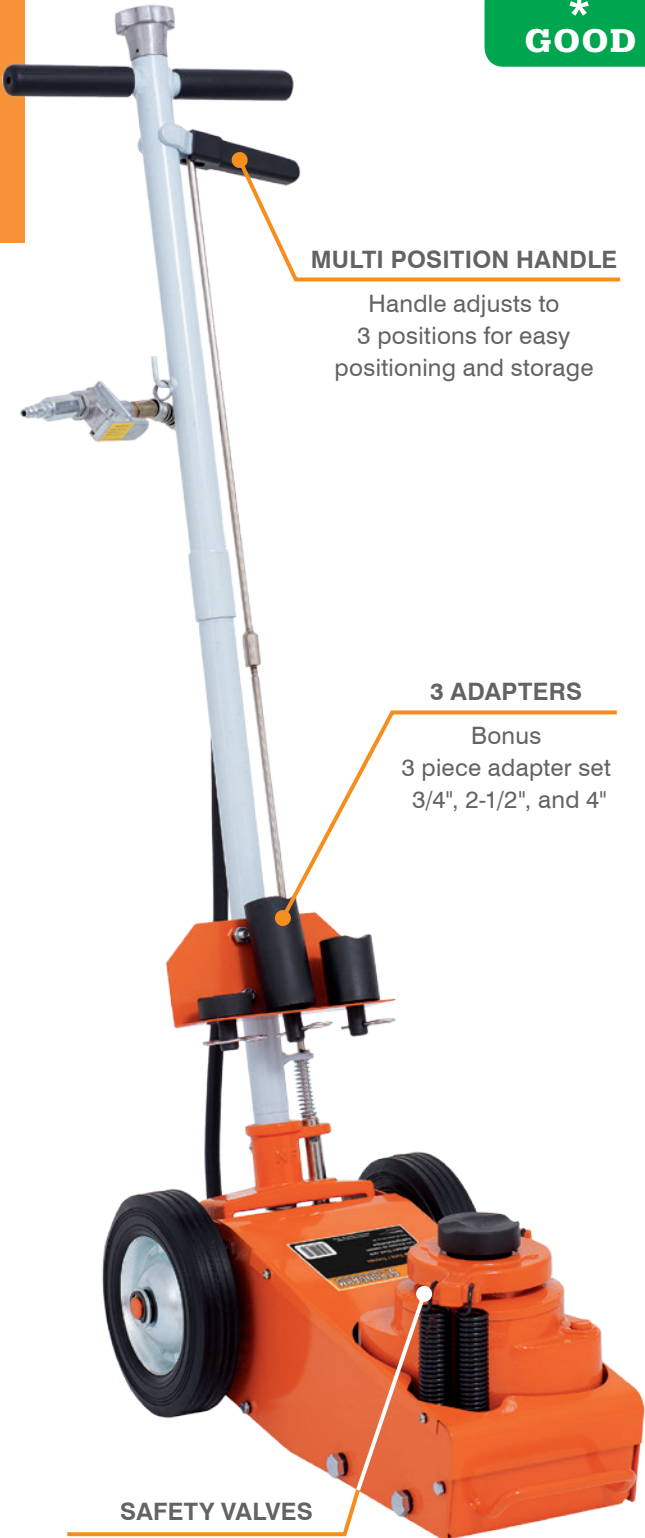
22 Ton Air/Hydraulic Truck Jack

030470 / 727

- Great performance from an economical truck jack
- Designed for lifting trucks, buses, trailers, and other heavy duty equipment
- Two-piece 42.7" handle
- Operates at 90 - 145 psi
- Standard accessories: 3 piece adapter kit including 3/4", 2-1/2", and 4" extensions

Prod. No.	Ram lift (inches)	Low Height (inches)	High Height (inches)	Weight (lb)
030470	4-1/2	9	13.5 / 20.8*	112

* WITH 4" ADAPTER AND EXTENSION SCREW



MULTI POSITION HANDLE

Handle adjusts to 3 positions for easy positioning and storage

3 ADAPTERS

Bonus 3 piece adapter set 3/4", 2-1/2", and 4"

SAFETY VALVES

Overload and safety bypass valves prevent jack from ram over-extension and being used beyond rated capacity

DON'T FORGET!

030445 / 728C

GREAT**

Strongarm continues to carry Canada's leading performance 728C 20 Ton Air/Hydraulic Truck Jack

AN INDUSTRY STANDARD FOR OVER 30 YEARS

NOW WITH IMPROVED AIR MOTOR AND LONGER SERVICE LIFE

2xP FLOOR JACKS

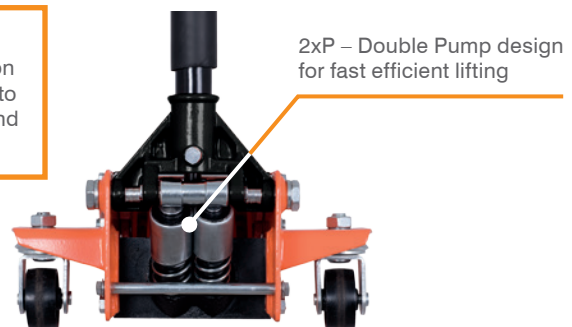


- 2xP – Double Pump design for fast efficient lifting
- Built for the Professional User
- Equipped with Safety Bypass to prevent overloading
- Rear mounted swivel casters for easy maneuverability
- Heavy duty pump, ram and cylinders are precision machined and inspected to ensure long service life and superior performance
- Superior grade “soft” components for better performance and increased jack life
- Padded handle bumper protects vehicle finish
- Convenient integral parts tray

Prod. No.	Capacity (tons)	Low Height (inches)	High Height (inches)	Weight (lb)
030404	2	2.9	19.7	69.4
030405	3	3.7	20.5	90.4
030408	4	4.3	20.5	97.4
030417	3	4.7	18.1	69.4



Heavy duty pump, ram and cylinders are precision machined and inspected to ensure long service life and superior performance



KNEE PROTECTION

KneePro Ultra Flex III Knee Pads



- Sellstrom's KneePro Ultra Flex III knee pads have been the industry standard for more than 30 years
- Simply the best knee pads made!
- The articulating hinged design ensures proper placement all day long – set them once and forget you are even wearing them
- Soft elastic, extra-wide woven straps with reinforced sewn ends are placed well above and below the knee – no Velcro, which contaminates over time
- Straps stay aligned with your legs in any position – will not bind behind the knee
- Built with strong, flexible hard plastic outer shells that extend well above, below and to the inside/ outside of the knee for added knee and leg protection
- Metal rivet hinge ensures long lasting protection while kneeling or walking
- On the outside, pads feature a perfectly placed curved non-marking Grip Strip
- Grip Strip designed for use in all applications without gumming up
- Grip Strips are easily replaceable
- On the inside, pads offer a long lasting 5/8" closed cell foam pad for maximum comfort and protection
- Sweat does not penetrate closed cell foam – lasts longer and won't "stink"
- Our new KneePro Hybrid Ultra Flex III version offers even greater user comfort and protection through the use of a three layer, 3/4" thick closed cell foam pad with built-in GEL packs – the ultimate in knee protection!
- Virtually indestructible – built for years of hard work and heavy use
- Specially designed Quick-Snap clips ensure quick and easy removal
- Comes in convenient, reusable mesh bag with one extra Quick-Snap clip
- Pads weigh only 9 oz. each
- Straps, Grip Strips & Speedclips are replaceable
- Excellent for welders, ship builders, roofers, construction workers, flooring installers and anywhere hard-working knee pads are required

Prod. No.	Sizes	Colour
S96111	Fit-All	Black
S96112	Fit-All	Green
S96113	Fit-All	Tan

Knee Pad Accessories



Prod. No.	Sizes	Colour	Description
S96110-6	Fit-All	Black	KneePro III replacement straps and clips
S96110-7	Fit-All	Orange	KneePro III replacement Grip Strips



WELDING PRODUCTS

COMING SEPTEMBER 2018!

SureWerx is pleased to introduce a complete program of high quality **welding helmets, curtains and blankets**. This program has been carefully developed to complement our extensive line of: abrasives, cutting tools, wire brushes, material handling equipment, hand tools, clamps, vises and other related shop equipment. These **new welding related safety products** further deepens our commitment to supplying safety and productivity to workers in metal fabrication industries.

AVAILABLE NOW!



AVAILABLE SEPTEMBER 2018

S26100 / WHB1000



*
GOOD

WELDING HELMETS

Advantage Series – Welding Helmet with ADF

- Our newest Advantage Series ADF welding helmet
- Offers excellent neck and head protection
- Made with lightweight materials, this helmet offers outstanding protection, performance, comfort and reliability
- Designed for use with cartridge respirator
- Features 2 independent arc sensors
- 3-position sensitivity control: L/M/H
- 3-position delay control: S/M/F
- Solar operated
- Easy auto-darkening filter and cover plate removal and installation
- Automatic power control
- Complete with grind mode
- Comfortable lock/unlock push and twist ratcheting head gear adjustment
- Applications: an excellent, feature rich light duty economical welding helmet. Designed for part time users, hobbyists, general construction sites, automotive and general shop usage, backyard mechanics
- Meets ANSI Z87.1 and CSA certified to CAN/CSA Z94.3 standards

S26200 / WHM2000



**
BETTER

Advantage Plus Series – Welding Helmet with Large ADF

- Our newest Advantage Plus Series ADF welding helmet
- Offers excellent neck and head protection
- Made with lightweight materials, this helmet offers outstanding protection, performance, comfort and reliability
- Designed for use with cartridge respirator
- Features 4 arc sensors
- Adjustable sensitivity and delay controls
- All controls are internal for maximum protection
- Solar and battery operated
- Easy auto-darkening filter and cover plate removal and installation
- Automatic power control
- Complete with grind mode/grinding warning
- Low battery warning is standard
- Comfortable lock/unlock push and twist ratcheting head gear adjustment
- Applications: an excellent, feature rich medium duty welding helmet. Designed for serious hobbyists, part and full-time welders, automotive and general shop users, construction sites, steel erectors and fabricators
- Meets ANSI Z87.1 and CSA certified to CAN/CSA Z94.3 standards

S26400 / WHP4000



BEST

Premium Series – Welding Helmet with Extra Large Blue Lens Technology ADF

- Our newest premium series ADF welding helmet
- Offers excellent neck and head protection
- Made with lightweight materials, this helmet offers outstanding protection, performance, comfort and reliability
- Designed for use with cartridge respirator
- Features state-of-the-art Blue Lens technology, allowing the user to experience true color vision
- Features 4 arc sensors
- Fully digital operation: shade, sensitivity, delay and weld/grind control
- Adjustable sensitivity and delay controls
- Memory function allows the operator to store different shade, sensitivity and delay options
- All controls are internal for maximum protection
- Solar and battery operated
- Easy auto-darkening filter and cover plate removal and installation
- Automatic power control
- Complete with grind mode/grinding warning
- Low battery warning is standard
- Comfortable lock/unlock push and twist ratcheting head gear adjustment
- Applications: a premium welding helmet offering all the features necessary for the professional, full-time welder. Excellent for use in heavy duty industries such as steel fabrication, steel erection, ship building, pipeline construction, refinery construction / maintenance and much more
- Meets ANSI Z87.1 and CSA certified to CAN/CSA Z94.3 standards

ALL THREE ADF MODELS GOOD FOR MIG, TIG & STICK WELDING

AVAILABLE SEPTEMBER 2018

WELDING HELMET

S29501-10

290 Series - Welding Helmet with Fixed Front Shade 10 Filter

- Sellstrom's 290 Series welding helmet has been an industry leader for decades
- Made in the U.S. - our most popular welding helmet
- Molded from Super Tuff nylon – lighter than fiberglass and extremely durable
- Extended crown provides greater overhead protection
- Specially designed rigid neck bib provides superior protection from spatter
- Patented Sel-Snap lens retention system provides easy loading of filter, cover and protective plates
- Designed using standard 2" x 4-1/4" fixed front option
- Complete with Shade 10 polycarbonate passive filter and CR-39 Monomer clear cover plate
- Provides maximum operator comfort and safety
- Includes Sellstrom's patented quick-release ratchet headgear suspension with sweatband (S27001)
- Can also be mounted on slotted hard hats using Sellstrom's dielectric universal slot adapter (S61970)
- Meets ANSI Z87.1 and CSA certified to CAN/CSA Z94.3 standards



WELDING HELMET - REPLACEMENT PARTS

S16610

S19002

S19451

S19452

S19454

S27001

S27005

S27006

S27710

S27720

S27740

S61970

Prod. No.	Description	For Product No.
S16610	Shade 10 IR Polycarbonate Passive Filter - 2" x 4-1/4"	S29501-10
S19002	Clear Cover Plate - 2" x 4-1/4" CR-39	S29501-10
S19451	Clear Cover Plate (Front and Back Set)	S26100
S19452	Clear Cover Plate (Front and Back Set)	S26200
S19454	Clear Cover Plates (Front and Back Set)	S26400
S27710	Variable Shade 9-13 ADF	S26100
S27720	Large Variable Shade 9-13 ADF	S26200
S27740	Extra-Large Blue Lens Technology Variable Shade 5-9 / 9-13 ADF	S26400
S27001	Ratcheting Head Gear	S29501-10
S27005	Advantage Series Ratcheting Head Gear	S26200, S26100
S27006	Ratcheting Head Gear	S26400
S61970	Universal Hard Hat Adapter	S26400, S26200, S26100, S29501-10



Welder's Harness

- Certified to CSA Z259.10, ANSI Z359.11 and ASTM F887-13 standards
- Ensures longer-lasting protection when working at heights in a welding or electrical environment
- Fully adjustable for a universal fit
- 5 points of adjustment ensuring a good fit (2 leg, 2 torso, 1 chest)
- Upgraded Stab Lock leg and chest buckles for quick donning
- Fall indicator for easier inspection before use
- Large dorsal D-ring for easy connection
- Side D-rings for positioning if necessary
- Kevlar® webbing

Prod. No.	Mod. No.	Product Weight	Certified	Class	D-Rings	Buckles - Leg	Buckles - Chest
V8009010	FBH-121102B	4 lb (1.8 kg)	CSA Z259.10, ANSI Z359.11 and ASTM F887-13	AP	Dorsal (1), Side (2)	Stab Lock	Stab Lock



V8109106

Welder's Shock Absorbing Lanyards

- POY (Partially Oriented Yarn) lanyards are woven in a manner that allows the yarn to stretch out when it has a load applied to it. The POY is encased in tubular webbing for maximum strength.
- Certified to CSA Z259.10, ASTM F887-13, OSHA 1910.269 and 1926.954 standards
- Ensures longer-lasting protection when working at heights in a welding or electrical environment
- Drop indicator for easier inspection before use
- A full-length internal energy absorber limits the arrest force to 900 lb (4 kN) maximum
- POY lanyards are available in the E4 category only (worker weight of 100 to 254 lb [45 to 115 kg])
- Kevlar® webbing

Prod. No.	Mod. No.	Product Weight	Hooks	Maximum Arrest Force	Length/Config.
V8109106	SA-1700-6	2.5 lb (1.1 kg)	2 snap hooks (1 body, 1 anchor)	900 lb (4 kN)	6' - single leg
V8109126	SA-1702-6	2.9 lb (1.3 kg)	1 snap hook (body), 1 form hook (anchor)	900 lb (4 kN)	6' - single leg



V8109126

Shock Absorber SP Single Leg Snap Hooks 2.5' (0.8 M) V81031025 / SA-3200-2.5



- SP (Shock Pack) lanyards are comprised of "tear webbing" which is woven in a manner that allows the webbing to tear when it has a load applied to it. This tearing absorbs a significant amount of downward force under load, reducing injury. This tear webbing is folded and shrink-wrapped into a compact 1 x 2 x 6" (2.5 x 5 x 15 cm) pack that is sewn into the lanyard next to the body connector.
- Made with a superior grade, heavy-duty 1-3/4" (45 mm) or 1" (25 mm) polyester webbing for maximum strength with tear webbing shock absorber
- Certified to CSA Z259.11-05 standards
- A tear-away absorber limits the arrest force to a maximum of 900 lb (4 kN)
- PeakWorks SP lanyards are available in two category: E4 (worker weight of 100 to 254 lb [45 to 115 kg]) and E6 (worker weight of 200 to 386 lb [90 to 175 kg])

LE SRL with 1" (25 mm) Webbing - Aluminum Housing - Type 2 - Twin Leg - Form Hook - 7.5' (2.3 m)

V8455277-5LE / SRL-54854-7.5LE



- Leading Edge (LE) self-retracting lifelines are designed to protect the worker when operating near an edge and where a fall hazard exists that could cause the lifeline to come into contact with the edge
- Leading Edge SRL's provide additional protection against sharp or abrasive surfaces found on many construction sites
- A Leading Edge SRL can be mounted below a worker's fall arrest D-Ring (please refer to instruction manual for details)
- Certified to CSA Z259.2.2-98 (for non-Leading Edge applications) and ANSI Z359.14 (for Leading Edge applications)
- No external shock absorber – We are the only manufacturer that offers LE certified units which can be used without external shock absorbers
- Lightweight units can be mounted on a worker's harness for better mobility and range of motion
- All LE products are clearly marked to ensure the correct SRL is used for Leading Edge applications

V805104x



V805105x



V805604x
V805605x

Miner's Belts

- Designed for restraint only
- D-ring located on the back of the belt
- Can be used in conjunction with full body harnesses when fall protection is required

- Meets or exceeds CSA Z259.1-05 and ANSI Z359.1-2007
- Polyester webbing

Prod. No.	Mod. No.	Sizes
V8051041	WB-1040-S	S
V8051042	WB-1040-M	M
V8051043	WB-1040-L	L
V8051044	WB-1040-XL	XL
V8051045	WB-1040-XXL	XXL
V8051051	WB-1050-S	S
V8051052	WB-1050-M	M

Prod. No.	Mod. No.	Sizes
V8051053	WB-1050-L	L
V8051054	WB-1050-XL	XL
V8051055	WB-1050-XXL	XXL
V8056041	WB-6040-S	S
V8056042	WB-6040-M	M
V8056043	WB-6040-L	L
V8056044	WB-6040-XL	XL

Prod. No.	Mod. No.	Sizes
V8056045	WB-6040-XXL	XXL
V8056051	WB-6050-S	S
V8056052	WB-6050-M	M
V8056053	WB-6050-L	L
V8056054	WB-6050-XL	XL
V8056055	WB-6050-XXL	XXL

Slim Line Harness Lanyards

- Slim Line tool lanyard for smaller, lighter tools
- Capacity of 15 lb (6.82 kg)
- Durable for long-lasting use

Prod. No.	Mod. No.	Length	Description
V856230	TT-9902-1	28"	Slim Line Harness Lanyard
V856231	TT-9902-BULK	28"	Slim Line Harness Lanyard - 50/box
V856240	TT-9903	28"	Slim Line Harness Lanyard with Locking Carabiners
V856241	TT-9903-BULK	28"	Slim Line Harness Lanyard with Locking Carabiners - 50/box



V85623x



V85624x

Hard Hat Lanyard

V860309 / CP-24400-1

- Easily tethers hard hat to worker
- High strength elastic material
- 2-lb capacity
- Hard hat not included





Hi-Viz Surveyor's Safety Vest

- 150 denier woven twill polyester
- CSA Z96-15 Class 1 Level 2 and ANSI/ISEA 107-15 Class 1 Type O
- StarTech™ reflective tape
- Brass snap front
- Radiophone pocket on chest
- 2 radiophone clip straps
- Cooling underarm mesh vents
- Back ruler slot
- Large back pack pouch with zipper access
- 4 front pockets with brass surveyor tape dispenser grommets
- 5 pen pockets
- 7 other all-purpose storage pockets
- D ring access slot

Prod. No.	Mod. No.	Colour	Sizes
V1010180	6692N	Royal	S-4XL



CSA Surveyor's / Supervisor's Vest

- 600 denier oxford polyester, PU coated
- CSA Z96-15 Class 1 Level 2
- ANSI/ISEA 107-15 Class 1 Type O
- StarTech™ reflective tape
- Radiophone pocket on chest
- 10 storage pockets
- 5 pen/marker slots
- Back ruler slot
- Back pouch pocket
- 2 radiophone clip straps
- D ring access slot

Prod. No.	Mod. No.	Colour	Sizes
V1010570	668	Black	S-5XL



Hi-Viz CSA Safety Vests

- Polyester mesh
- CSA Z96-15 Class 2 Level 2
- ANSI/ISEA 107-15 Class 2 Type P and R
- StarTech™ reflective tape
- ID pocket
- Adjustable double snap button front
- 5 point tear-away
- Extra-comfortable tear-away chest panels
- 2 flap pockets with hook and loop closure
- 1 cell phone pocket on left chest
- 3 pen slots on right chest
- D ring access slot

Prod. No.	Mod. No.	Colour	Sizes
V102195A	6938A	Hi-Viz Orange	S/M, L/XL, 2/3XL, 4/5XL
V102196A	6939A	Hi-Viz Yellow/Green	S/M, L/XL, 2/3XL, 4/5XL



Hi-Viz Short-Sleeved Safety Vest

- 3.5 oz (120 gsm) tricot polyester interlock
- CSA Z96-15 Class 2 Level 2
- ANSI/ISEA 107-15 Class 2 Type P and R
- StarTech™ reflective tape
- Nylon zipper front closure
- Contrast colour binding
- 2 lower pockets with hook and loop flaps
- ID pocket with pen holders
- Radiophone pocket
- 3 storage pockets
- Cell phone pocket
- 2 radiophone clip straps
- Adjustable 1 size up at sides

Prod. No.	Mod. No.	Colour	Sizes
V1023560	6691	Hi-Viz Yellow/Green	S/M, L/XL, 2/3XL, 4/5XL

Women's Hi-Viz Safety Tear-Away Vests

- 3.5 oz (120 GSM) polyester mesh
- 5 point tear-away
- CSA Z96-15 Class 2 level 2
- ANSI/ISEA 107-15 Class 2 Type P and R
- Startech™ reflective tape
- ID pocket with pen holders
- Full tear-away front zipper
- Inside storage and cell phone pockets
- Lower pockets with flaps
- Radiophone clip straps
- Designed for women with a tapered waist and flared bottom

Prod. No.	Mod. No.	Colour	Women's Sizes
V1023650	486	Hi-Viz Orange	XS-2XL
V1023660	489	Hi-Viz Yellow/Green	XS-2XL



Hi-Viz Tear-Away Mesh Vest

- Polyester mesh
- CSA Z96-15 Class 2 Level 2
- ANSI/ISEA 107-15 Class 2 Type P and R
- StarTech™ reflective tape
- 5 point tear-away
- D ring access slot
- Adjustable 1 size up at front
- Packed in hangable bag

Prod. No.	Mod. No.	Colour	Sizes
V1030560	598P	Hi-Viz Yellow/Green	S/M, L/XL, 2/3XL, 4/5XL



Birdseye Safety T-Shirt

- Soft premium birdseye moisture-wicking polyester
- CSA Z96-15 Class 1 Level 2 and ANSI/ISEA 107-15 Class 1 Type O
- StarTech™ reflective tape
- Rib crew neck
- Chest pocket with hook and loop closure
- Radiophone clip strap

Prod. No.	Mod. No.	Colour	Sizes
V1051180	6992N	Navy	XS-5XL



Women's Poly/Cotton Drop Stitch Hi-Viz T-Shirts

- 5.3 oz (180 GSM) poly/cotton knit
- Drop stitched for ultimate breathability
- Cotton yarn inside for ultra cool comfort
- Hi-visibility polyester outside meets CSA Z96-15 Class 2 level 2 and ANSI/ISEA 107-15 Class 2 Type P and R
- 2" silver Startech™ reflective tape
- Rib crew neck with grey contrast stripes

Prod. No.	Mod. No.	Colour	Women's Sizes
V1052550	6908	Hi-Viz Orange	XS-3XL
V1052560	6909	Hi-Viz Yellow/Green	XS-3XL





Hi-Viz 100% Waterproof 6-in-1 Parka

- 300 denier PU coated oxford polyester
- Inner and outer jackets CSA Z96-15 Class 2 Level 2 (as long as sleeves are not zipped off, becomes Class 3 when worn with hi-viz pant featuring reflective leg bands) and ANSI/ISEA 107-15 Class 3 Type P and R
- Double-stitched StarTech™ reflective tape
- 100% waterproof and windproof
- Taped and heat sealed seams

OUTER JACKET:

- Quilted lining
- Detachable snap hood
- 2 large front cargo pockets

- 2 inner pockets
- Full front zipper with snap storm placket
- 7" side zippers for greater mobility
- Storm cuffs
- Embroidery access zipper

INNER JACKET:

- Quilted lining
- Detachable sleeves
- Comfort collar
- 2 large front cargo pockets
- 2 inner pockets
- Reversible to black



Prod. No.	Mod. No.	Colour	Sizes
V1120150	5020	Hi-Viz Orange	XS-5XL



Hi-Viz Puffy Jacket

- Woven quilted polyester pongee trilobal ripstop material with TPU membrane
- Hi-viz yellow 210T taffeta lining
- Body padding: 4 oz (140 GSM) polyester
- Hood padding: 1.8 oz (60 GSM) polyester
- StarTech™ reflective tape
- CSA Z96-15 Class 2 Level 2 and ANSI/ISEA 107-15 Class 3 Type P and R

- Rib knit waist band and cuffs
- 2 front pockets with zippered closure
- 1 inside storage pocket with zipper closure
- Detachable drawstring hood with zipper attachment
- Concealed slots for tucking in hood tabs



Prod. No.	Mod. No.	Colour	Sizes
V1170260	5014	Hi-Viz Yellow/Green	S-4XL



450D Hi-Viz 100% Waterproof Jacket

- 450 denier oxford polyester with PU backing
- CSA Z96-15 Class 1 Level 2 and ANSI/ISEA 107-15 Class 1 Type P and R
- StarTech™ reflective tape
- Inner zipper to accommodate optional 3-in-1 zip-in fleece liner 6924/6925/6925BK (sold separately)
- 100% waterproof and windproof
- Fully mesh lined
- Taped and heat sealed seams

- 2 radiophone clip straps
- 2 front pockets
- Full front zipper with snap storm placket
- Detachable snap hood
- Storm cuffs

Prod. No.	Mod. No.	Colour	Sizes
V1110670	5585BK	Black	S-4XL



Quilted Hooded Polar Fleece Shirt

- Boa lined
- Fooler front with buttons
- Mock hoodie inner with zipper

- Fleece lined drawstring hood
- 2 chest pockets, elastic wrists

Prod. No.	Mod. No.	Colour	Sizes
V3080397	415RB	Red-Black Plaid	S-4XL

Hood for Hi-Viz Traffic Control Waterproof jacket

- 5,000 mm 100% waterproof 300 denier oxford polyester, PU coated
- Large clear side view windows
- Taped and heat sealed seams
- Drawstring closure

Prod. No.	Mod. No.	Colour	Sizes
V1190560	6037H	Hi-Viz Yellow/Green	Fit-All



Hi-Viz Traffic Control Waterproof Safety Bib Pant

- 5,000 mm 100% waterproof 300 denier oxford polyester, PU coated
- CSA Z96-15 Class 3 Level 2 when worn with CSA Class 2 Level 2 top featuring reflective arm bands
- ANSI/ISEA 107-15 Class E Supplemental Type
- Meets Transports Québec P4.34.1 (Road Work Signage)
- StarTech™ reflective tape across knees with orange trim in between bands
- Taped and heat sealed seams
- Fully mesh lined
- Hook and loop fly opening
- 2 cargo pockets on each side
- Pioneer signature elastic suspenders with buckles
- Boot access zippers with adjustable ankles

Prod. No.	Mod. No.	Colour	Sizes
V1190660	6038	Hi-Viz Yellow/Green	XS-4XL

Premium Polyester Quick-Dry and Moisture-Wicking Underwear Set

- 100% polyester birdseye 3.8 oz (130 GSM)
- Special fabric weave keeps the fabric dry
- Packed in hangable box
- Self-fabric neck, cuffs and ankles
- Flat lock seams for added comfort
- Soft and comfortable 4-way stretch fabric
- Special fabric weave keeps you warm in the winter and cool in the summer
- Fly access

Prod. No.	Mod. No.	Sizes	Colour
V3100271	D2200A	S-4XL	Black



Microporous Coverall - Type 4

- 60 GSM microporous film laminated non-woven material
- Complies with Chemical Protective Coveralls Category III EN ISO 14605 Type 4 – Protection Against Spray and Infectious Agents
- Complies with Chemical Protective Coveralls Category III EN ISO 13982-1 Type 5 – Protection Against Hazardous Dry Particles
- Complies with Chemical Protective Coveralls Category III EN ISO 13034 Type 6 – Protection Against Light Splashes and Light Sprays of Liquid Chemicals
- Ideal for protection from airborne particulates, biohazard, chemicals, contamination and splashes
- Premium sewn and bonded seams for increased holdout of liquids and dry particles
- 2-way zipper front with adhesive flap
- Low lint
- Elastic cuff, ankle and face line
- Elastic waist at back
- Individually packed

Prod. No.	Mod. No.	Colour	Sizes
V7016750	2076	White	S-5XL





FR-Tech™ Flame Resistant 7 oz Hi-Viz Safety Coveralls



- FR-Tech™ 88% premium cotton blended with 12% high-tenacity nylon, 7 oz (240 GSM)
- Material and all components meet CGSB 155.20-2000 and NFPA 2112-2012 certified to UL
- Thermal Protective Performance (TPP) value: with the spacer 8.6 / contact test 7.3
- 7702/7702T - CSA Z96-15 Class 3 Level 2 and Class 3 Level FR
- 7704/7704T - CSA Z96-15 Class 1 Level 2 and Class 1 Level FR
- Meets ASTM F1506-10a, NFPA 70E and CSA Z462-15
- ATPV 10 cal/cm² (Arc Thermal Protective Value)
- ARC 2 Arc Rating Category
- Double-stitched StarTech™ FR reflective tape
- Sewn with inherently FR thread
- Flame resistance guaranteed for the life of the garment
- Suitable for industrial wash
- Radiophone clip strap
- 2-way FR brass zipper
- 7 storage pockets: 2 back, 2 chest, 2 side, 1 tool
- 2 pass-through pockets
- Adjustable wrists and ankles

Prod. No.	Mod. No.	Colour	Sizes
V2540310	7704	Royal	36-60
V254031T	7704T	Royal	40T-60T
V2540350	7702	Hi-Viz Orange	36-60
V254035T	7702T	Hi-Viz Orange	40T-60T

FR-Tech™ Flame Resistant 7 oz Hi-Viz Safety Overalls



- FR-Tech™ 88% premium cotton blended with 12% high-tenacity nylon, 7 oz (240 GSM)
- Material and all components meet CGSB 155.20-2000 and NFPA 2112-2012 certified to UL
- Thermal Protective Performance (TPP) value: with the spacer 8.6 / contact test 7.3
- 7712 - CSA Z96-15 Class 2 Level 2 and Class 2 Level FR
- 7714 - CSA Z96-15 Class 1 Level 2 and Class 1 Level FR
- Meets ASTM F1506-10a, NFPA 70E and CSA Z462-15
- ATPV 10 cal/cm² (Arc Thermal Protective Value)
- ARC 2 Arc Rating Category
- Double-stitched StarTech™ FR reflective tape
- Sewn with inherently FR thread
- Flame resistance guaranteed for the life of the garment
- Suitable for industrial wash
- Radiophone clip strap
- 2-way FR brass zipper
- 7 storage pockets: 2 back, 2 chest, 2 side, 1 tool
- 2 pass-through pockets
- Adjustable elastic suspenders

Prod. No.	Mod. No.	Colour	Sizes
V2540450	7714	Royal	S-5XL
V2540480	7712	Hi-Viz Orange	S-5XL

Women's Safety Poly/Cotton Coverall

- 7 oz (230 GSM) poly/cotton
- CSA Z96-15 Class 3 Level 2
- StarTech™ reflective tape
- Designed to ergonomically fit women
- 2-way heavy-duty brass zipper
- Adjustable snap wrists
- 7 storage pockets: 2 back, 2 chest, 2 side, 1 tool
- 2 pass-through pockets
- All pockets and key stress points bartacked for strength
- Action back and elastic waist



Prod. No.	Mod. No.	Colour	Women's Sizes
V2020450	5514W	Orange	XS-2XL

Hi-Viz Industrial Wash Safety Poly/Cotton Coveralls

- 7 oz (240 GSM) poly/cotton
- Suitable for industrial wash
- CSA Z96-15 Class 3 Level 2 and ANSI/ISEA 107-15 Class 3 Type P and R
- Double-stitched StarTech™ reflective tape
- 2-way heavy-duty brass zipper
- 18" brass leg zippers for easy boot access
- Adjustable snap wrists
- 7 storage pockets: 2 back, 2 chest, 2 side, 1 tool
- 2 pass-through pockets
- All pockets and key stress points bartacked for strength
- Action back and elastic waist



Prod. No.	Mod. No.	Colour	Sizes
V2021510	5513	Hi-Viz Orange	36-60
V202151T	5513T	Hi-Viz Orange	40T-60T

Cut-Resistant Gloves - Level 4

- 13 gauge composite filament provides superior cut resistance and dexterity
- ANSI level A4 cut-resistant protection
- Ergonomic PU-coated palm and finger for better grip and abrasion resistance
- Non-coated back for breathability and flexibility
- Applications: automotive, glass and sheet metal handling, metal stamping/fabrication

Prod. No.	Mod. No.	Colour	Sizes
V5011140	5361	Salt & pepper with grey coating	M-2XL



Cut-Resistant Gloves - Level 5

- 13 gauge composite filament provides superior cut resistance and dexterity
- Blended with steel fibre for stronger cut protection
- ANSI level A7 cut-resistant protection
- Black foam nitrile coated palm and finger provides better grip in oily and wet conditions
- Non-coated back for breathability and flexibility
- Applications: automotive/aerospace, metal stamping/fabrication, glass handling, construction

Prod. No.	Mod. No.	Colour	Sizes
V5011240	5362	Salt & pepper with black coating	M-2XL





Traffic Stop/Slow Paddle 12"

- Lightweight and durable aluminum octagonal bat
- 12" handle with comfortable foam grip
- Stainless steel bolts
- 12" x 12" sign

Prod. No.	Mod. No.	Colour	Dimensions
V6020440	454	Red/Orange	12" x 12"



Traffic Stop/Slow Paddle 16"

- Lightweight and durable aluminum octagonal bat
- Hi-luminance type III reflective
- Meets BC provincial requirements
- 12" handle with comfortable foam grip
- Stainless steel bolts
- 16" x 16" sign

Prod. No.	Mod. No.	Colour	Dimensions
V6020540	455	Red/Yellow	16" x 16"



Traffic Stop/Slow Paddle 18"

- Lightweight and durable aluminum octagonal bat
- Hi-luminance type III reflective
- Meets AB-MB-SK provincial requirement
- 12" handle with comfortable foam grip
- Stainless steel bolts
- 18" x 18" sign

Prod. No.	Mod. No.	Colour	Dimensions
V6020640	456	Red/Orange	18" x 18"



Traffic Stop/Slow Paddle 18" – French Version Only

- Lightweight and durable aluminum octagonal bat
- Hi-luminance micro-prismatic type III reflective
- Meets Quebec provincial requirement
- 12" powder coated metal handle with comfortable foam grip
- Stainless steel bolts
- 18" x 18" sign

Prod. No.	Mod. No.	Colour	Dimensions
V6020740	466	Red/Orange	18" x 18"



Traffic Stop/Stop Paddle 12" – French Version Only

- Lightweight and durable aluminum octagonal bat
- 12" powder coated metal handle with comfortable foam grip
- Stainless steel bolts
- 12" x 12" sign

Prod. No.	Mod. No.	Colour	Dimensions
V6020840	467	Red	12" x 12"



Traffic Stop/Stop Paddle 12"

- Lightweight and durable aluminum octagonal bat
- 12" powder coated metal handle with comfortable foam grip
- Stainless steel bolts
- 12" x 12" sign

Prod. No.	Mod. No.	Colour	Dimensions
V6020940	468	Red	12" x 12"

Stop/Slow Sign Paddle Extension Pole



- Non-extendable wooden handle

Prod. No.	Mod. No.	Length
V6021130	2302	4.3'

Stop/Slow Sign Paddle Extension Pole



- Durable aluminum handle
- Powder-coated connecting head

Prod. No.	Mod. No.	Length
V6021140	2301	Extendable from 3.6' to 6.5'

Wooden Dowel Rods for Traffic Flag



Prod. No.	Mod. No.	Length	Diameter
V6301340	458	24"	3/4"
V6301440	459	36"	3/4"

36" Premium PVC Flexible Safety Cone

- Factory-attached 4" and 6" high-luminance Type 3 bands for superior visibility
- Soft, high-quality, injection-moulded PVC
- Hi-viz colour with UV protection
- One-piece design for strength and durability
- Bounces back to shape when run over
- Superior strength and flexibility
- Durable heavy, black rubberized base
- Stable, wide-body design
- Stackable for easy storage
- 100% recyclable design
- Not recommended for use below -20°C

Prod. No.	Mod. No.	Colour	Product Weight	Product Height
V6200950	186	Orange	10 lb	36"



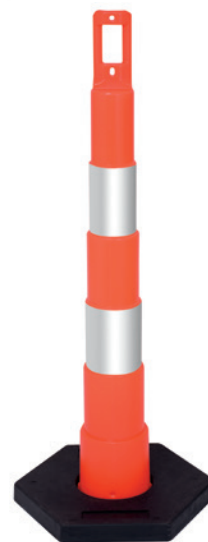
Retractable Safety Cone

- Durable nylon hi-viz fabric with rivets
- Black rubberized base
- Collapsible to minimum height for easy storage and transportation
- 196 - 1 band
- 197 - 2 bands

Prod. No.	Mod. No.	Colour	Product Weight	Product Height
V6201150	196	Orange	5.2 lb (2.3 kg)	18"
V6201260	197	Orange	6.6 lb (3 kg)	28"

Stackable Delineator

- Two 6" high-intensity Type 3 reflective bands at the top of the post
- LDPE material withstands cold temperatures to -20°C
- Stackable design saves storage space
- Base not included



Wheel Chock

- For loading dock safety
- Hi-viz orange for superior visibility
- Tough PU construction for durability and grip
- Traditional eyebolt for sturdy security chain connection



Prod. No.	Mod. No.	Colour	Product Weight
V6220860	2306	Hi-Viz Orange	4.4 lb (2 kg)

Prod. No.	Mod. No.	Colour	Height
V6210350	2319	Hi-Viz Orange	48"

Safety Warning Triangle - 3-pack

- Easily unfolds from weighted tubular base
- Non-slip pads
- Air flow design helps reduce wind turbulence
- 4-point bracing for stability
- Foldable for storage in carrying case

Prod. No.	Mod. No.	Colour	Dimensions
V6301150	373	Red/Orange	17.3" sides



Square Delineator Base

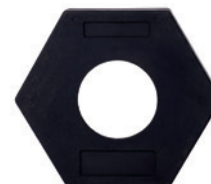
- Durable PE material
- Odour-free
- Handle slot for easy carrying



Prod. No.	Mod. No.	Colour	Sizes	Product Weight
V6220970	2305	Black	16" x 16"	11 lb (5 kg)

Stackable Delineator Base

- PU/PE compound material
- Durably built
- Compatible with stackable delineator #2319
- 7.7" hole diameter



Prod. No.	Mod. No.	Colour	Product Weight
V6221070	2320	Black	17.6 lb (8 kg)



Hi-Viz 8" Traffic Cuffs

- Hi-viz polyester mesh with solid binding
- 2" silver Startech™ double reflective tape
- Long hook and loop system for adjustment
- CSA Z96-15 (must be worn with other CSA approved Class 2 apparel)
- ANSI/ISEA 107-15 Class E Supplemental Type
- Sold individually

Prod. No.	Mod. No.	Colour	Length
V1040154	166	Hi-Viz Orange	8"
V1040164	164	Hi-Viz Yellow	8"



Hi-Viz Elastic Arm Band

- Stretchy hi-viz arm band with hook and loop closure
- 2" premium elastic with 2" reflective tape
- Provides extra visibility and comfort
- Sold in pairs

Mod. No.	Colour	Length	
V1041160	1141	Hi-Viz Yellow/Green	13"



Hi-Viz Elastic Ankle Band

- Stretchy hi-viz ankle band with hook and loop closure
- 2" premium elastic with 2" reflective tape
- Provides extra visibility and comfort
- Sold in pairs

Prod. No.	Mod. No.	Colour	Length
V1041260	1142	Hi-Viz Yellow/Green	14"



Elastic Leg Band

- Stretchy ankle band with hook and loop closure
- 2" premium elastic
- Keeps pant cuffs snug to your work boots
- Sold in pairs

Prod. No.	Mod. No.	Colour	Length
V1041370	1144	Black	14"

Hi-Viz Safety Sash

- Premium 1.5" elastic
- Adjustable elastic waist band and chest straps
- Startech™ reflective tape
- Quick-release waist buckle



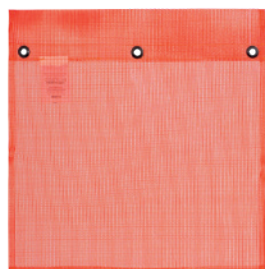
Prod. No.	Mod. No.	Colour	Size
V1041050	5496	Hi-Viz Orange	Fit-All
V1041060	5497	Hi-Viz Yellow/Green	Fit-All



Polyester Flag w/ Waterproof Coating

- Dowel sleeve
- Three grommets on the side
- Folded over and sewn on all edges for superior durability

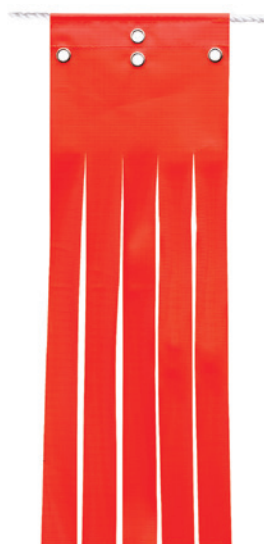
Prod. No.	Mod. No.	Colour	Dimensions
V6020960	369	Orange	12" x 12"



PE Mesh Flags with Grommets

- Dowel sleeve
- Folded over and sewn on all edges for superior durability

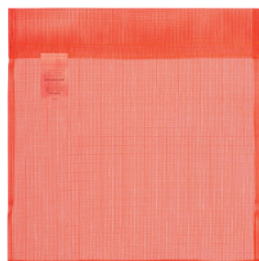
Prod. No.	Mod. No.	Colour	Dimensions
V6301160	367G	Red	16" x 16"
V6301260	368G	Red	18" x 18"



Shredded Flag

- Durable coated hi-viz orange material
- Includes rope and grommets

Prod. No.	Mod. No.	Colour	Dimensions
V6021560	462	Hi-Viz Orange	6" x 18"



PE Mesh Flags

- Dowel sleeve
- Folded over and sewn on all edges for superior durability

Prod. No.	Mod. No.	Colour	Dimensions
V6301760	367	Red	16" x 16"
V6301860	368	Red	18" x 18"

"Danger Do Not Enter" Tape

- Visual barricade tape to block off designated areas
- Can be used indoor or outdoor



Prod. No.	Mod. No.	Colour	Length	Width	Thickness
V6310460	379	Black on red background	1,000'	3"	.04 mm

INDEX

020311.....	14	684202.....	5	685133.....	6	685254.....	6	715260.....	9	V1120150.....	26
020315.....	14	684203.....	5	685134.....	6	685255.....	6	715262.....	9	V1170260.....	26
020723.....	14	684204.....	5	685135.....	6	685256.....	6	715265.....	9	V1190560.....	27
020728.....	14	684289.....	5	685136.....	6	685257.....	6	715267.....	9	V1190660.....	27
020731.....	14	684290.....	5	685137.....	6	685258.....	6	715270.....	9	V2020450.....	29
020736.....	14	684291.....	5	685138.....	6	685259.....	6	715274.....	9	V2021510.....	29
030404.....	17	684292.....	5	685139.....	6	685260.....	6	715275.....	9	V202151T.....	29
030405.....	17	684293.....	5	685140.....	6	685261.....	6	715278.....	9	V2540310.....	28
030408.....	17	684294.....	5	685141.....	6	685262.....	6	715279.....	9	V254031T.....	28
030417.....	17	684295.....	5	685142.....	6	685263.....	6	715281.....	9	V2540350.....	28
030470.....	16	684296.....	5	685143.....	6	685264.....	6	715284.....	9	V254035T.....	28
101042.....	13	684297.....	5	685144.....	6	685265.....	6	715289.....	9	V2540450.....	28
101046.....	13	684298.....	5	685145.....	6	685266.....	6	715294.....	9	V2540480.....	28
110306.....	13	684299.....	5	685146.....	6	685267.....	6	715299.....	9	V3080397.....	26
110307.....	13	684519.....	5	685147.....	6	685268.....	6	715302.....	9	V3100271.....	27
110308.....	13	684522.....	5	685148.....	6	685269.....	6	715305.....	9	V5011140.....	29
355131.....	13	684524.....	5	685149.....	6	685270.....	6	715308.....	9	V5011240.....	29
400428.....	12	684526.....	5	685150.....	6	685271.....	6	715309.....	9	V6020440.....	30
420401.....	10	684527.....	5	685151.....	6	685272.....	6	715311.....	9	V6020540.....	30
420402.....	10	684528.....	5	685152.....	6	685274.....	6	715314.....	9	V6020640.....	30
420451.....	11	684529.....	5	685153.....	6	685276.....	6	715315.....	9	V6020740.....	30
420452.....	11	684530.....	5	685154.....	6	685514.....	7	715317.....	9	V6020840.....	30
420501.....	10	684532.....	5	685155.....	6	685515.....	7	715321.....	9	V6020940.....	30
420502.....	10	684533.....	5	685156.....	6	685516.....	7	715323.....	9	V6020960.....	33
420551.....	11	684535.....	5	685157.....	6	685517.....	7	719174.....	8	V6021130.....	30
420552.....	11	684536.....	5	685158.....	6	685518.....	7	719176.....	8	V6021140.....	30
420701.....	10	684538.....	5	685159.....	6	685519.....	7	719177.....	8	V6021560.....	33
420702.....	10	684541.....	5	685160.....	6	685522.....	7	719179.....	8	V6200950.....	31
420751.....	11	684546.....	5	685161.....	6	685523.....	7	719182.....	8	V6201150.....	31
420752.....	11	684550.....	5	685162.....	6	685525.....	7	719185.....	8	V6201260.....	31
422052.....	11	684554.....	5	685163.....	6	685526.....	7	719188.....	8	V6210350.....	31
422401.....	10	684555.....	5	685164.....	6	685527.....	7	719191.....	8	V6220860.....	31
422402.....	10	684558.....	5	685165.....	6	685528.....	7	849832.....	15	V6220970.....	31
422451.....	11	684560.....	5	685166.....	6	685529.....	7	849836.....	15	V6221070.....	31
422452.....	11	684563.....	5	685167.....	6	685530.....	7	849841.....	15	V6301150.....	31
422501.....	10	684565.....	5	685168.....	6	685531.....	7	849842.....	15	V6301160.....	33
422502.....	10	684567.....	5	685169.....	6	685532.....	7	849843.....	15	V6301260.....	33
422551.....	11	684570.....	5	685170.....	6	685533.....	7	S16610.....	21	V6301340.....	30
422552.....	11	684575.....	5	685171.....	6	685534.....	7	S19002.....	21	V6301440.....	30
422701.....	10	684580.....	5	685172.....	6	685535.....	7	S19451.....	21	V6301760.....	33
422702.....	10	684624.....	5	685174.....	6	685536.....	7	S19452.....	21	V6301860.....	33
422751.....	11	684626.....	5	685176.....	6	685537.....	7	S19454.....	21	V6310460.....	33
422752.....	11	684627.....	5	685180.....	6	685538.....	7	S26100.....	20	V7016750.....	27
422901.....	10	684628.....	5	685221.....	6	685539.....	7	S26200.....	20	V8009010.....	22
422902.....	10	684629.....	5	685222.....	6	685540.....	7	S26400.....	20	V81031025.....	22
422951.....	11	684630.....	5	685223.....	6	685541.....	7	S27001.....	21	V8051041.....	23
422952.....	11	684632.....	5	685224.....	6	685542.....	7	S27005.....	21	V8051042.....	23
503565.....	12	684633.....	5	685225.....	6	685543.....	7	S27006.....	21	V8051043.....	23
503567.....	12	684635.....	5	685226.....	6	685544.....	7	S27710.....	21	V8051044.....	23
503569.....	12	684636.....	5	685227.....	6	685545.....	7	S27720.....	21	V8051045.....	23
503573.....	12	684638.....	5	685228.....	6	685548.....	7	S27740.....	21	V8051051.....	23
503575.....	12	684641.....	5	685229.....	6	685549.....	7	S29501-10.....	21	V8051052.....	23
503577.....	12	684646.....	5	685230.....	6	685550.....	7	S61970.....	21	V8051053.....	23
503579.....	12	684650.....	5	685231.....	6	685556.....	7	S96110.....	18	V8051054.....	23
566221.....	12	684655.....	5	685232.....	6	685559.....	7	S96111.....	18	V8051055.....	23
566222.....	12	684660.....	5	685233.....	6	685562.....	7	S96112.....	18	V8056041.....	23
566223.....	12	684665.....	5	685234.....	6	685565.....	7	S96113.....	18	V8056042.....	23
674635.....	5	684670.....	5	685235.....	6	685568.....	7	V1010180.....	24	V8056043.....	23
674636.....	5	684675.....	5	685236.....	6	689901.....	7	V1010570.....	24	V8056044.....	23
674638.....	5	684680.....	5	685237.....	6	689902.....	7	V102195A.....	24	V8056045.....	23
674641.....	5	684953.....	7	685238.....	6	689903.....	7	V102196A.....	24	V8056051.....	23
674646.....	5	685001.....	7	685239.....	6	689904.....	7	V1023560.....	24	V8056052.....	23
674650.....	5	685004.....	7	685240.....	6	689905.....	7	V1023650.....	25	V8056053.....	23
674654.....	5	685007.....	7	685241.....	6	689906.....	7	V1023660.....	25	V8056054.....	23
674655.....	5	685121.....	6	685242.....	6	689907.....	7	V1030560.....	25	V8056055.....	23
674658.....	5	685122.....	6	685243.....	6	689908.....	7	V1040154.....	32	V8109106.....	22
674660.....	5	685123.....	6	685244.....	6	700580.....	8	V1040164.....	32	V8109126.....	22
674663.....	5	685124.....	6	685245.....	6	700581.....	8	V1041050.....	33	V8455277-5LE.....	22
674665.....	5	685125.....	6	685246.....	6	700583.....	8	V1041060.....	33	V856230.....	23
674667.....	5	685126.....	6	685247.....	6	700586.....	8	V1041160.....	32	V856231.....	23
674670.....	5	685127.....	6	685248.....	6	700591.....	8	V1041260.....	32	V856240.....	23
674671.....	5	685128.....	6	685249.....	6	700595.....	8	V1041370.....	32	V856241.....	23
674675.....	5	685129.....	6	685250.....	6	700945.....	8	V1051180.....	25	V860309.....	23
674677.....	5	685130.....	6	685251.....	6	700950.....	8	V1052550.....	25		
674680.....	5	685131.....	6	685252.....	6	700955.....	8	V1052560.....	25		
684201.....	5	685132.....	6	685253.....	6	715256.....	9	V1110670.....	26		



Our products are available from a broad distribution network throughout Canada. We support this network with our own system of warehouses in Vancouver, Edmonton, Winnipeg, Toronto, Montreal and Halifax. This distribution network ensures fast deliveries and superior service to our customers.

Date of publication April, 2018



Western Canada & Territories
(Vancouver Customer Service Centre)

Toll Free Tel.: 1-800-472-7685
Toll Free Fax: 1-800-663-7742
Sales Tel.: 604-523-7600
Sales Fax: 604-523-7693

Head Office (Vancouver)

Tel.: 604-523-TOOL (8665)
Fax: 604-526-JET1 (5381)



Ontario & Quebec
(Toronto Customer Service Centre)

Toll Free Tel.: 1-800-387-3879
Toll Free Tel.: 1-800-363-2885 (French)
Toll Free Fax: 1-800-267-3310
Sales Tel.: 905-565-8661
Sales Fax: 905-565-7266

Atlantic Canada

Toll Free Tel.: 1-800-472-7686
Toll Free Fax: 1-877-468-3461
Sales Tel.: 902-468-8324
Sales Fax: 902-468-3461

OUR FAMILY OF TOOL, EQUIPMENT & SAFETY BRANDS



\$1.99

899923



0 59629 88587 1

surewerx.com