

## FIG. 161N LF & FIG. 1615 LF

Lead Free\* Brass Ball Valves



Lead Free\* Brass Ball Valve – NPT  
161N LF 1/4" - 4" Full Port  
Connection: ANSI B 1.20.1 - Female/Female



Lead Free\* Brass Ball Valve – Solder  
1615 LF 1/2" - 3" Full Port  
Connection: ANSI B 16.18 - Solder Ends



### FEATURES

- Low Cost, Lead Free\*, Ball Valve Solution
- Pressure Rating: 600psi WOG - 150psi WSP
- Temperature Rating: 366° F
- Blow Out Proof Stem
- Chrome Plated Brass Ball
- P.T.F.E. Seats & Double O-Ring Stem Packing

\* Lead free refers to the wetted surface of pipe, fittings and fixtures in potable water systems that have a weighted average lead content = 0.25%. Source: California Health & Safety Code (116875). Vermont Act 193.

### MATERIAL SPECIFICATIONS

BODY: Brass CW 510L  
END CONNECTION: Brass CW 510L  
BALL: (1/4" - 2") Brass CW 510L – Chrome Plated; (2 1/2" - 4") Steel - Chrome Plated  
STEM: Brass CW 510L  
HANDLE: Steel  
BALL SEAT: P.T.F.E.  
THRUST WASHER: P.T.F.E.  
O-RING: NBR & FKM  
NUT: Steel

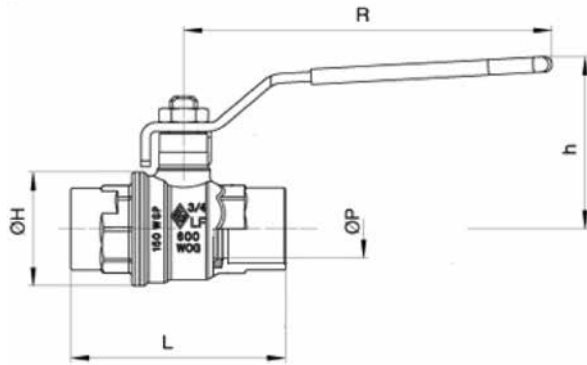
#### AVAILABLE OPTIONS

Lever Handle, Lock Device, Memory Stop, Stem Extension, and "T" Handle

| PROJECT INFORMATION |  | APPROVAL STAMP                             |  |
|---------------------|--|--|--|
| Project:            |  | <input type="checkbox"/> Approved          |  |
| Address:            |  | <input type="checkbox"/> Approved as noted |  |
| Contractor:         |  | <input type="checkbox"/> Not approved      |  |
| Engineer:           |  | Remarks:                                   |  |
| Submittal Date:     |  |  |  |
| Notes 1:            |  |  |  |
| Notes 2:            |  |  |  |

## FIG. 161N LF & FIG. 1615 LF

Lead Free\* Brass Ball Valves



\* Lead free refers to the wetted surface of pipe, fittings and fixtures in potable water systems that have a weighted average lead content = 0.25%. Source: California Health & Safety Code (116875). Vermont Act 193.

| DIMENSIONS                              |        |        |        |        |        |          |        |     |       |                 |
|---|--------|--------|--------|--------|--------|----------|--------|-----|-------|-----------------|
| Valve Code                              | Size   | ØP     | ØH     | L      | h      | R        | Cv     | WOG | WSP   | Approx. Wt. Ea. |
|   | in./mm | in./mm | in./mm | in./mm | in./mm | in./mm   |        |     |       | Lbs./Kg         |
| 161N LF<br>FULL PORT<br>THREADED<br>END | 1/4    | 0.39   | 0.90   | 2.02   | 1.65   | 3.86     | 6.29   | 600 | 150   | 0.33            |
|   | 8      | 9.9    | 22.9   | 51.3   | 41.9   | 98.0     |        |     |       | 0.15            |
|   | 3/8    | 0.39   | 0.90   | 2.02   | 1.65   | 3.86     | 6.99   | 600 | 150   | 0.30            |
|   | 10     | 9.9    | 22.9   | 51.3   | 41.9   | 98.0     |        |     |       | 0.14            |
|   | 1/2    | 0.55   | 1.18   | 2.22   | 1.69   | 3.78     | 19.00  | 600 | 150   | 0.42            |
|   | 15     | 14.0   | 30.0   | 56.4   | 42.9   | 96.0     |        |     |       | 0.19            |
|   | 3/4    | 0.75   | 1.42   | 2.46   | 2.22   | 4.76     | 34.50  | 600 | 150   | 0.71            |
|   | 20     | 19.1   | 36.1   | 62.5   | 56.4   | 120.9    |        |     |       | 0.32            |
|   | 1      | 0.94   | 1.71   | 3.01   | 2.32   | 4.76     | 50.18  | 600 | 150   | 0.99            |
|   | 25     | 24.0   | 43.4   | 76.5   | 58.9   | 120.9    |        |     |       | 0.45            |
|   | 1 1/4  | 1.19   | 2.09   | 3.37   | 2.85   | 5.94     | 103.70 | 600 | 150   | 1.74            |
|   | 32     | 30.2   | 53.1   | 85.6   | 74.4   | 150.9    |        |     |       | 0.79            |
|   | 1 1/2  | 1.50   | 2.56   | 3.70   | 3.09   | 5.94     | 268.40 | 600 | 150   | 2.45            |
|   | 40     | 38.1   | 65.0   | 94.0   | 78.5   | 150.9    |        |     |       | 1.11            |
| 2                                       | 1.95   | 3.39   | 4.33   | 3.70   | 6.30   | 309.20   | 600    | 150 | 4.85  |                 |
| 50                                      | 49.5   | 86.1   | 110.0  | 94.0   | 160.0  |          |        |     | 2.20  |                 |
| 2 1/2                                   | 2.44   | 4.09   | 5.16   | 4.59   | 8.07   | 624.00   | 600    | 150 | 8.22  |                 |
| 65                                      | 62.0   | 103.9  | 131.1  | 116.6  | 205.0  |          |        |     | 3.73  |                 |
| 3                                       | 2.99   | 4.96   | 5.94   | 4.98   | 8.07   | 1,009.00 | 600    | 150 | 13.07 |                 |
| 80                                      | 75.9   | 126.0  | 150.9  | 126.5  | 205.0  |          |        |     | 5.93  |                 |
| 4                                       | 3.94   | 6.54   | 7.60   | 6.54   | 10.31  | 1,622.00 | 600    | 150 | 27.34 |                 |
| 100                                     | 100.1  | 166.1  | 193.0  | 166.1  | 261.9  |          |        |     | 12.40 |                 |
| 1615 LF<br>FULL PORT<br>SOLDERED<br>END | 1/2    | 0.55   | 1.22   | 2.19   | 1.77   | 3.78     | 18.90  | 600 | 150   | 0.39            |
|   | 15     | 14.0   | 31.0   | 55.6   | 45.0   | 96.0     |        |     |       | 0.18            |
|   | 3/4    | 0.75   | 1.46   | 2.78   | 2.22   | 4.76     | 34.22  | 600 | 150   | 0.63            |
|   | 20     | 19.1   | 37.1   | 70.6   | 56.4   | 120.9    |        |     |       | 0.29            |
|   | 1      | 0.94   | 1.76   | 3.37   | 2.32   | 4.76     | 49.88  | 600 | 150   | 0.95            |
|   | 25     | 24.0   | 44.7   | 85.6   | 58.9   | 120.9    |        |     |       | 0.43            |
|   | 1 1/4  | 1.19   | 2.11   | 3.86   | 2.85   | 5.94     | 103.00 | 600 | 150   | 1.79            |
|   | 32     | 30.2   | 53.6   | 98.0   | 72.4   | 150.9    |        |     |       | 0.81            |
|   | 1 1/2  | 1.50   | 2.64   | 4.48   | 3.09   | 5.94     | 307.00 | 600 | 150   | 2.58            |
|   | 40     | 38.1   | 67.1   | 113.8  | 78.5   | 150.9    |        |     |       | 1.17            |
|   | 2      | 1.95   | 3.39   | 5.33   | 3.70   | 6.30     | 307.00 | 600 | 150   | 5.03            |
|   | 50     | 49.5   | 86.1   | 135.4  | 94.0   | 160.0    |        |     |       | 2.28            |
|   | 2 1/2  | 2.44   | 4.09   | 6.14   | 4.59   | 8.07     | 622.00 | 600 | 150   | 8.80            |
|   | 65     | 62.0   | 103.9  | 156.0  | 116.6  | 205.0    |        |     |       | 3.99            |
| 3                                       | 2.99   | 4.96   | 7.17   | 4.98   | 8.07   | 1,005.00 | 600    | 150 | 12.87 |                 |
| 80                                      | 75.9   | 126.0  | 182.1  | 126.5  | 205.0  |          |        |     | 5.84  |                 |