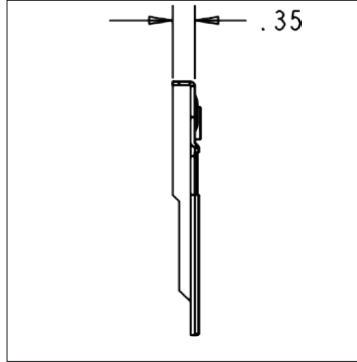


ELGEN FLANGE CORNER-BOLT TYPE



Product Data Sheet



Features

- Holds ductwork together in conjunction with the Elgen Flange.
- Provides a sealing surface for the Elgen 440 Butyl Gasket
- Union Made-Yellow Label

Description

The Elgen Flange Corner is designed to be used with the Elgen Flange System for rectangular ductwork.

Optional Construction

- G90
- Stainless Steel 304
- Stainless Steel 316
- Aluminum
- PCD
- Galvanneal (Paint Grip)
- Agion (Antimicrobial Coating)

Standard Construction

Stamped 16 GA ASTM A-653 G60 material
Accepts a 3/8" carriage bolt
Weight(per box): 45 lbs

Packaging

Box Qty	Skid Qty
300	28,800

Guarantee

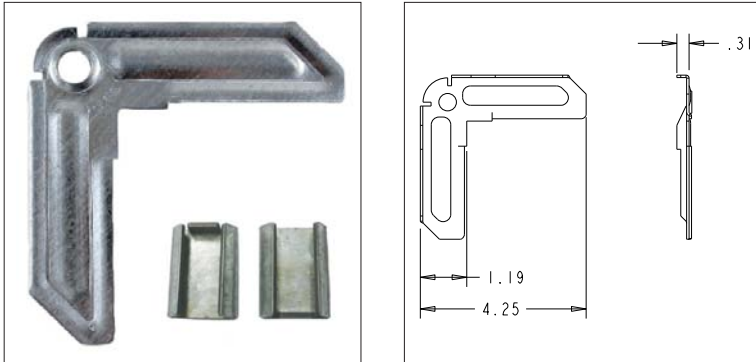
All Elgen products are guaranteed by Elgen Manufacturing against defective material.

Elgen Manufacturing
10 Railroad Ave, Closter NJ 07624
Tel: 800.503.9805 :: Fax: 201.964.9030
info@elgenmfg.com :: www.elgenmfg.com

ELGEN FLANGE CORNER-CLIP TYPE



Product Data Sheet



Features

- Clips enable you to avoid using a carriage bolt and hex nut.
- Holds ductwork together in conjunction with the Elgen Flange.
- Provides a sealing surface for the Elgen 440 Butyl Gasket
- Union Made-Yellow Label

Description

The Elgen Flange Corner is designed to be used with the Elgen Flange System for rectangular ductwork.

Optional Construction

- G90
- Stainless Steel 304
- Stainless Steel 316
- Aluminum
- PCD
- Galvanneal (Paint Grip)
- Agion (Antimicrobial Coating)

Standard Construction

Elgen Flange Corners are Stamped from 16 GA ASTM A-653 G60 material
Clips Fasteners are stamped from 16 GA ASTM A-653 G60 material
Weight(per box): 43 lbs

Packaging

Box Qty	Skid Qty
300	28,800

Guarantee

All Elgen products are guaranteed by Elgen Manufacturing against defective material.

Elgen Manufacturing
10 Railroad Ave, Closter NJ 07624
Tel: 800.503.9805 :: Fax: 201.964.9030
info@elgenmfg.com :: www.elgenmfg.com