

# FMA4P, FMA4X Apartment Fan Coils Sizes 18 To 36 1-1/2 To 3 Nominal Tons

## Product Data

### All Models

- 1-1/2, 2, 2-1/2, and 3 Tons
- Upflow application only
- Accessory field-installed electric heat kits available in 5, 7.5, or 10 kW
- 208/230-1-60 supply voltage
- Cabinet exterior is galvanized sheet metal
- Cabinet air leakage rate below 1.4% when tested to ASHRAE Standard 193
- Insulated for conditioned space (not to be installed in unconditioned spaces)
- All Aluminum coils

### FMA4P

- For use with R-410A refrigerant utilizing standard piston

### FMA4X

R-410A refrigerant, TXV standard

### Performance

- PSC motor on all FMA4P
- ECM motor on all FMA4X
- Motor suspended on rubber grommets for quieter operation
- Fresh air intake knockouts in cabinet

### Easy To Install And Service

- Units fits between standard stud spacings
- All service access is located in the front
- Primary and secondary drain connections exit from the bottom, access panel in bottom of cabinet
- No return-air ductwork required in specific applications
- Wall hanging brackets included with the unit



A180014



Use of the AHRI Certified TM Mark indicates a manufacturer's participation in the program. For verification of certification for individual products, go to [www.ahridirectory.org](http://www.ahridirectory.org).



A210098

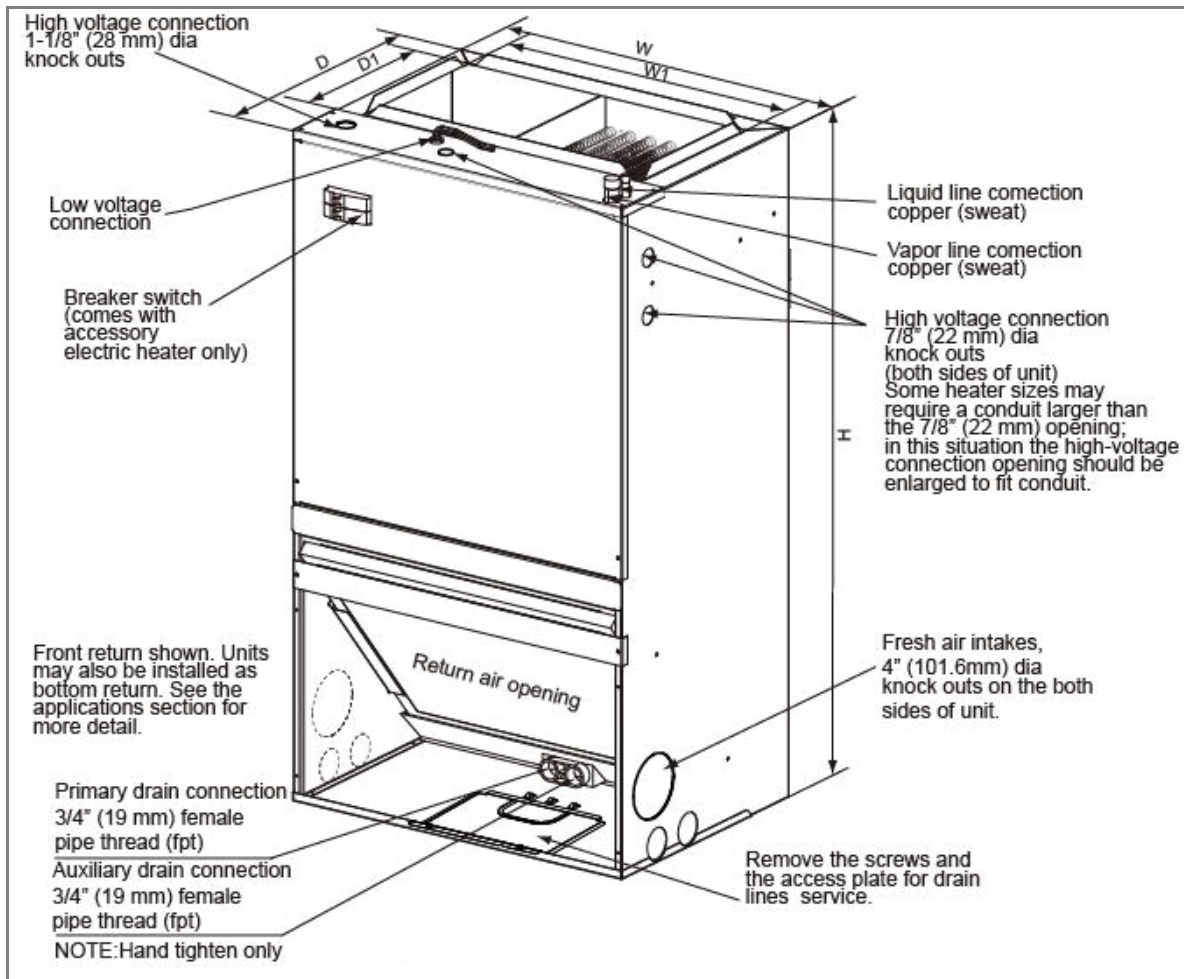
Model	Tons	Nominal BTU	CFM (L/s)		Dimensions H x W x D in. (mm)	Filter Size in. (mm)	Ship Wt. lbs. (kg)
			Min	Max			
FMA4P1800AL	1-1/2	18,000	450 (212)	675 (319)	36-1/2 x 20-1/2 x 15 (928 x 521 x 381)	16 x 20 (406 x 508)	101 (46)
FMA4P2400AL	2	24,000	600 (283)	900 (425)			101 (46)
FMA4P3000AL	2-1/2	30,000	750 (354)	1125 (531)	39-1/2 x 22 x 19 (1004 x 559 x 483)	20 x 20 (508 x 508)	123 (56)
FMA4P3600AL	3	36,000	900 (425)	1350 (637)			123 (56)
FMA4X1800AL	1-1/2	18,000	450 (212)	675 (319)	36-1/2 x 20-1/2 x 15 (928 x 521 x 381)	16 x 20 (406 x 508)	101 (46)
FMA4X2400AL	2	24,000	600 (283)	900 (425)			101 (46)
FMA4X3000AL	2-1/2	30,000	750 (354)	1125 (531)	39-1/2 x 22 x 19 (1004 x 559 x 483)	20 x 20 (508 x 508)	123 (56)
FMA4X3600AL	3	36,000	900 (425)	1350 (637)			123 (56)

**Table 1 – Fan Coil Number Identification Guide**

	<b>F</b>	<b>M</b>	<b>A</b>	<b>4</b>	<b>P</b>	<b>2400</b>	<b>A</b>	<b>L</b>
F = Fan Coil								
M = Multi-Family		<b>TYPE</b>						
A = Apartment		<b>INSTALLATION TYPE</b>						
4 = Environmentally Balanced R-410A				<b>REFRIGERANT</b>				
P = Piston & PSC Motor								
X = TXV & ECM Motor				<b>METERING DEVICE / BLOWER TYPE</b>				
1800 = 18,000 BTUH = 1-1/2 tons								
2400 = 24,000 BTUH = 2 tons								
3000 = 30,000 BTUH = 2-1/2 tons								
3600 = 36,000 BTUH = 3 tons						<b>NOMINAL CAPACITY</b>		
A = Marketing Revision								<b>REVISION</b>
L = Aluminum Coil								<b>SALES CODE / FEATURES</b>

**Table 2 – Electric Heater Model Number Identification Guide**

	<b>EHK</b>	<b>2</b>	<b>05</b>	<b>B</b>
EHK = Electric Heater Kit				
Sales Code				
05 = 5 kW				
08 = 7.5 kW				
10 = 10 kW				<b>NOMINAL HEAT VALUE</b>
Engineering Code				



A170309

**Dimensional Data**

**Table 3 – Dimensions**

Unit Size		kbtu	18	24	30	36
Power supply		V-Ph-Hz	208/230V 1Ph 60Hz	208/230V 1Ph 60Hz	208/230V 1Ph 60Hz	208/230V 1Ph 60Hz
Indoor unit	Dimension (WxHxD)	mm	522x928x 381	522x928x 381	554x1003x482	554x1003x482
		inch	20-1/2x36-1/2x15	20-1/2x36-1/2x15	22x39-1/2x19	22x39-1/2x19
	Packing (WxHxD)	mm	580x1060x440	580x1060x440	615x1140x540	615x1140x540
		inch	22-4/5 x 41-3/5 x 17-1/3	22-4/5 x 41-3/5 x 17-1/3	24-1/5 x 44-4/5 x 21-1/4	24-1/5 x 44-4/5 x 21-1/4
	Net/Gross Weight	Kg	39/46 (PSC) 36/43 (ECM)	39/46 (PSC) 36/43 (ECM)	46/56 (PSC) 44/54 (ECM)	46/56 (PSC) 44/54 (ECM)
		lbs	86/101 (PSC) 79/95 (ECM)	86/101 (PSC) 79/95 (ECM)	101/123 (PSC) 97/119 (ECM)	101/123 (PSC) 97/119 (ECM)
Duct Connection	Dimension (W1xD1)	mm	422x242	422x242	477x242	477x242
		inch	17-2/5x9-1/2	17-2/5x9-1/2	18-4/5x9-1/2	18-4/5x9-1/2
Drain Pan Connection	Primary/Auxiliary	inch	3/4 FPT / 3/4 FPT	3/4 FPT / 3/4 FPT	3/4 FPT / 3/4 FPT	3/4 FPT / 3/4 FPT

**Table 4 – Required Clearances, All Models – inches (mm)**

No Heaters	All Sides	0
	From Supply Duct	0
With Heaters	All Sides	0
	From Supply Duct	0

Table 5 – Physical Data – FMA4P

Unit Size	18	24	30	36
Nominal Cooling Capacity (BTUH)	18,000	24,000	30,000	36,000
COIL				
- Refrigerant metering Device Piston*	.049	.057	.065	.070
Fins Per In.	17	17	17	17
Face Area Ft <sup>2</sup>	2.149	2.149	2.955	2.955
Coil Configuration	Slope			
<b>BLOWER &amp; MOTOR</b>				
Air Discharge	Upflow			
Blower Type	Direct Drive			
CFM (Nominal)	600	800	1000	1200
Motor Type	PSC	PSC	PSC	PSC
Motor HP	1/6	1/4	1/3	1/2
Rated RPM	1075	1075	1075	1075
Motor Speeds	3	3	3	3
<b>FILTER</b>				
Field Installed - in (mm)	16x20x1 (406x508x25)	16x20x1 (406x508x25)	20x20x1 (508x508x25)	20x20x1 (508x508x25)
<b>CONNECTIONS (Sweat)</b>				
Suction - in. (mm)	3/4 In. (19 mm)			
Liquid - in. (mm)	3/8 In. (9.5 mm)			
Condensate (FPT) - in. (mm)	3/4 In. (19 mm)			
<b>ELECTRICAL DATA</b>				
Voltage	208/230	208/230	208/230	208/230
Hertz	60	60	60	60
Circuit Amps	0.8	1.0	1.28	1.8
Minimum Circuit Ampacity	1	1.3	1.6	2.3
Maximum Circuit Protector	15 (A)	15 (A)	15 (A)	15 (A)

\* The piston included with the fan coil is unique to this product and CANNOT be replaced with the piston shipped with outdoor unit. Refer to the AHRI ratings to check if your combination can use the piston shipped with the unit or requires an accessory TXV.

Table 6 – Physical Data – FMA4X

Unit Size	18	24	30	36
Nominal Cooling Capacity (BTUH)	18,000	24,000	30,000	36,000
COIL				
Fins Per In.	17	17	17	17
Face Area Ft <sup>2</sup>	2.149	2.149	2.955	2.955
Coil Configuration	Slope			
<b>BLOWER &amp; MOTOR</b>				
Air Discharge	Upflow			
Blower Type	Direct Drive			
CFM (Nominal)	600	800	1000	1200
Motor Type	ECM	ECM	ECM	ECM
Motor HP	1/3	1/3	1/2	1/2
Rated RPM	1050	1050	1050	1050
Motor Speeds	5	5	5	5
<b>FILTER</b>				
Field Installed - in (mm)	16x20x1 (406x508x25)	16x20x1 (406x508x25)	20x20x1 (508x508x25)	20x20x1 (508x508x25)
<b>CONNECTIONS (Sweat)</b>				
Suction - in. (mm)	3/4 In. (19 mm)			
Liquid - in. (mm)	3/8 In. (9.5 mm)			
Condensate (FPT) - in. (mm)	3/4 In. (19 mm)			
<b>ELECTRICAL DATA</b>				
Voltage	208/230	208/230	208/230	208/230
Hertz	60	60	60	60
Circuit Amps	1.9	1.9	2.7	2.7
Minimum Circuit Ampacity	2.4	2.4	3.4	3.4
Maximum Circuit Protector	15	15	15	15

## PERFORMANCE DATA

**Table 7 – PSC - Airflow Performance (standard CFM)**

MODELS	BLOWER SPEEDS	EXTERNAL STATIC PRESSURE (IN WC.)								
		0	0.1	0.2	0.3	0.4	0.5	0.6	0.7	0.8
FMA4P1800AL	High	813	775	731	692	653	609	560	501	424
	Med	695	656	620	581	540	498	440	380	-
	Low	603	562	525	485	443	393	-	-	-
FMA4P2400AL	High	947	895	847	799	753	704	655	592	530
	Med	845	801	759	716	675	626	573	510	-
	Low	676	640	602	563	523	499	-	-	-
FMA4P3000AL	High	1367	1312	1252	1192	1131	1063	990	908	821
	Med	1211	1165	1114	1065	1016	960	899	833	748
	Low	992	952	912	873	828	782	728	656	627
FMA4P3600AL	High	1397	1345	1290	1263	1196	1116	1051	980	907
	Med	1298	1252	1198	1147	1094	1037	976	910	842
	Low	1149	1105	1056	1008	960	909	856	791	726

■ - Shaded boxes represent airflow outside the required 300-450 CFM/ton.

**NOTES:**

- Airflow data includes electric heat and filter.
- Airflow data is with no return grill. When using a return grill on 18 & 24 sizes, decrease numbers above by approx. 10 CFM. For 30 & 36 sizes, decrease numbers above by approx. 50 CFM

**Table 8 – ECM - Airflow Performance (standard CFM)**

MODEL SIZE	BLOWER SPEEDS	EXTERNAL STATIC PRESSURE (IN WC.)								
		0	0.1	0.2	0.3	0.4	0.5	0.6	0.7	0.8
FMA4X1800AL	Tap(5)	913	881	848	818	792	763	731	691	650
	Tap(4)	825	787	753	717	682	650	617	580	540
	Tap(3)	737	700	663	630	589	550	511	474	436
	Tap(2)-Factory	675	632	596	555	521	480	440	399	366
	Tap(1)	590	548	499	455	430	368	338	309	263
FMA4X2400AL	Tap(5)	913	881	848	818	792	763	731	691	650
	Tap(4)-Factory	825	787	753	717	682	650	617	580	540
	Tap(3)	737	700	663	630	589	550	511	474	436
	Tap(2)	675	632	596	555	521	480	440	399	366
	Tap(1)	590	548	499	455	430	368	338	309	263
FMA4X3000AL	Tap(5)	1362	1325	1266	1238	1197	1159	1119	1080	1040
	Tap(4)	1282	1242	1176	1151	1111	1071	1028	975	936
	Tap(3)	1267	1225	1143	1120	1078	1036	993	942	897
	Tap(2)-Factory	1157	1111	1052	1016	971	929	884	842	802
	Tap(1)	1077	1028	965	932	886	850	804	768	732
FMA4X3600AL	Tap(5)	1362	1325	1266	1238	1197	1159	1119	1080	1040
	Tap(4)-Factory	1282	1242	1176	1151	1111	1071	1028	975	936
	Tap(3)	1267	1225	1143	1120	1078	1036	993	942	897
	Tap(2)	1157	1111	1052	1016	971	929	884	842	802
	Tap(1)	1077	1028	965	932	886	850	804	768	732

■ - Shaded boxes represent airflow outside the required 300-450 CFM/ton.

**NOTES:**

- Airflow based upon dry coil at 230V with no electric heat and factory-approved filter. For FMA4X, airflow at 208V is approximately the same as 230V because the multi-tap ECM motor is a constant torque motor. The torque doesn't drop off at the speeds in which the motor operates.
- Airflow is equivalent for front or bottom return configurations.

**Table 9 – Minimum and Maximum CFM**

Size	Min	Max
18	450	675
24	600	900
30	750	1125
36	900	1350

**Table 10 – Sensible Capacity (SHC) Correction Factor**

BYPASS FACTOR	ENTERING AIR DRY-BULB TEMPERATURE (°F)					
	79	78	77	76	75	Under 75
	81	82	83	84	85	Over 85
	ENTERING AIR DRY-BULB TEMPERATURE (°C)					
	26	25	25	24	24	Under 75
	27	28	28	29	29	Over 85
Correction Factor						
0.10	.098	1.96	2.94	3.92	4.91	Use formula shown below
0.20	0.87	1.74	2.62	3.49	4.36	
0.30	0.76	1.53	2.29	3.05	3.82	

Interpolation is permissible.

$$\text{Correction Factor} = 1.09 \times (1 - \text{BF}) \times (\text{db} - 80)$$

**NOTES:**

- Contact manufacturer for cooling capacities at conditions other than shown in table.
- Formulas:  
 Leaving db = entering db -  $\frac{\text{sensible heat cap.}}{1.09 \times \text{CFM}}$   
 Leaving wb = wb corresponding to enthalpy of air leaving coil ( $h_{lwb}$ )  
 $h_{lwb} = h_{ewb} - \frac{\text{total capacity (Btuh)}}{4.5 \times \text{CFM}}$   
 where  $h_{ewb}$  = enthalpy of air entering coil. Direct interpolation is permissible.  
 Do not extrapolate.
- SHC is based on 80°F (27°C) db temperature of air entering coil.  
 Below 80°F (27°C) db, subtract (Correction Factor x CFM) from SHC.  
 Above 80°F (27°C) db, add (Correction Factor x CFM) to SHC.
- Bypass Factor = 0 indicates no psychometric solution.  
 Use bypass factor of next lower EWB for approximation.

Table 11 – Gross Cooling Capacities (MBH)

INDOOR COIL AIR		SATURATED TEMPERATURE LEAVING EVAPORATOR (deg F)														
		35			40			45			50			55		
CFM	EWB	TC	SHC	BF	TC	SHC	BF	TC	SHC	BF	TC	SHC	BF	TC	SHC	BF
<b>FMA4(X,P)1800AL</b>																
525	72	29.75	13.91	0.00	27.17	12.76	0.01	24.23	11.51	0.02	20.89	10.17	0.02	17.13	8.77	0.02
	67	24.71	14.48	0.03	22.05	13.24	0.03	19.02	11.91	0.03	15.59	10.50	0.03	11.73	9.03	0.03
	62	20.11	14.95	0.03	17.35	13.63	0.03	14.34	12.28	0.03	11.68	11.68	0.06	9.91	9.91	0.20
600	72	32.47	15.15	0.00	29.68	13.92	0.02	26.50	12.59	0.02	22.86	11.15	0.03	18.75	9.64	0.03
	67	27.04	15.91	0.03	24.15	14.58	0.03	20.85	13.15	0.03	17.10	11.62	0.03	12.87	10.02	0.03
	62	22.04	16.54	0.03	19.03	15.12	0.03	15.77	13.66	0.03	12.99	12.99	0.08	11.02	11.02	0.22
675	72	34.94	16.29	0.01	31.98	15.00	0.02	28.57	13.60	0.03	24.67	12.08	0.03	20.26	10.47	0.03
	67	29.15	17.24	0.04	26.08	15.85	0.04	22.53	14.33	0.04	18.50	12.70	0.04	13.93	10.98	0.04
	62	23.81	18.05	0.04	20.61	16.55	0.04	17.10	14.99	0.04	14.24	14.24	0.10	12.08	12.08	0.23
<b>FMA4(X,P)2400AL</b>																
INDOOR COIL AIR		SATURATED TEMPERATURE LEAVING EVAPORATOR (deg F)														
		35			40			45			50			55		
CFM	EWB	TC	SHC	BF	TC	SHC	BF	TC	SHC	BF	TC	SHC	BF	TC	SHC	BF
<b>FMA4(X,P)3000AL</b>																
700	72	37.53	18.55	0.01	34.36	17.10	0.03	30.70	15.51	0.03	26.52	13.79	0.04	21.79	11.96	0.04
	67	31.33	19.68	0.04	28.04	18.11	0.04	24.24	16.39	0.04	19.90	14.54	0.04	15.00	12.59	0.04
	62	25.60	20.65	0.04	22.17	18.96	0.04	18.42	17.19	0.04	15.39	15.39	0.10	13.05	13.05	0.24
800	72	40.55	20.05	0.03	37.16	18.53	0.03	33.24	16.86	0.04	28.73	15.04	0.04	23.67	13.10	0.04
	67	33.93	21.49	0.05	30.40	19.83	0.05	26.32	18.01	0.05	21.65	16.05	0.05	16.35	13.94	0.05
	62	27.80	22.74	0.05	24.14	20.96	0.05	20.14	19.08	0.05	17.05	17.05	0.12	14.46	14.46	0.26
900	72	43.24	21.41	0.04	39.65	19.84	0.04	35.50	18.10	0.05	30.72	16.19	0.05	25.36	14.17	0.05
	67	36.24	23.16	0.05	32.51	21.44	0.05	28.19	19.54	0.05	23.22	17.48	0.05	17.59	15.25	0.05
	62	29.76	24.71	0.05	25.92	22.86	0.05	21.74	20.87	0.06	18.61	18.61	0.15	15.79	15.79	0.27
<b>FMA4(X,P)3600AL</b>																
INDOOR COIL AIR		SATURATED TEMPERATURE LEAVING EVAPORATOR (deg F)														
		35			40			45			50			55		
CFM	EWB	TC	SHC	BF	TC	SHC	BF	TC	SHC	BF	TC	SHC	BF	TC	SHC	BF
<b>FMA4(X,P)4200AL</b>																
875	72	47.47	21.63	0.00	43.42	19.90	0.02	38.78	18.01	0.03	33.46	15.96	0.03	27.43	13.79	0.03
	67	39.55	22.86	0.03	35.35	20.99	0.03	30.52	18.95	0.04	25.01	16.76	0.04	18.78	14.44	0.04
	62	32.25	23.91	0.04	27.87	21.89	0.04	23.08	19.80	0.04	19.10	19.10	0.09	16.16	16.16	0.23
1000	72	51.44	23.44	0.02	47.10	21.62	0.03	42.11	19.63	0.03	36.37	17.46	0.04	29.88	15.15	0.04
	67	42.96	25.02	0.04	38.45	23.04	0.04	33.25	20.88	0.04	27.29	18.53	0.04	20.53	16.04	0.04
	62	35.12	26.39	0.04	30.43	24.25	0.04	25.29	22.01	0.04	21.21	21.21	0.11	17.95	17.95	0.25
1125	72	54.98	25.09	0.03	50.40	23.21	0.04	45.09	21.12	0.04	38.98	18.84	0.04	32.11	16.42	0.04
	67	46.01	27.02	0.05	41.24	24.96	0.05	35.71	22.69	0.05	29.36	20.23	0.05	22.15	17.58	0.05
	62	37.70	28.72	0.05	32.76	26.51	0.05	27.36	24.14	0.05	23.22	23.22	0.13	19.66	19.66	0.27
<b>FMA4(X,P)4800AL</b>																
INDOOR COIL AIR		SATURATED TEMPERATURE LEAVING EVAPORATOR (deg F)														
		35			40			45			50			55		
CFM	EWB	TC	SHC	BF	TC	SHC	BF	TC	SHC	BF	TC	SHC	BF	TC	SHC	BF
<b>FMA4(X,P)5400AL</b>																
1050	72	54.59	26.69	0.02	50.01	24.65	0.03	44.72	22.40	0.04	38.64	19.95	0.04	31.78	17.34	0.04
	67	45.63	28.59	0.04	40.86	26.37	0.04	35.36	23.92	0.04	29.04	21.27	0.04	21.87	18.44	0.05
	62	37.33	30.25	0.05	32.38	27.85	0.04	26.97	25.31	0.05	22.73	22.73	0.12	19.24	19.24	0.26
1200	72	58.74	28.79	0.03	53.86	26.67	0.04	48.22	24.31	0.05	41.71	21.72	0.05	34.40	18.98	0.05
	67	49.21	31.17	0.05	44.13	28.84	0.05	38.25	26.27	0.05	31.48	23.46	0.05	23.80	20.44	0.05
	62	40.37	33.27	0.05	35.14	30.77	0.05	29.44	28.08	0.06	25.15	25.15	0.14	21.30	21.30	0.27
1350	72	62.40	30.69	0.04	57.27	28.51	0.05	51.32	26.07	0.05	44.43	23.37	0.06	36.70	20.51	0.06
	67	52.38	33.56	0.06	47.03	31.15	0.06	40.83	28.47	0.06	33.69	25.54	0.06	25.56	22.36	0.06
	62	43.07	36.12	0.06	37.62	33.54	0.06	31.73	30.70	0.07	27.42	27.42	0.17	23.25	23.25	0.29

**Table 12 – Estimated Sound Power Level (dBA)**

<b>FMA ESTIMATED SOUND PRESSURE LEVEL</b>					
<b>Unit Size</b>	<b>kbtu</b>	<b>18</b>	<b>24</b>	<b>30</b>	<b>36</b>
Indoor sound pressure level	dBA High	50	54	54	54

<b>UNIT SIZE</b>	<b>CONDITIONS</b>		<b>OCTAVE BAND CENTER FREQUENCY</b>						
	<b>CFM</b>	<b>Ext Static Pressure</b>	<b>63</b>	<b>125</b>	<b>250</b>	<b>500</b>	<b>1000</b>	<b>2000</b>	<b>4000</b>
18	600	0.25	46	52.1	48.9	51.8	52.5	51.7	49.7
24	800	0.25	54.1	57.1	58.6	59	61.5	59.8	57
30	1000	0.25	51.6	52.6	52.6	53.3	56.1	52.8	59.7
36	1200	0.25	52.6	52.3	54.6	54.3	57.2	53.8	50.4

\* Estimated sound power levels have been derived using the method described in the 1987 ASHRAE HVAC Systems & Applications Handbook, Chapter 52, p. 52.7.

**Table 13 – Electrical Data for Fan Coil with Electric Heat – Combined Electrical Data**

<b>Nominal Fan Coil Capacity</b>	<b>Nominal Heat Capacity @ 240V</b>	<b>Minimum Circuit Ampacity (MCA)</b>		<b>MAX.Fuse or Breaker Heat Kit (HACR) Ampacity</b>	
MBTU	KW	208	240	208	240
18, PSC	5	23.6	27.1	30	30
	7.5	34.9	40.1	45	45
	10	46.2	53.1	60	60
24, PSC	5	23.9	27.3	30	30
	7.5	35.2	40.4	45	45
	10	46.4	53.4	60	60
30, PSC	5	24.2	27.7	30	30
	7.5	35.5	40.7	45	45
	10	46.8	53.7	60	60
36, PSC	5	24.9	28.3	30	30
	7.5	36.2	41.4	45	45
	10	47.4	54.4	60	60
18, ECM	5	25.0	28.5	30	30
	7.5	36.3	41.5	45	45
	10	47.6	54.5	60	60
24, ECM	5	25.0	28.5	30	30
	7.5	36.3	41.5	45	45
	10	47.6	54.5	60	60
30, ECM	5	26.0	29.5	30	30
	7.5	37.3	42.5	45	45
	10	48.6	55.5	60	60
36, ECM	5	26.0	29.5	30	30
	7.5	37.3	42.5	45	45
	10	48.6	55.5	60	60



**Table 14 – Electrical Data for FMA4P PSC Motor Units with Electric Heat Installed**

Heat Kit Model	Used on Size	Nominal Heat Capacity @ 240V	Shipping Weight	Heater Capacity (MBH)		Minimum Circuit Ampacity (MCA)		MAX. Fuse or Breaker Heat-Kit Ampacity (HACR)		Min Wire Size (AWG) ††		Min Ground Wire Size		Max Wire Length (Ft) ††	
		KW		lbs. (kg)	208	240	208	240	208	240	208	240	208	240	208
EHK205B	18	5	5.1 (2.3)	12.3	16.4	23.6	27.1	30	30	10	10	10	10	73	74
EHK208B		7.5		19.2	25.6	34.9	40.1	50	50	8	8	10	10	76	77
EHK210B		10		24.6	32.8	46.2	53.1	60	60	6	6	10	10	92	92
EHK205B	24	5	5.1 (2.3)	12.3	16.4	23.9	27.3	30	30	10	10	10	10	73	73
EHK208B		7.5		19.2	25.6	35.2	40.4	50	50	8	8	10	10	76	76
EHK210B		10		24.6	32.8	46.4	53.4	60	60	6	6	10	10	91	92
EHK205B	30	5	5.1 (2.3)	12.3	16.4	24.2	27.7	30	30	10	10	10	10	72	72
EHK208B		7.5		19.2	25.6	35.5	40.7	50	50	8	8	10	10	75	76
EHK210B		10		24.6	32.8	46.8	53.7	60	60	6	6	10	10	91	91
EHK205B	36	5	5.1 (2.3)	12.3	16.4	24.9	28.3	30	30	10	10	10	10	70	71
EHK208B		7.5		19.2	25.6	36.2	41.4	50	50	8	8	10	10	74	74
EHK210B		10		24.6	32.8	47.4	54.4	60	60	6	6	10	10	90	90

\* †† Copper wire must be used. If other than uncoated (non-plated), 75°C ambient, copper wire (solid wire for 10 AWG and smaller, stranded wire for larger than 10 AWG) is used, consult applicable tables of the National Electric Code (ANSI/NGPA 70).

\* †† Length shown is as measured 1 way along wire path between unit and service panel for a voltage drop not to exceed 2%.

**Table 15 – Electrical Data for FMA4X ECM Motor Units with Electric Heat Installed**

Heat Kit Model	Used on Size	Nominal Heat Capacity @ 240V	Shipping Weight	Heater Capacity (MBH)		Minimum Circuit Ampacity (MCA)		MAX. Fuse or Breaker Heat-Kit Ampacity (HACR)		Min Wire Size (AWG) ††		Min Ground Wire Size		Max Wire Length (Ft) ††	
		KW		lbs. (kg)	208	240	208	240	208	240	208	240	208	240	208
EHK205B	18	5	5.1 (2.3)	12.3	16.4	25	28.5	30	30	10	10	10	10	69	70
EHK208B		7.5		19.2	25.6	36.3	41.5	50	50	8	8	10	10	73	74
EHK210B		10		24.6	32.8	47.6	54.5	60	60	6	6	10	10	89	90
EHK205B	24	5	5.1 (2.3)	12.3	16.4	25	28.5	30	30	10	10	10	10	69	70
EHK208B		7.5		19.2	25.6	36.3	41.5	50	50	8	8	10	10	73	74
EHK210B		10		24.6	32.8	47.6	54.5	60	60	6	6	10	10	89	90
EHK205B	30	5	5.1 (2.3)	12.3	16.4	26	29.5	30	30	10	10	10	10	67	68
EHK208B		7.5		19.2	25.6	37.3	42.5	50	50	8	8	10	10	71	72
EHK210B		10		24.6	32.8	48.6	55.5	60	60	6	6	10	10	87	88
EHK205B	36	5	5.1 (2.3)	12.3	16.4	26	29.5	30	30	10	10	10	10	67	68
EHK208B		7.5		19.2	25.6	37.3	42.5	50	50	8	8	10	10	71	72
EHK210B		10		24.6	32.8	48.6	55.5	60	60	6	6	10	10	87	88

\* †† Copper wire must be used. If other than uncoated (non-plated), 75°C ambient, copper wire (solid wire for 10 AWG and smaller, stranded wire for larger than 10 AWG) is used, consult applicable tables of the National Electric Code (ANSI/NGPA 70).

\* †† Length shown is as measured 1 way along wire path between unit and service panel for a voltage drop not to exceed 2%.

**Table 16 – Other Accessories**

<b>Kit Number</b>	<b>Description</b>	<b>Used on sizes</b>
AMWK001WG	Louvered Wall Panel with Frame (6 pack)	18, 24
AMWK002WG	Louvered Wall Panel with Frame (6 pack)	30, 36
KSATX0601HSO	TXV Kit R-22	18, 24, 30, 36
KSATX0201PUR	TXV Kit R-410A	18, 24, 30
KSATX0301PUR	TXV Kit R-410A	36
	Return Air Opening Grille (10 pack)	18, 24
KFARA0210LGL	Return Air Opening Grille (10 pack)	30, 36
KFAET0150ETK	PVC Condensate Trap Kit (50 pack)	ALL