

# Commercial Rooftop Units 3 to 27.5 Tons

## Horn/Strobe Annunciator for Smoke Detectors

# Installation Instructions

Part Number CRSDHNSB001A00

### CONTENTS

	Page
<b>SAFETY CONSIDERATIONS</b> .....	1
<b>GENERAL</b> .....	1,2
<b>INSTALLATION</b> .....	2,3
<b>MAINTENANCE</b> .....	4


### SAFETY CONSIDERATIONS

**IMPORTANT:** Read these instructions completely before attempting to install the accessory horn/strobe annunciator.

Installing and servicing air-conditioning equipment can be hazardous due to system pressures and electrical components. Only trained, qualified personnel should install, repair, or service this equipment.

Untrained personnel can perform basic maintenance functions such as cleaning and replacing air filters. All other operations must be performed by trained service personnel. When working on air-conditioning equipment, observe precautions in the literature, on tags, and on labels attached to or shipped with the unit and other safety precautions that may apply.

Follow all safety codes. Wear safety glasses, protective clothing, and work gloves. Use quenching cloth for brazing operations. Have fire extinguisher available. Read these instructions thoroughly and follow all warnings or cautions included in the literature and attached to the unit. Consult local building codes, the current editions of the National Electrical Code (NEC) NFPA 70. In Canada, refer to the current editions of the Canadian Electrical Code CSA C22.1.

Recognize safety information. This is the safety-alert symbol . When you see this symbol on the unit and in instructions or manuals, be alert to the potential for personal injury. Understand these signal words: DANGER, WARNING, and CAUTION. These words are used with the safety-alert symbol. DANGER identifies the most serious hazards which **will** result in severe personal injury or death. WARNING signifies hazards which **could** result in personal injury or death. CAUTION is used to identify unsafe practices which **may** result in minor personal injury or product and property damage. NOTE is used to highlight suggestions which **will** result in enhanced installation, reliability, or operation.

#### WARNING

**ELECTRICAL SHOCK HAZARD** — Failure to follow this warning could result in personal injury or death and possible unit component damage.

Before installing or servicing the system, always turn off the main power to the system and install lockout tag. There may be more than one disconnect switch. Turn off accessory heater power switch, if applicable.

#### CAUTION

**CUT HAZARD** — Failure to follow this caution may result in personal injury.

Sheet metal parts may have sharp edges or burrs. Use care and wear appropriate clothing.

### GENERAL

The accessory horn/strobe annunciator (part no. CRSDHNSB001A00) is used with the factory-installed option or field-installed accessory Edwards four-wire duct smoke detector (controller part no. HK28ZT001 and sensor part no. HK50ZT001) and the accessory remote test/retest station (part no. CRSDTEST001A00). The horn/strobe annunciator, shown in Fig. 1, provides an audible and visual alarm with a clear colored lens. See Fig. 2 for dimensions and Table 1 for specifications.

**Table 1 — Horn/Strobe Annunciator Specifications**

<b>Compatible Electrical Box</b>	North American 1-gang box 2" (51 mm) x 4" (102 mm)
<b>Lens Color</b>	Clear lens
<b>Strobe Output</b>	50 Candela
<b>Horn dB</b>	92 dB at 1 meter 82 dB at 10 feet
<b>Operating Voltage</b>	24V AC/DC
<b>Current</b>	0.175 A at 24 VAC 0.125 A at 24 VDC
<b>Alarm Power (each)</b>	4.2 VA (AC) 3.0 VA (DC)

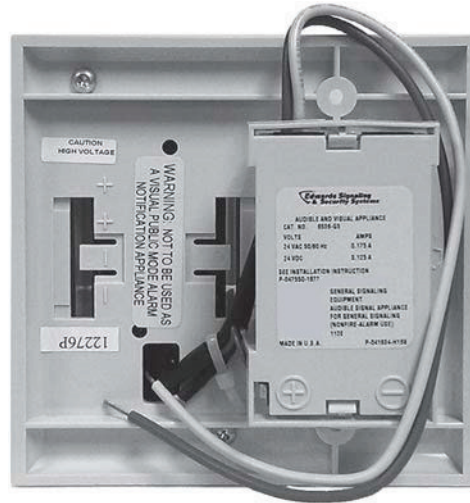
All applications require installation of a field-supplied 24-v transformer suitable for 4.2 VA (AC) or 3.0 VA (DC) per horn/strobe accessory. Following are specifications for a recommended transformer option available through Replacement Components.

VA RATING	PRIMARY VOLTS	HZ	SECONDARY VOLTS	PART NO.
75	120/208/240/480	50/60	24	P201-4701

Manufacturer reserves the right to discontinue, or change at any time, specifications or designs without notice and without incurring obligations.



FRONT VIEW



BACK VIEW

→ Fig. 1 — Horn/Strobe Annunciator

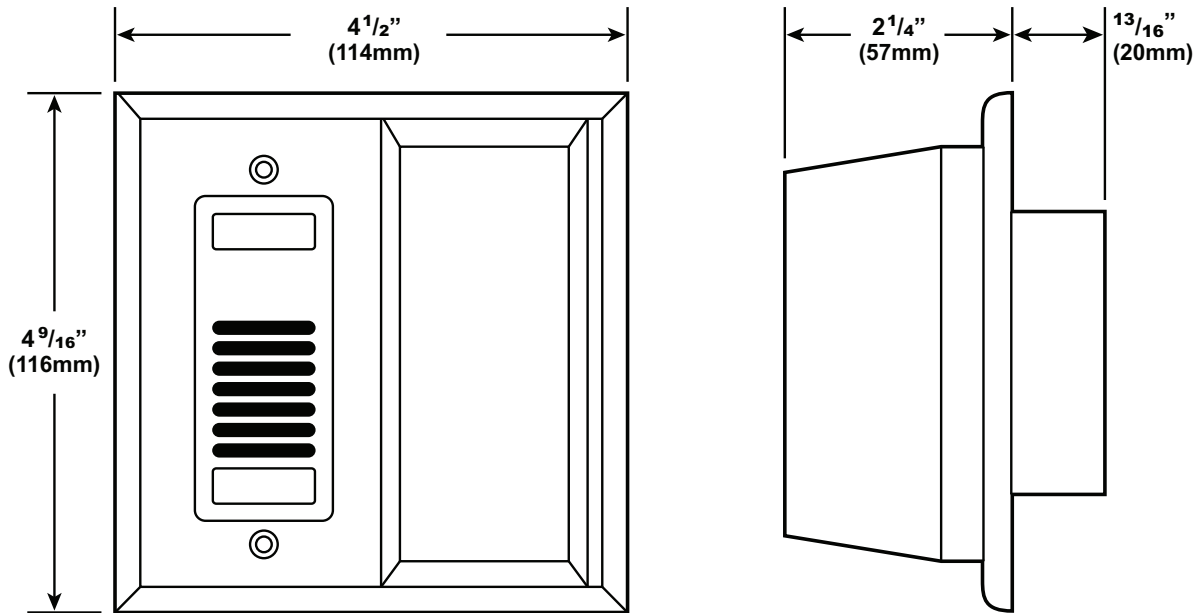


Fig. 2 — Horn/Strobe Annunciator — Dimensions

### INSTALLATION

#### ⚠ WARNING

**ELECTRICAL OPERATION HAZARD** — Failure to follow this warning could result in personal injury or death and possible unit component damage.

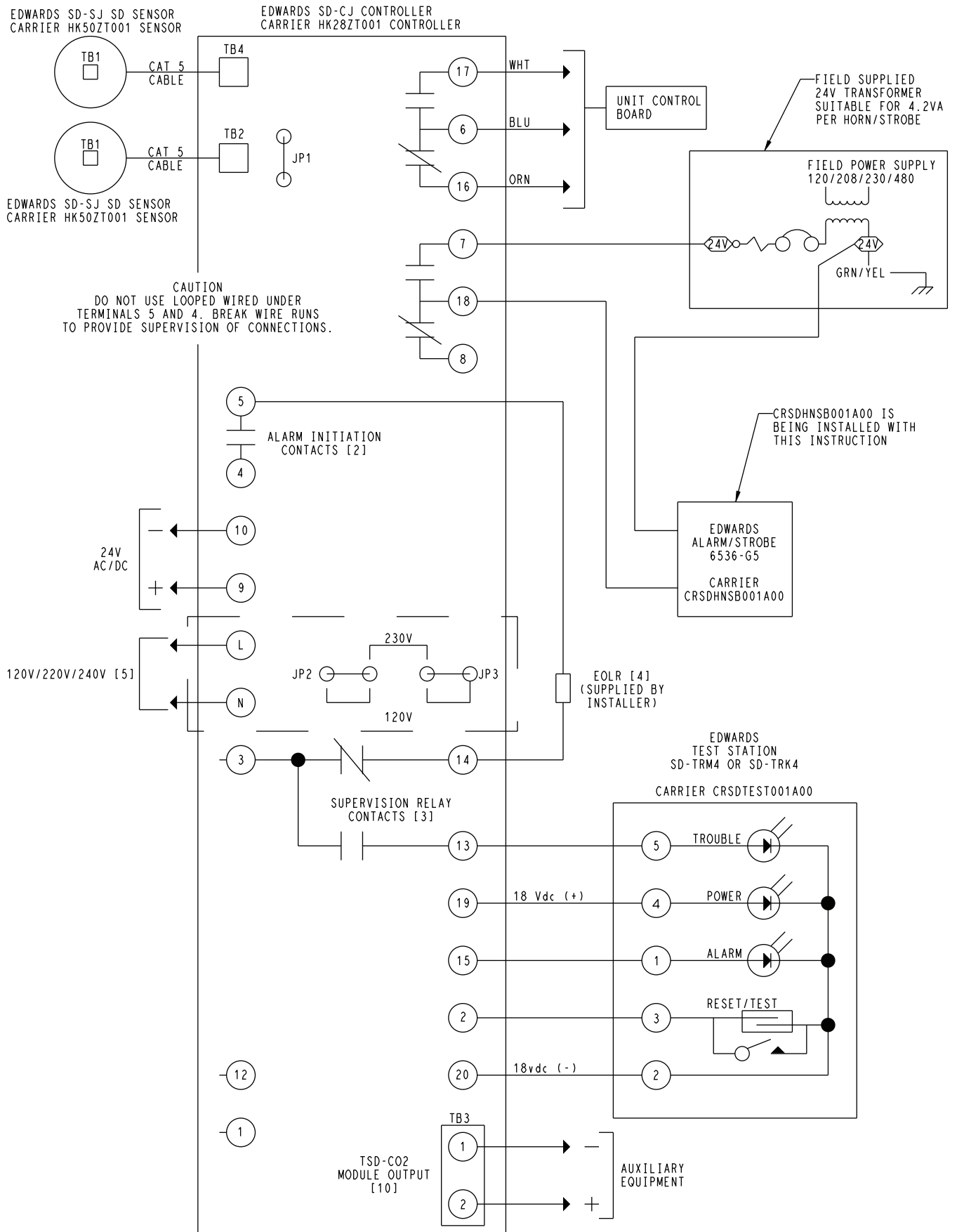
To reduce the risk of shock, do not remove the lens or tamper with the unit when the circuit is energized. Do not connect AC power until installation is complete.

#### ⚠ CAUTION

**UNIT OPERATION HAZARD** — Failure to install properly sized transformer may result in damage to unit components.

NOTE: This accessory is intended for indoor use only!

1. Install an appropriate electrical box using suitable hardware.
2. Refer to wiring diagram, Fig. 3, and connect the horn/strobe wire leads using 22 AWG (American Wire Gage) 95 F insulated wire.
3. Mount the horn/strobe onto the electrical box. Secure it using the two screws (supplied).



**Fig. 3 — Horn/Strobe Annunciator Wiring Diagram**

## MAINTENANCE

### **WARNING**

**ELECTRICAL OPERATION HAZARD** — Failure to follow this warning could result in personal injury or death and possible unit component damage.

To reduce the risk of shock, do not remove the lens or tamper with the unit when the circuit is energized. Disconnect power and allow five (5) minutes for stored energy to dissipate before starting work or disassembly. High energy could be stored in the strobe circuit once it is energized.

Perform regularly scheduled testing at least twice a year or more often as dictated by local authorities having jurisdiction.