

**24VNA6
INFINITY®
VARIABLE SPEED AIR CONDITIONER
WITH GREENSPEED™ INTELLIGENCE
2 TO 5 NOMINAL TONS**



Turn to the experts

PRODUCT DATA



Carrier's 24VNA6 with Greenspeed™ Intelligence is a variable speed cooling product providing up to 26 SEER cooling efficiency. Lower speed operation, when needed in cooling, for enhanced comfort and dehumidification.

This product has been designed and manufactured to meet Energy Star® criteria for energy efficiency when matched with appropriate coil components. Refer to the combination ratings in this Product Data for system combinations that meet Energy Star guidelines.

NOTE: Ratings contained in this document are subject to change at any time. Always refer to the AHRI directory (www.ahridirectory.org) for the most up-to-date ratings information.

Industry leading Features / Benefits

Energy Efficiency

- Up to 26 SEER, 16.5 EER
- Microtube Technology™ refrigeration system
- Indoor air quality accessories available

Sound

- Sound level as low as 51 dBA in low speed

Comfort

- Variable speed compressor with capacity range from 25-100%
- Air cooled Inverter variable speed drive
 - System requires Infinity Control with Greenspeed capability
 - Energy Tracking capability with the Infinity Control with latest software version
(Energy Tracking has the ability to monitor and estimate the energy consumption of your Infinity system.)

Reliability

- Non-ozone depleting Puron® refrigerant
- Front-seating service valves
- Greenspeed Intelligence actively monitors critical system parameters
- High pressure switch
- Discharge and suction pressure transducer
- TXV for cooling
- Filter drier (field installed)
- Internal crankcase heater standard

Flexibility and installation:

- 2 control wires to outdoor unit
- Minimum and maximum airflow adjustments

Durability

WeatherArmor Ultra™ protection package:

- Solid, Durable sheet metal construction
- Steel louver coil guard
- Baked-on, complete outer coverage, powder paint

Applications

- Long-line - up to 250 feet (76.2 m) total equivalent length, up to 200 feet (60.96 m) condenser above evaporator, or up to 80 ft. (24.38 m) evaporator above condenser (See Longline Guide for more information.)

Model Number Nomenclature

1	2	3	4	5	6	7	8	9	10	11	12	13
N	N	A	A	A/N	N	N	N	A/N	A/N	A/N	N	N
2	4	V	N	A	6	3	6	A	0	0	3	0
Product Series	Product Family	Tier	Major Series	SEER	Cooling Capacity	Variations	Open	Open	Voltage	Minor Series		
24 = AC	V = VS AC	N= Infinity Series	A = Puron		1,000 Btuh (nominal)	A = Standard	0=Not Defined	0=Not Defined	3=208/230-1	0, 1, 2...		



Use of the AHRI Certified TM Mark indicates a manufacturer's participation in the program. For verification of certification for individual products, go to www.ahridirectory.org.



Quality ISO 9001 SAIGLOBAL



This product has been designed and manufactured to meet Energy Star criteria for energy efficiency when matched with appropriate coil components. However, proper refrigerant charge and proper air flow are critical to achieve rated energy efficiency. Installation of this product should follow all manufacturing refrigerant charging and air flow instructions. Failure to maintain proper charge and air flow may reduce energy efficiency and shorten equipment life.

a04197

Standard Features

FEATURES	Unit Size			
	24	36	48	60
Puron Refrigerant	X	X	X	X
Variable Speed Rotary Compressor	X	X	X	
Variable Speed Scroll Compressor				X
Air-Cooling Inverter Drive	X	X	X	X
Louvered Coil Guard	X	X	X	X
Field-Installed Filter Drier	X	X	X	X
Front-Seating Service Valves	X	X	X	X
Internal Pressure and Temperature Protection	X	X	X	X
Suction Pressure Transducer	X	X	X	X
Discharge Pressure Transducer	X	X	X	X
High Pressure Switch	X	X	X	X
Crankcase Heater	X	X	X	X
Utility Interface Connections	X	X	X	X
Bluetooth® Module	X	X	X	X
Enhanced Diagnostics	X	X	X	X
Energy Tracking Capability	X	X	X	X
Dual Sound Blanket	X	X	X	X
Outdoor Air Temperature Sensor	X	X	X	X
Long Line Capability	X	X	X	X
Low Ambient Cooling down to 0°F capability with Infinity Control	X	X	X	X

X = Standard

Refrigerant Piping Length Limitations

Maximum Line Lengths:

The maximum allowable total equivalent length for Air Conditioners varies depending on the vertical separation. See the tables below for allowable lengths depending on whether the outdoor unit is on the same level, above or below the outdoor unit.

Maximum Line Lengths for Air Conditioner Applications

	MAXIMUM ACTUAL LENGTH* ft (m)	MAXIMUM EQUIVALENT LENGTH† ft (m)	MAXIMUM VERTICAL SEPARATION ft (m)
Units on equal level	200 (61)	250 (76.2)	N/A
Outdoor unit ABOVE indoor unit	200 (61)	250 (76.2)	200 (61)
Outdoor unit BELOW indoor unit	See Table 'Maximum Total Equivalent Length: Outdoor Unit BELOW Indoor Unit'		

*.Maximum actual length not to exceed 200 ft (61 m)

†.Total equivalent length accounts for losses due to elbows or fitting. See the Long Line Guideline for details.

Maximum Total Equivalent Length* - Outdoor Unit BELOW Indoor Unit

Size	Liquid Line Diameter w/ TXV	AC with Puron® Refrigerant - Maximum Total Equivalent Length* Vertical Separation ft (m) Outdoor unit BELOW indoor unit;						
		0-20 (0 - 6.1)	21-30 (6.4 - 9.1)	31-40 (9.4 - 12.2)	41-50 (12.5 - 15.2)	51-60 (15.5 - 18.3)	61-70 (18.6 - 21.3)	71-80 (21.6 - 24.4)
024	3/8	250*	250*	250*	250*	250*	250*	250*
036	3/8	250*	250*	250*	250*	250*	250*	250*
048	3/8	250*	250*	250*	250*	230	160	--
060	3/8	250*	225*	190	150	110	--	--

*.Total equivalent length accounts for losses due to elbows or fitting. See the Long Line Guideline for details.

-- = Outside acceptable range.

Long Line Applications

An application is considered Long Line when the refrigerant level in the system requires the use of accessories to maintain acceptable refrigerant management for systems reliability. Defining a system as long line depends on the liquid line diameter, actual length of the tubing, and vertical separation between the indoor and outdoor units.

For air conditioning systems, the chart below shows when an application is considered Long Line. Beyond these lengths, long line accessories are required:

AC with Puron® Refrigerant Long Line Description ft (m) Beyond these lengths, long line accessories are required

Liquid Line Size	Units On Same Level	Outdoor Below Indoor	Outdoor Above Indoor
3/8	80 (24.4)	20 (6.1) vertical or 80 (24.4) total	80 (24.4)

NOTE: See Long Line Guideline for details

COOLING CAPACITY LOSS TABLE

Nominal Size (Btuh)	Line OD (in)	Cooling Capacity Loss (%) Total Equivalent Length (ft)										
		25	50	75	80	100	125	150	175	200	225	250
24000	5/8	0.5	1.0	2.0	2.0	2.5	3.0	3.5	4.5	5.0	5.5	6.0
	3/4	0.0	0.5	0.5	0.5	1.0	1.0	1.5	1.5	2.0	2.0	2.5
36000	5/8	1.0	2.5	3.5	4.0	5.0	6.5	7.5	9.0	10.5	11.5	13.0
	3/4	0.5	1.0	1.5	1.5	2.0	2.5	3.0	3.0	3.5	4.0	4.5
	7/8	0.0	0.5	0.5	0.5	1.0	1.0	1.5	1.5	2.0	2.0	2.5
48000	3/4	0.5	1.5	2.5	2.5	3.0	4.0	5.0	5.5	6.5	7.5	8.0
	7/8	0.5	0.5	1.0	1.0	1.5	2.0	2.5	3.0	3.0	3.5	4.0
	1 1/8	0.0	0.0	0.0	0.5	0.5	0.5	0.5	0.5	1.0	1.0	1.0
60000	3/4	1.0	2.5	3.5	4.0	5.0	6.0	7.5	8.5	10.0	11.0	12.5
	7/8	0.5	1.0	1.5	2.0	2.5	3.0	3.5	4.0	5.0	5.5	6.0
	1 1/8	0.0	0.0	0.5	0.5	0.5	0.5	1.0	1.0	1.0	1.5	1.5

Rating size in BOLD

= TE Length greater than 80 ft requires long line accessory liquid line solenoid.

MIN/MAX Airflow tables

The indoor airflow delivered by this system varies significantly based on outdoor temperature, indoor unit combination, and system demand. The airflows on these tables are for duct design considerations.

Duct systems capable of these ranges will ensure the system will deliver full capacity at all outdoor temperatures.

Minimum and maximum airflows can be adjusted from these numbers in the Infinity Control Air Conditioner Setup screen.

Size	Cooling - Comfort Mode		Cooling - Efficiency Mode	
	Max Airflow	Min Airflow	Max Airflow	Min Airflow
24	825	300	900	500
36	1150	300	1150	300
48	1450	500	1450	500
60	1650	700	2000	700

Physical Data

UNIT SIZE SERIES	24-30	36-30	48-30	60-30
COMPRESSOR TYPE	Variable Speed rotary			Variable Speed Scroll
REFRIGERANT	Puron® (R-410A)			
Control	TXV (Puron® Hard Shutoff)			
Charge lb (kg)	15.35 (6.96)	14.7 (6.67)	14.15 (6.42)	15.20 (6.89)
COND FAN	Forward Swept Propeller Type, Direct Drive			
Air Discharge	Vertical			
Air Qty (CFM)	3100	3700	5200	4800
Motor HP	1/3	1/3	1/3	1/3
Motor RPM	200-750	200-800	200-800	200-800
COND COIL				
Face Area (Sq ft)	33	33	33	33
Fins per In.	20	20	20	20
Rows	2	2	2	2
Circuits	6	6	8	9
VALVE CONNECT. (In. ID)				
Vapor	3/4	7/8	7/8	7/8
Liquid	3/8			
REFRIGERANT TUBES (In. OD)				
Rated Vapor*	3/4	7/8	1-1/8	1-1/8
Max Liquid Line	3/8			

*. Units are rated with 25 ft (7.6 m) of lineset length. See Vapor Line Sizing and Cooling Capacity Loss table when using other sizes and lengths of lineset.

Note: See unit Installation Instruction for proper installation.

Electrical Data

UNIT SIZE-VOLTAGE, SERIES	V/PH	OPER VOLTS*		COMPR		FAN	MCA	MAX FUSE† or CKT BRK AMPS
		MAX	MIN	LRA	RLA	FLA		
24-30	208-230-1	253	197	N/A	6.2	0.88	8.7	10
36-30				N/A	10.3	0.88	13.8	20
48-30				N/A	14.6	0.88	19.2	30
60-30				N/A	20.1	0.88	26	40

*. Permissible limits of the voltage range at which the unit will operate satisfactorily

†. Time-Delay fuse.

FLA - Full Load Amps

LRA - Locked Rotor Amps

MCA - Minimum Circuit Amps

RLA - Rated Load Amps

NOTE: Control circuit is 24-V on all units and requires external power source. Copper wire must be used from service disconnect to unit.

All motors/compressors contain internal overload protection.

Complies with 2010 requirements of ASHRAE Standards 90.1

Sound Power Level (dBA)

Unit Size	Typical Octave Band Spectrum	Min Speed Cooling	Max Speed Cooling
24	Speed	900	3180
	125	54.5	61.5
	250	54.5	57.0
	500	45.4	53.4
	1000	45.6	53.6
	2000	36.1	48.8
	4000	33.1	47.5
	8000	42.7	46.8
	Sound Rating (dBA)	51	58
36	Speed	900	3720
	125	55.1	63.7
	250	56.8	63.0
	500	47.5	61.1
	1000	47.9	54.8
	2000	41.4	53.8
	4000	36.6	48.9
	8000	40.9	46.3
	Sound Rating (dBA)	53	62
48	Speed	900	3120
	125	54.1	67.4
	250	56.0	67.9
	500	48.7	64.4
	1000	49.0	60.9
	2000	38.2	61.1
	4000	34.6	56.7
	8000	42.0	55.6
	Sound Rating (dBA)	53	68
60	Speed	840.0	3420.0
	125	56.3	63.5
	250	54.8	65.7
	500	47.6	63.3
	1000	43.0	60.0
	2000	44.0	61.2
	4000	38.1	57.9
	8000	45.3	57.8
	Sound Rating (dBA)	52	67

NOTE: Tested in compliance with AHRI 270-2008 but not listed with AHRI.

Charging Subcooling (TXV-Type Expansion Device)

UNIT SIZE-VOLTAGE, SERIES	REQUIRED SUBCOOLING °F (°C) - See UI
24-30	Subcooling recommendation displayed on UI in Charging Mode must be followed
36-30	
48-30	
60-30	

Accessories

KIT NUMBER	KIT NAME	24-30	36-30	48-30	60-30
KSASF0201AAA	SUPPORT FEET	X	X	X	X
KHASS0606MPK	SNOW STAND	X	X	X	X
KSATX0301PUR	TXV KIT	X	X		
KSBTX0301PUR	TXV KIT	X	X		
KSATX0401PUR	TXV KIT			X	X
KSBTX0401PUR	TXV KIT			X	X
KHALS0401LLS	SOLENOID VALVE	X	X	X	X

X = Accessory

Accessory Usage Guideline

ACCESSORY	REQUIRED FOR LOW-AMBIENT COOLING APPLICATIONS (Below 55°F/12.8_C)	REQUIRED FOR LONG LINE APPLICATIONS* (Over 80 ft/24.38 m)	REQUIRED FOR SEA COAST APPLICATIONS (Within 2 miles/3.22 km)
Crankcase Heater	Standard	Standard	Standard
Evaporator Freeze Protection	Standard with Infinity Control	No	No
Liquid-Line Solenoid Valve	No	Yes	No
Low-Ambient Control	Standard with Infinity Control	No	No
Puron Refrigerant Balance Port Hard-ShutOff TXV	Yes†	Yes†	Yes†
Support Feet	Recommended	Recommended	Recommended
Winter Start Control	Standard with Infinity Control	No	No

*. For tubing set lengths between 80 and 200 ft. (24.38 and 60.96 m) horizontal or 20 ft. (6.10 m) vertical differential (total equivalent length), refer to the Long Line Guideline—Air Conditioners and Heat Pumps using Puron® Refrigerant.

†. Required on all indoor units. Standard on all new Greenspeed compatible fan coils and furnace coils.

Accessory Description and Usage (Listed Alphabetically)

1. Compressor Start Assist

The inverter drive gently starts the variable speed compressor at all times. No other start device is compatible with this unit.

2. Crankcase Heater

This unit has a compressor crankcase heater that will be energized to prevent the compressor from being the coldest part of the system thus enhancing reliability. the indoor unit and UI do not need to be installed for the crankcase heater to operate properly..

3. Liquid-Line Solenoid Valve (LLS)

An electrically operated shutoff valve which stops and starts refrigerant liquid flow in response to compressor operation. It is to be installed at the outdoor unit to control refrigerant off cycle migration in the OFF mode.

Usage Guideline:

An LLS is required in all long line applications to control refrigerant off cycle migration in the OFF mode. See Long Line Guideline.

Suggested for all commercial applications.

4. Snow Stand

Coated wire rack which supports unit 18 in. (457.2 mm) above mounting pad to allow for drainage from unit base.

Usage Guideline:

Suggested in the following applications:

- Installations in heavy snowfall areas.
- Installations in snow drift locations.
- Installations in areas of prolonged subfreezing temperatures.
- All commercial installations.

5. Thermostatic Expansion Valve (TXV) Bi-Flow

A modulating flow-control valve which meters refrigerant liquid flow rate into the evaporator in response to the superheat of the refrigerant gas leaving the evaporator.

Usage Guideline:

Accessory required to meet AHRI rating and system reliability, where indoor not equipped.


Dimensions

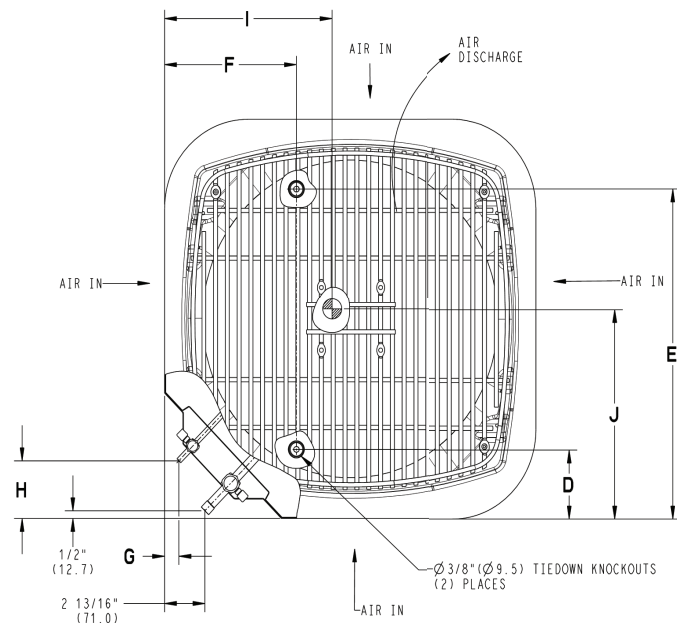
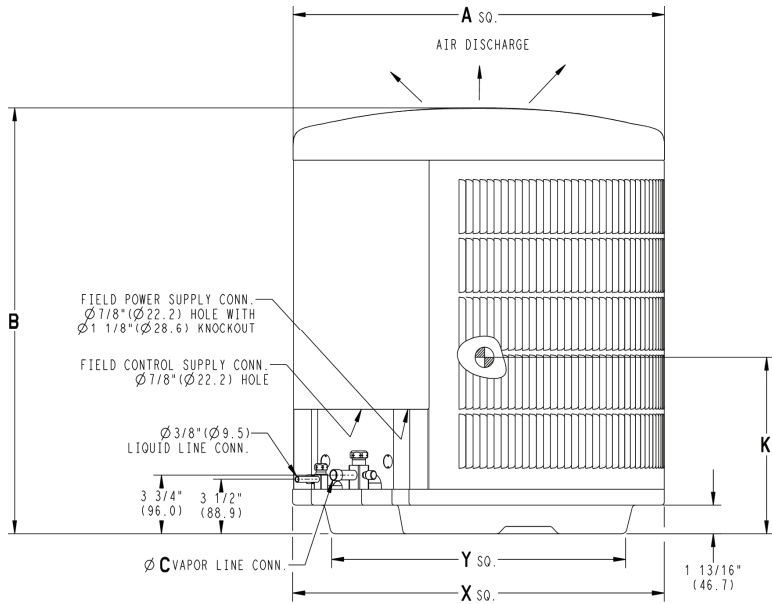
UNIT	SERIES	ELECTRICAL CHARACTERISTICS				A		B		C		D		E		F		G		H		I		J		K		OPERATING WEIGHT		SHIPPING WEIGHT		SHIPPING LENGTH / WIDTH (Sq.)		SHIPPING HEIGHT	
		INCH	MM	INCH	MM	INCH	MM	INCH	MM	INCH	MM	INCH	MM	INCH	MM	INCH	MM	INCH	MM	INCH	MM	INCH	MM	INCH	MM	INCH	MM	Lbs	Kgs	Lbs	Kgs	INCH	MM	INCH	MM
24VNA624A0030050	0	Y	N	N	N	35	889.0	47 3/16	1199.0	3/4	19.1	6 9/16	166.1	28 7/16	722.8	9 1/8	231.3	1 1/8	28.2	3 13/16	97.4	17 1/4	438.2	18	457.2	21 1/2	546.1	299	135.6	322	146.1	37 13/16	960.0	52	1321.4
24VNA636A0030050	0	Y	N	N	N	35	889.0	47 3/16	1199.0	7/8	22.2	6 9/16	166.1	28 7/16	722.8	9 1/8	231.3	1 1/8	28.2	3 13/16	97.4	16 1/2	419.1	16 1/2	419.1	21 3/4	552.5	310	140.6	333	151.0	37 13/16	960.0	52	1321.4
24VNA648A0030050	0	Y	N	N	N	35	889.0	47 3/16	1199.0	7/8	22.2	6 9/16	166.1	28 7/16	722.8	9 1/8	231.3	1 1/8	28.2	3 13/16	97.4	16 1/2	419.1	16 1/2	419.1	21	533.4	334	151.5	357	161.9	37 13/16	960.0	52	1321.4
24VNA660A0030040	0	Y	N	N	N	35	889.0	47 3/16	1199.0	7/8	22.2	6 9/16	166.1	28 7/16	722.8	9 1/8	231.3	1 1/8	28.2	3 13/16	97.4	16 5/8	422.3	16 1/4	412.8	21	533.4	339	153.8	362	164.2	37 13/16	960.0	52	1321.4

208-230-1-80	208/230-3-80	460-3-60	575-3-60
--------------	--------------	----------	----------

Y=YES
N=NO

NOTES:

1. CENTER OF GRAVITY 



UNIT SIZE	"X"		"Y"	
	MINIMUM GROUND MOUNTING PAD APPLICATION DIMENSIONS		MINIMUM ROOF-TOP MOUNTING PAD APPLICATION DIMENSIONS	
-	23 1/8	587.3	17 7/8	454.6
-	25 3/4	654.0	20 7/16	518.5
-	31 3/16	792.5	22 15/16	583.2
24,36,48,60	35	889.0	26 3/4	679.7

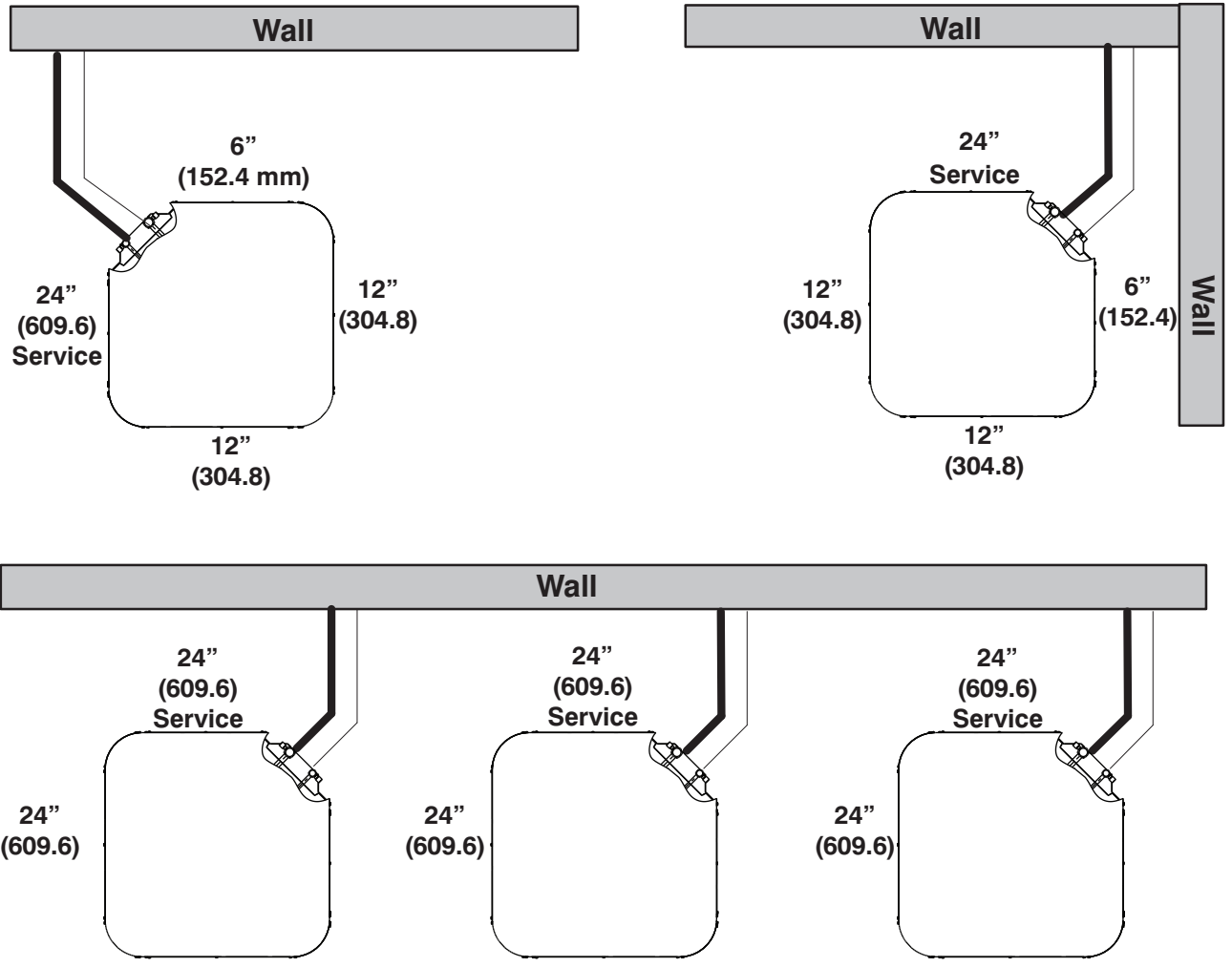
NOTE: ALL DIMENSIONS IN INCH (MM)

U.S. ECCN: Not Subject to Regulation (N.S.R.)

Manufacturer reserves the right to change, at any time, specifications and designs without notice and without obligations.

2Clearances

Clearances (various examples)



Note: Numbers in () = mm

IMPORTANT: When installing multiple units in an alcove, roof well, or partially enclosed area, ensure there is adequate ventilation to prevent re-circulation of discharge air.

Tested AHRI Combination Ratings*

NOTE: Ratings contained in this document are subject to change at any time.

For AHRI ratings certificates, please refer to the AHRI directory www.ahridirectory.org

Additional ratings and system combinations can be accessed via the Carrier database at: www.MyCarrierRatings.com Equipment performance calculator can be accessed at: <http://rpmob.wrightsoft.com/>

Model Number	Coil Model Number	Furnace Model Number	Clg Cap High	EER	SEER	ID	
						High	Low
24VNA624A**30	CAP**3617AL*+UI	58TN*A070C14**12	22600	15	23	650	500
24VNA636A**30	CAP**3721AL*+UI	58TN*A090C17**16	34400	14	23.5	1150	600
24VNA648A**30	CAP**6121AL*+UI	58TN*A110C21**20	46000	13	21.5	1450	715
24VNA660A**30	CAP**6124AL*+UI	58TN*A110C21**20	57500	13	20	1500	700

* Ratings are net values reflecting the effects of circulating fan heat. Supplemental electric heat is not included. Ratings are based on:

Cooling Standard: 80°F (27°C) db 67°F (19°C) wb indoor entering air temperature and 95°F (35°C) db air entering outdoor unit.

EER — Energy Efficiency Ratio

SEER — Seasonal Energy Efficiency Ratio

UI — User Interface

Detailed Cooling Capacities# - Comfort + Dehumidify Mode

EDB	EVAP. AIR °F (°C)	24VNA624-30 / CAP**3617AL* + 58TN*A070C14**12 Cooling COMFORT + DEHUMIDIFY MODE CONDENSER ENTERING AIR TEMPERATURES °F (°C)																											
		125 (46.1)				115 (46.1)				105 (40.6)				95 (35)				85 (29.4)				75 (23.9)				65 (18.3)			
		ID SCFM	Capacity MBtuh		Total Sys. KW**	ID SCFM	Capacity MBtuh		Total Sys. KW**	ID SCFM	Capacity MBtuh		Total Sys. KW**	ID SCFM	Capacity MBtuh		Total Sys. KW**	ID SCFM	Capacity MBtuh		Total Sys. KW**	ID SCFM	Capacity MBtuh		Total Sys. KW**	ID SCFM	Capacity MBtuh		Total Sys. KW**
			Total	Sens‡			Total	Sens‡			Total	Sens‡			Total	Sens‡			Total	Sens‡			Total	Sens‡			Total	Sens‡	
MAXIMUM DEMAND																													
75 (23.9)	72 (22.2)	590	20.11	8.25	2.47	590	21.43	8.74	2.23	580	22.61	9.17	1.87	580	23.77	9.61	1.62	630	25.38	10.00	1.41	680	26.54	10.73	1.30	680	27.39	11.05	1.30
	67 (19.4)		18.04	11.05	2.45		19.26	11.56	2.21		20.32	11.93	1.86		21.38	12.37	1.62		22.72	13.18	1.43		23.90	13.96	1.31		24.67	14.28	1.29
	63 (17.2)		16.76	12.81	2.43		17.50	13.65	2.20		18.68	14.09	1.85		19.65	14.52	1.62		20.99	15.58	1.44		22.21	16.59	1.32		23.02	16.94	1.28
	57 (13.9)		15.39	15.39	2.41		16.24	16.24	2.18		16.92	16.92	1.84		17.62	17.62	1.62		18.83	18.82	1.45		20.17	19.25	1.32		21.09	18.92	1.28
80 (26.7)	72 (22.2)	590	20.04	11.12	2.46	590	21.37	11.63	2.22	580	22.56	11.96	1.87	580	23.70	12.45	1.62	630	25.18	13.28	1.41	680	26.47	14.03	1.29	680	27.33	14.37	1.30
	67 (19.4)		18.01	13.90	2.44		19.23	14.40	2.21		20.20	14.69	1.86		21.34	15.17	1.62		22.78	16.27	1.43		23.85	17.22	1.30		24.62	17.52	1.29
	63 (17.2)		17.81	13.60	2.44		17.58	16.49	2.20		20.60	10.33	1.87		19.68	17.32	1.62		23.11	13.37	1.43		22.04	19.72	1.32		22.77	20.05	1.29
	57 (13.9)		16.44	16.44	2.42		17.33	17.33	2.20		18.03	18.03	1.85		18.76	18.76	1.62		20.03	20.03	1.45		21.19	21.19	1.32		21.75	21.75	1.28
MEDIAN DEMAND																													
75 (23.9)	72 (22.2)	445	17.76	7.21	2.13	445	18.95	7.67	1.90	440	20.07	7.92	1.67	440	18.34	7.43	1.18	465	19.06	7.72	0.98	490	19.65	7.97	0.83	490	20.28	8.21	0.86
	67 (19.4)		15.91	9.32	2.11		16.99	9.78	1.89		17.93	10.15	1.66		16.44	9.52	1.19		17.09	9.93	1.00		17.63	10.30	0.85		18.22	10.54	0.86
	63 (17.2)		14.56	10.96	2.09		15.58	11.42	1.88		16.46	11.78	1.65		15.08	11.15	1.19		15.68	11.66	1.01		16.18	12.12	0.86		16.74	12.37	0.86
	57 (13.9)		13.10	13.10	2.06		13.84	13.84	1.85		14.62	14.22	1.63		13.47	13.47	1.19		14.06	14.06	1.02		14.59	14.58	0.87		15.40	14.15	0.86
80 (26.7)	72 (22.2)	445	17.72	9.40	2.13	445	18.91	9.85	1.90	440	19.94	10.23	1.67	440	18.29	9.59	1.18	465	19.01	10.00	0.98	490	19.59	10.37	0.83	490	20.25	10.62	0.86
	67 (19.4)		15.87	11.48	2.11		16.95	11.93	1.89		17.93	12.34	1.66		16.52	11.70	1.19		17.06	12.19	1.00		17.60	12.68	0.85		18.18	12.92	0.86
	63 (17.2)		16.96	16.08	2.51		17.36	16.27	2.29		16.51	13.94	1.65		15.20	13.33	1.19		15.71	13.91	1.01		16.68	11.42	0.84		16.76	14.76	0.86
	57 (13.9)		13.98	13.97	2.08		14.75	14.75	1.87		15.36	15.36	1.64		14.43	14.43	1.19		14.99	14.99	1.01		15.54	15.54	0.86		15.96	15.96	0.86
MINIMUM DEMAND																													
75 (23.9)	72 (22.2)	300	15.01	6.00	1.94	300	15.91	6.37	1.73	300	16.71	6.71	1.57	300	12.60	5.05	0.85	300	12.04	4.83	0.68	300	12.77	5.11	0.53	300	13.11	5.24	0.57
	67 (19.4)		13.41	7.38	1.91		14.23	7.75	1.71		14.95	8.09	1.55		11.23	6.44	0.86		10.71	6.22	0.69		11.42	6.52	0.55		11.72	6.65	0.57
	63 (17.2)		12.24	8.47	1.88		13.01	8.84	1.69		13.68	9.17	1.53		10.24	7.54	0.87		9.76	7.34	0.70		10.42	7.65	0.56		10.73	7.76	0.57
	57 (13.9)		11.54	8.64	1.87		11.41	10.44	1.67		12.01	10.77	1.51		9.06	9.06	0.87		8.73	8.73	0.70		9.37	9.01	0.57		9.59	9.24	0.57
80 (26.7)	72 (22.2)	300	14.98	7.47	1.94	300	15.88	7.84	1.73	300	16.68	8.18	1.56	300	12.56	6.52	0.85	300	12.00	6.30	0.68	300	12.74	6.58	0.53	300	13.35	6.82	0.58
	67 (19.4)		13.38	8.85	1.91		14.20	9.22	1.71		14.92	9.55	1.55		11.20	7.91	0.86		10.69	7.69	0.69		11.39	7.98	0.55		11.70	8.11	0.57
	63 (17.2)		12.23	9.94	1.88		13.05	10.23	1.70		13.64	10.67	1.53		10.24	9.00	0.87		9.77	8.79	0.70		10.44	9.10	0.56		10.72	9.24	0.57
	57 (13.9)		11.12	11.12	1.86		11.67	11.67	1.67		12.14	12.14	1.51		9.70	9.70	0.87		9.35	9.35	0.70		9.86	9.86	0.57		10.07	10.07	0.57

See notes on page 17

Manufacturer reserves the right to change, at any time, specifications and designs without notice and without obligations.

Detailed Cooling Capacities# - Comfort + Dehumidify Mode (cont.)

EDB °F (°C)	EVAP. AIR °F (°C)	24VNA636-30 / CAP**3721AL* + 58TN*A090C17**12 COMFORT + DEHUMIDIFY MODE CONDENSER ENTERING AIR TEMPERATURES °F (°C)																																		
		125 (46.1)					115 (46.1)					105 (40.6)					95 (35)					85 (29.4)					75 (23.9)					65 (18.3)				
		ID SCFM	Capacity MBtuh		Total Sys. KW**	ID SCFM	Capacity MBtuh		Total Sys. KW**	ID SCFM	Capacity MBtuh		Total Sys. KW**	ID SCFM	Capacity MBtuh		Total Sys. KW**	ID SCFM	Capacity MBtuh		Total Sys. KW**	ID SCFM	Capacity MBtuh		Total Sys. KW**	ID SCFM	Capacity MBtuh		Total Sys. KW**							
Total	Sens‡		Total	Sens‡			Total	Sens‡			Total	Sens‡			Total	Sens‡			Total	Sens‡			Total	Sens‡			Total	Sens‡		Total	Sens‡	Total	Sens‡			
MAXIMUM DEMAND																																				
75 (23.9)	72 (22.2)	650	28.74	11.23	3.13	650	30.55	11.94	2.84	680	32.73	12.79	2.57	750	35.39	13.83	2.34	800	37.88	14.81	2.13	800	39.60	15.49	1.97	950	42.45	16.58	2.06							
	67 (19.4)		25.68	14.38	3.13		27.33	15.09	2.82		29.28	16.09	2.57		31.71	17.44	2.34		33.93	18.70	2.14		35.50	19.39	1.97		38.20	21.31	2.01							
	63 (17.2)		23.46	16.86	3.11		25.05	17.55	2.82		26.77	18.67	2.56		28.97	20.32	2.35		31.05	21.74	2.14		32.52	22.45	1.96		35.12	25.02	1.99							
	57 (13.9)		20.58	20.52	3.08		21.89	21.18	2.79		23.49	22.46	2.55		25.48	24.52	2.34		27.33	26.22	2.15		28.65	26.93	1.96		31.05	30.30	1.98							
80 (26.7)	72 (22.2)	650	28.65	14.51	3.14	650	30.50	15.23	2.84	680	32.67	16.24	2.57	750	35.33	17.63	2.34	800	37.81	18.87	2.13	800	39.53	19.54	1.97	950	42.19	21.67	2.06							
	67 (19.4)		25.62	17.69	3.12		27.25	18.34	2.83		29.22	19.49	2.57		31.48	21.46	2.34		33.85	22.72	2.13		35.43	23.40	1.97		38.16	26.10	2.11							
	63 (17.2)		23.04	20.78	3.10		24.40	21.43	2.81		26.16	22.70	2.56		28.27	24.75	2.35		30.39	26.48	2.14		31.82	27.18	1.96		34.31	30.56	2.00							
	57 (13.9)		21.90	21.90	3.10		23.00	23.00	2.81		24.54	24.54	2.56		26.70	26.70	2.34		28.61	28.61	2.14		31.10	31.10	2.00		32.73	32.73	1.99							
MEDIAN DEMAND																																				
75 (23.9)	72 (22.2)	530	24.50	9.57	2.62	550	26.33	10.29	2.37	590	28.39	11.10	2.14	575	27.15	10.61	1.67	600	27.96	10.92	1.45	550	28.66	11.23	1.33	625	29.98	11.72	1.37							
	67 (19.4)		21.92	12.16	2.62		23.55	12.96	2.37		25.39	13.96	2.14		24.33	13.42	1.68		25.04	13.86	1.46		25.70	13.91	1.34		26.97	14.82	1.35							
	63 (17.2)		20.02	14.18	2.61		21.51	15.06	2.36		23.22	16.22	2.14		22.23	15.62	1.69		22.91	16.16	1.47		23.53	16.02	1.34		24.76	17.25	1.34							
	57 (13.9)		17.49	17.13	2.58		18.81	18.12	2.35		20.33	19.51	2.14		19.49	18.84	1.70		20.12	19.54	1.48		20.67	19.10	1.34		21.82	20.81	1.32							
80 (26.7)	72 (22.2)	530	24.47	12.29	2.62	550	26.27	13.08	2.37	590	28.33	14.09	2.14	575	27.13	13.54	1.67	600	27.90	13.97	1.44	550	28.61	14.03	1.33	625	29.92	14.89	1.37							
	67 (19.4)		21.86	14.83	2.62		23.53	15.75	2.36		25.43	16.83	2.14		24.27	16.33	1.68		25.00	16.88	1.45		25.68	16.69	1.34		26.82	18.11	1.35							
	63 (17.2)		19.54	17.33	2.60		21.00	18.33	2.36		22.67	19.73	2.14		21.73	19.04	1.69		22.39	19.74	1.47		23.01	19.29	1.34		24.21	20.98	1.34							
	57 (13.9)		18.49	18.49	2.59		19.72	19.72	2.35		21.27	21.27	2.14		20.46	20.46	1.70		21.17	21.17	1.47		21.20	21.20	1.34		22.73	22.73	1.33							
MINIMUM DEMAND																																				
75 (23.9)	72 (22.2)	410	19.00	7.44	2.13	450	20.73	8.10	1.92	500	22.59	8.83	1.73	400	17.77	6.94	1.09	400	16.92	6.61	0.87	300	16.36	6.41	0.85	300	16.06	6.29	0.86							
	67 (19.4)		16.98	9.33	2.13		18.51	10.19	1.93		20.19	11.15	1.74		15.86	8.81	1.11		15.12	8.48	0.88		14.62	7.79	0.85		14.38	7.67	0.83							
	63 (17.2)		15.46	10.81	2.12		16.89	11.83	1.92		18.44	12.98	1.74		14.48	10.26	1.12		13.81	9.95	0.89		13.38	8.87	0.85		13.19	8.78	0.82							
	57 (13.9)		13.45	12.98	2.10		14.72	14.22	1.92		16.12	15.66	1.74		12.64	12.40	1.13		12.11	12.09	0.90		11.70	10.45	0.84		11.60	10.30	0.80							
80 (26.7)	72 (22.2)	410	18.98	9.44	2.13	450	20.69	10.30	1.92	500	22.54	11.26	1.73	400	17.71	8.91	1.09	400	16.88	8.56	0.87	300	17.08	8.41	0.85	300	16.74	8.27	0.87							
	67 (19.4)		16.92	11.31	2.13		18.47	12.36	1.93		20.15	13.57	1.74		15.81	10.75	1.11		15.08	10.41	0.88		14.65	9.30	0.83		14.42	9.19	0.82							
	63 (17.2)		15.08	13.15	2.12		16.49	14.36	1.92		18.00	15.83	1.74		14.10	12.53	1.13		13.47	12.25	0.89		13.05	10.58	0.85		12.88	10.49	0.82							
	57 (13.9)		14.12	14.12	2.11		15.46	15.46	1.92		16.97	16.97	1.74		13.38	13.37	1.13		12.90	12.90	0.90		11.78	11.78	0.85		11.67	11.67	0.80							

See notes on page 17

Manufacturer reserves the right to change, at any time, specifications and designs without notice and without obligations.

Detailed Cooling Capacities# - Comfort + Dehumidify Mode (cont.)

EDB °F (°C)	EVAP. AIR °F (°C)	24VNA648-30 / CAP**6121AL* + 58TN*A110C21**20 COMFORT + DEHUMIDIFY MODE CONDENSER ENTERING AIR TEMPERATURES °F (°C)																											
		125 (46.1)			115 (46.1)			105 (40.6)			95 (35)			85 (29.4)			75 (23.9)			65 (18.3)									
		ID SCFM	Capacity MBtuh		Total Sys. KW**	ID SCFM	Capacity MBtuh		Total Sys. KW**	ID SCFM	Capacity MBtuh		Total Sys. KW**	ID SCFM	Capacity MBtuh		Total Sys. KW**	ID SCFM	Capacity MBtuh		Total Sys. KW**	ID SCFM	Capacity MBtuh		Total Sys. KW**				
Total	Sens\$		Total	Sens\$			Total	Sens\$			Total	Sens\$			Total	Sens\$			Total	Sens\$			Total	Sens\$					
MAXIMUM DEMAND																													
75 (23.9)	72 (22.2)	835	38.19	15.10	4.53	925	42.83	16.98	4.14	1000	46.41	18.43	3.74	1070	49.76	19.79	3.36	1130	52.38	20.85	3.23	1180	53.99	21.51	3.10	1000	56.05	22.35	3.20
	67 (19.4)		34.41	18.95	4.56		38.23	21.04	4.21		41.38	22.77	3.87		44.38	24.39	3.53		46.84	25.74	3.41		49.58	27.56	3.15		50.66	27.84	3.36
	63 (17.2)		31.96	26.47	4.40		35.45	29.37	4.04		38.51	27.01	3.68		41.36	29.00	3.33		43.77	30.68	3.18		45.87	32.13	3.11		47.69	33.35	3.06
	57 (13.9)		28.32	27.06	4.31		31.33	29.97	3.96		34.03	32.50	3.63		36.61	34.89	3.30		38.88	36.96	3.14		40.88	38.75	3.05		42.68	40.28	2.98
80 (26.7)	72 (22.2)	835	38.04	19.16	4.53	925	42.74	21.49	4.14	1000	46.32	23.30	3.74	1070	49.66	25.03	3.36	1130	52.26	26.38	3.23	1180	54.26	27.44	3.20	1000	55.88	28.29	3.19
	67 (19.4)		34.31	22.99	4.56		38.14	25.53	4.21		41.30	27.62	3.87		44.29	29.59	3.53		46.73	31.24	3.41		49.47	33.30	3.15		50.54	33.77	3.36
	63 (17.2)		31.96	26.47	4.40		35.45	29.36	4.04		38.45	31.83	3.68		41.31	34.16	3.33		43.73	36.13	3.18		45.82	37.81	3.11		47.65	39.23	3.06
	57 (13.9)		29.45	29.45	4.34		32.63	32.63	3.99		35.41	35.41	3.64		38.07	38.07	3.31		40.36	40.36	3.16		42.36	42.36	3.07		44.11	44.11	3.00
MEDIAN DEMAND																													
75 (23.9)	72 (22.2)	720	33.26	13.34	3.69	760	36.45	14.62	3.26	750	36.79	14.75	2.69	785	37.78	15.16	2.26	815	38.87	15.61	1.98	840	40.28	16.18	1.78	750	39.16	15.71	1.60
	67 (19.4)		30.27	16.99	3.64		32.87	18.35	3.24		32.60	17.86	2.87		34.22	19.12	2.26		35.55	19.88	1.99		36.49	20.03	2.03		36.51	19.98	1.62
	63 (17.2)		27.96	19.81	3.60		30.21	21.26	3.21		30.53	21.36	2.66		31.50	22.19	2.26		32.78	23.10	1.99		34.51	24.13	1.81		34.05	23.12	1.62
	57 (13.9)		24.71	23.87	3.53		26.60	25.50	3.16		26.90	25.59	2.64		27.82	26.66	2.25		29.02	27.78	1.98		30.61	29.01	1.80		30.32	27.52	1.61
80 (26.7)	72 (22.2)	720	33.11	16.90	3.69	760	36.34	18.41	3.26	750	36.68	18.52	2.69	785	37.66	19.12	2.26	815	38.72	19.72	1.97	840	40.09	20.40	1.78	750	39.12	19.54	1.60
	67 (19.4)		30.17	20.54	3.64		32.79	22.12	3.24		32.52	21.61	2.87		34.13	23.07	2.26		35.45	23.98	1.99		36.40	24.26	2.03		36.42	23.77	1.62
	63 (17.2)		27.89	23.34	3.60		30.14	25.01	3.21		30.47	25.10	2.66		31.43	26.12	2.26		32.72	27.19	1.99		34.43	28.36	1.81		34.38	26.89	1.62
	57 (13.9)		25.81	25.81	3.56		27.72	27.72	3.18		27.92	27.92	2.65		28.97	28.97	2.25		30.19	30.19	1.99		31.68	31.68	1.81		30.69	30.69	1.61
MINIMUM DEMAND																													
75 (23.9)	72 (22.2)	600	27.87	10.89	2.91	600	28.61	11.18	2.48	500	25.26	9.88	1.81	500	24.64	9.63	1.41	500	25.16	9.84	1.25	500	24.89	9.73	0.96	500	25.16	9.83	0.83
	67 (19.4)		24.88	13.80	2.88		25.57	14.12	2.47		22.55	12.34	1.81		21.99	12.12	1.43		22.48	12.33	1.27		22.24	12.24	1.00		22.51	12.37	0.86
	63 (17.2)		22.69	16.09	2.85		23.35	16.42	2.46		20.57	14.27	1.81		20.06	14.07	1.44		20.52	14.29	1.28		20.30	14.21	1.02		20.56	14.35	0.88
	57 (13.9)		19.78	19.44	2.80		20.38	19.80	2.43		17.93	17.10	1.80		17.47	16.93	1.45		17.89	17.17	1.29		17.70	17.10	1.04		17.95	17.26	0.90
80 (26.7)	72 (22.2)	600	27.80	13.95	2.91	600	28.55	14.26	2.48	500	25.20	12.48	1.81	500	24.58	12.25	1.41	500	25.10	12.46	1.25	500	24.83	12.37	0.96	500	25.10	12.48	0.83
	67 (19.4)		24.81	16.84	2.88		25.50	17.17	2.47		22.49	14.92	1.81		21.93	14.71	1.43		22.42	14.94	1.27		22.18	14.86	1.00		22.45	14.99	0.86
	63 (17.2)		22.64	19.12	2.85		23.29	19.46	2.46		20.52	16.84	1.81		20.01	16.65	1.44		20.47	16.89	1.28		20.25	16.82	1.02		20.52	16.96	0.88
	57 (13.9)		20.93	20.93	2.82		21.43	21.43	2.44		18.69	18.69	1.80		18.36	18.36	1.45		18.70	18.70	1.28		18.57	18.57	1.03		18.78	18.78	0.89

See notes on page 17

Manufacturer reserves the right to change, at any time, specifications and designs without notice and without obligations.

Detailed Cooling Capacities# - Comfort + Dehumidify Mode (cont.)

EDB °F (°C)		EVAP. AIR °F (°C)		24VNA660-30 / CAP**6124AL* + 58TN*A110C21**20Cooling COMFORT + DEHUMIDIFY MODE CONDENSER ENTERING AIR TEMPERATURES °F (°C)																									
				125 (46.1)			115 (46.1)			105 (40.6)			95 (35)			85 (29.4)			75 (23.9)			65 (18.3)							
				ID SCFM	Capacity MBtuh		Total Sys. KW**	ID SCFM	Capacity MBtuh		Total Sys. KW**	ID SCFM	Capacity MBtuh		Total Sys. KW**	ID SCFM	Capacity MBtuh		Total Sys. KW**	ID SCFM	Capacity MBtuh		Total Sys. KW**	ID SCFM	Capacity MBtuh		Total Sys. KW**		
Total	Sens‡	Total	Sens‡		Total	Sens‡			Total	Sens‡			Total	Sens‡			Total	Sens‡			Total	Sens‡			Total	Sens‡			
MAXIMUM DEMAND																													
75 (23.9)	72 (22.2)	1050	47.50	18.92	5.51	1125	52.48	20.87	4.99	1250	56.27	22.32	4.56	1325	59.60	23.60	4.10	1400	60.02	23.73	3.68	1500	65.99	25.99	3.36	1500	68.48	26.97	2.96
	67 (19.4)		43.34	24.19	5.48		47.54	26.55	4.96		51.09	28.64	4.55		54.31	30.39	4.10		56.88	31.79	3.69		60.08	33.62	3.35		61.96	34.42	2.93
	63 (17.2)		40.45	28.73	5.46		43.96	31.03	4.94		47.24	33.57	4.53		50.25	35.62	4.09		52.85	37.43	3.70		55.40	39.50	3.33		57.52	40.50	2.94
	57 (13.9)		36.15	34.86	5.42		39.43	37.68	4.91		42.22	40.79	4.52		47.83	36.98	4.08		47.23	45.40	3.68		49.94	48.15	3.34		51.97	49.27	2.96
80 (26.7)	72 (22.2)	1050	45.36	23.44	5.47	1125	52.22	26.49	4.98	1250	56.42	28.70	4.58	1325	58.76	29.97	4.10	1400	62.73	31.67	3.72	1500	65.80	33.45	3.35	1500	68.28	34.43	2.96
	67 (19.4)		43.58	29.77	5.50		47.72	32.69	4.97		51.33	35.03	4.56		54.52	37.10	4.10		57.09	38.86	3.71		60.04	41.02	3.35		61.85	41.80	2.93
	63 (17.2)		39.39	33.47	5.45		44.12	36.79	4.95		47.19	39.73	4.53		50.15	42.12	4.08		52.43	44.06	3.68		55.44	46.75	3.33		57.39	47.67	2.93
	57 (13.9)		37.61	37.61	5.43		40.84	40.84	4.92		43.78	43.78	4.51		46.80	46.80	4.07		49.17	49.17	3.68		52.19	52.19	3.34		53.44	53.44	2.93
MEDIAN DEMAND																													
75 (23.9)	72 (22.2)	925	42.88	17.11	4.85	1000	47.49	18.93	4.37	1000	46.84	18.67	3.50	965	44.69	17.83	2.70	950	44.40	17.71	2.18	1000	46.22	18.43	1.86	1000	47.45	18.91	1.57
	67 (19.4)		39.24	22.02	4.83		43.11	24.08	4.35		42.49	23.82	3.49		40.54	22.77	2.71		40.29	22.60	2.19		42.01	23.60	1.87		43.18	24.11	1.58
	63 (17.2)		36.41	25.83	4.81		39.84	28.10	4.33		39.23	27.81	3.49		37.40	26.62	2.71		37.16	26.40	2.20		38.79	27.63	1.89		39.91	28.15	1.59
	57 (13.9)		32.45	31.29	4.77		35.37	33.96	4.30		34.82	33.65	3.48		34.52	29.69	2.72		32.98	31.93	2.21		34.53	33.48	1.90		35.48	33.99	1.61
80 (26.7)	72 (22.2)	925	42.89	21.90	4.85	1000	46.91	23.86	4.35	1000	46.61	24.01	3.49	965	43.98	22.51	2.69	950	44.29	22.57	2.18	1000	46.10	23.54	1.86	1000	47.31	24.02	1.57
	67 (19.4)		39.11	26.70	4.83		43.02	29.17	4.35		42.39	28.90	3.49		40.44	27.66	2.71		40.19	27.43	2.19		41.90	28.69	1.87		43.08	29.19	1.58
	63 (17.2)		36.31	30.52	4.81		39.77	33.15	4.33		39.16	32.89	3.49		37.26	31.60	2.71		37.05	31.31	2.20		38.75	32.67	1.89		39.86	33.22	1.59
	57 (13.9)		33.78	33.78	4.79		36.83	36.83	4.31		36.38	36.38	3.48		34.73	34.73	2.71		34.52	34.52	2.21		36.14	36.14	1.90		36.91	36.91	1.60
MINIMUM DEMAND																													
75 (23.9)	72 (22.2)	800	39.53	15.80	4.32	875	43.80	17.49	3.88	750	37.87	15.23	2.64	600	29.59	11.84	1.60	500	25.13	10.07	1.07	500	25.20	10.09	0.83	500	24.69	9.90	0.59
	67 (19.4)		36.01	20.27	4.30		39.79	22.21	3.86		34.14	19.18	2.64		26.72	15.02	1.62		22.19	12.49	1.09		22.82	12.76	0.86		22.37	12.57	0.63
	63 (17.2)		33.77	23.82	4.30		37.03	26.10	3.86		31.77	22.41	2.65		24.55	17.47	1.64		20.80	14.73	1.12		20.99	14.82	0.89		20.66	14.67	0.65
	57 (13.9)		30.14	28.75	4.27		32.91	31.39	3.83		28.27	26.97	2.66		22.62	19.64	1.65		19.03	16.76	1.14		18.58	17.87	0.92		18.80	17.94	0.69
80 (26.7)	72 (22.2)	800	39.43	20.07	4.32	875	43.23	21.98	3.86	750	37.84	19.17	2.64	600	29.52	15.05	1.60	500	25.06	12.74	1.07	500	25.11	12.76	0.83	500	24.58	12.55	0.59
	67 (19.4)		35.96	24.43	4.30		39.63	26.82	3.86		34.11	23.08	2.64		26.65	18.20	1.62		22.13	15.14	1.09		22.76	15.43	0.86		22.31	15.22	0.62
	63 (17.2)		33.75	28.02	4.30		36.86	30.67	3.86		31.69	26.40	2.65		24.36	20.58	1.63		20.74	17.36	1.12		20.95	17.47	0.89		20.72	17.21	0.65
	57 (13.9)		31.28	31.28	4.28		34.14	34.14	3.84		29.34	29.34	2.66		22.80	22.80	1.65		19.26	19.26	1.14		19.33	19.33	0.91		19.52	19.52	0.68

See notes on page 17

13 Manufacturer reserves the right to change, at any time, specifications and designs without notice and without obligations.

Detailed Cooling Capacities# - Cooling Efficiency Mode

24VNA624-30 / CAP**3617AL* + 58TN*A070C14**12 Cooling EFFICIENCY MODE CONDENSER ENTERING AIR TEMPERATURES deg F																																											
EDB °F (°C)	EVAP. AIR	125 (46.1)						115 (46.1)						105 (40.6)						95 (35)						85 (29.4)						75 (23.9)						65 (18.3)					
		ID SCFM	Capacity MBtuh		Total Sys. KW**	ID SCFM	Capacity MBtuh		Total Sys. KW**	ID SCFM	Capacity MBtuh		Total Sys. KW**	ID SCFM	Capacity MBtuh		Total Sys. KW**	ID SCFM	Capacity MBtuh		Total Sys. KW**	ID SCFM	Capacity MBtuh		Total Sys. KW**	ID SCFM	Capacity MBtuh		Total Sys. KW**														
			Total	Sens‡			Total	Sens‡			Total	Sens‡			Total	Sens‡			Total	Sens‡			Total	Sens‡			Total	Sens‡		Total	Sens‡	Total	Sens‡	Total	Sens‡								
MAXIMUM DEMAND																																											
75 (23.9)	72 (22.2)	900	20.81	8.91	2.60	900	22.28	9.72	2.35	900	23.69	9.91	1.99	825	24.83	10.24	1.70	825	26.09	10.70	1.47	825	27.14	11.08	1.35	825	28.03	11.40	1.36														
	67 (19.4)		18.65	13.07	2.58		20.02	13.62	2.34		21.27	14.10	1.99		22.32	14.11	1.71		23.47	14.56	1.50		24.42	14.93	1.36		25.24	15.26	1.35														
	63 (17.2)		18.35	12.21	2.58		19.50	12.99	2.34		19.63	17.37	1.99		20.56	17.13	1.71		21.60	17.58	1.51		22.47	17.97	1.37		23.24	18.30	1.34														
	57 (13.9)		17.00	17.00	2.56		18.05	18.05	2.33		18.99	18.99	1.99		19.48	19.48	1.71		20.30	20.30	1.52		20.97	20.97	1.38		21.56	21.56	1.34														
80 (26.7)	72 (22.2)	900	20.78	13.18	2.60	900	22.21	13.67	2.35	900	23.60	14.16	1.99	825	24.74	14.18	1.70	825	26.01	14.62	1.48	825	27.06	15.01	1.35	825	28.47	15.53	1.37														
	67 (19.4)		18.74	17.26	2.58		20.07	17.82	2.34		21.30	18.32	1.99		22.31	18.01	1.71		23.44	18.48	1.49		24.38	18.83	1.36		25.20	19.16	1.35														
	63 (17.2)		18.33	18.33	2.58		19.42	19.42	2.34		20.40	20.40	1.99		22.16	17.37	1.71		23.15	17.93	1.50		23.93	18.51	1.36		24.55	19.12	1.35														
	57 (13.9)		18.30	18.30	2.58		19.39	19.39	2.34		20.37	20.37	1.99		20.84	20.84	1.71		21.69	21.69	1.51		22.45	22.45	1.39		23.01	23.01	1.34														
MEDIAN DEMAND																																											
75 (23.9)	72 (22.2)	715	18.86	7.97	2.22	715	20.31	8.48	1.99	715	21.65	8.95	1.74	695	19.85	8.29	1.27	695	17.38	7.42	0.84	695	18.60	7.85	0.74	695	19.44	8.14	0.65														
	67 (19.4)		16.88	11.32	2.21		18.21	11.82	1.98		19.30	12.27	1.73		17.78	11.55	1.28		15.57	10.52	0.87		16.17	10.93	0.77		16.80	11.17	0.67														
	63 (17.2)		15.53	13.97	2.19		16.75	14.49	1.97		17.85	14.95	1.73		16.49	14.18	1.29		14.46	13.29	0.89		14.63	13.56	0.78		15.06	13.82	0.69														
	57 (13.9)		15.06	15.06	2.18		16.05	16.05	1.97		16.94	16.94	1.72		15.78	15.78	1.29		14.13	14.13	0.89		14.63	14.63	0.79		15.10	15.10	0.70														
80 (26.7)	72 (22.2)	715	18.79	11.41	2.22	715	20.11	11.88	1.99	715	21.34	12.32	1.74	695	19.69	11.60	1.26	695	17.17	10.84	0.84	695	18.53	11.20	0.74	695	19.25	11.45	0.65														
	67 (19.4)		16.90	14.71	2.21		18.09	15.20	1.98		19.20	15.64	1.73		17.71	14.83	1.28		15.51	13.94	0.87		16.16	14.21	0.76		16.80	14.47	0.67														
	63 (17.2)		16.35	16.26	2.20		17.22	17.22	1.99		18.11	18.09	1.73		16.85	16.85	1.28		15.11	15.11	0.88		15.62	15.62	0.77		16.12	16.12	0.68														
	57 (13.9)		16.19	16.19	2.20		17.21	17.21	1.98		18.14	18.14	1.73		16.92	16.92	1.29		15.20	15.20	0.88		15.72	15.72	0.77		16.22	16.22	0.68														
MINIMUM DEMAND																																											
75 (23.9)	72 (22.2)	500	16.91	6.94	1.96	500	18.11	7.38	1.75	500	19.13	7.76	1.58	500	14.45	6.07	0.96	500	8.23	3.95	0.35	500	8.81	4.14	0.24	500	9.39	4.33	0.13														
	67 (19.4)		15.00	9.26	1.94		16.02	9.67	1.73		16.94	10.04	1.57		12.60	8.31	0.96		7.37	6.33	0.38		7.87	6.53	0.28		8.37	6.72	0.19														
	63 (17.2)		13.73	11.11	1.92		16.31	7.32	1.73		15.62	11.95	1.55		11.64	10.21	0.96		6.86	6.86	0.38		7.26	7.26	0.29		7.65	7.65	0.21														
	57 (13.9)		13.41	13.41	1.89		13.57	13.57	1.70		14.29	14.29	1.54		11.28	11.28	0.96		6.95	6.95	0.39		7.36	7.36	0.30		7.75	7.75	0.21														
80 (26.7)	72 (22.2)	500	17.56	9.65	1.96	500	18.68	10.06	1.75	500	19.70	10.44	1.58	500	14.94	8.70	0.96	500	8.55	6.59	0.36	500	9.21	6.72	0.24	500	9.75	7.07	0.14														
	67 (19.4)		15.08	11.75	1.94		16.09	12.13	1.73		17.11	12.55	1.57		12.92	10.85	0.96		7.76	7.76	0.37		8.28	8.28	0.27		8.73	8.73	0.17														
	63 (17.2)		15.17	11.96	1.93		15.23	14.16	1.72		17.54	11.53	1.57		12.39	12.39	0.96		7.84	7.84	0.37		8.28	8.28	0.27		8.72	8.72	0.17														
	57 (13.9)		14.33	14.33	1.91		14.51	14.51	1.72		15.24	15.24	1.55		12.12	12.12	0.96		7.56	7.56	0.36		8.00	8.00	0.26		8.44	8.44	0.17														

See notes on page 17

Manufacturer reserves the right to change, at any time, specifications and designs without notice and without obligations.

Detailed Cooling Capacities# - Cooling Efficiency Mode (cont.)

EDB °F (°C)	EVAP. AIR °F (°C)	24VNA636-30 / CAP**3721AL* + 58TN*A090C17**12 Cooling EFFICIENCY MODE CONDENSER ENTERING AIR TEMPERATURES deg F																																		
		125 (46.1)					115 (46.1)					105 (40.6)					95 (35)					85 (29.4)					75 (23.9)					65 (18.3)				
		ID SCFM	Capacity MBtuh	Total Sys. KW**			ID SCFM	Capacity MBtuh	Total Sys. KW**			ID SCFM	Capacity MBtuh	Total Sys. KW**			ID SCFM	Capacity MBtuh	Total Sys. KW**			ID SCFM	Capacity MBtuh	Total Sys. KW**			ID SCFM	Capacity MBtuh	Total Sys. KW**							
MAXIMUM DEMAND																																				
75 (23.9)	72 (22.2)	1150	31.13	12.61	3.37	1150	33.48	13.44	3.06	1150	35.81	14.26	2.79	1150	38.02	15.06	2.48	950	39.17	15.32	2.18	1000	41.43	16.20	2.04	1150	43.81	17.18	2.14							
	67 (19.4)		27.87	18.27	3.37		29.96	19.08	3.07		32.07	19.91	2.80		34.07	20.70	2.49		35.11	19.95	2.19		37.16	21.11	2.04		39.41	22.88	2.12							
	63 (17.2)		28.21	15.14	3.36		27.42	23.48	3.07		29.35	24.33	2.80		31.23	25.14	2.49		32.13	23.62	2.19		34.06	24.95	2.04		36.20	27.31	2.09							
	57 (13.9)		24.62	24.62	3.36		26.12	26.12	3.07		27.61	27.61	2.80		29.02	29.02	2.49		28.61	28.61	2.20		30.34	30.34	2.03		32.81	32.81	2.06							
80 (26.7)	72 (22.2)	1150	31.10	18.40	3.37	1150	33.43	19.23	3.06	1150	35.75	20.06	2.78	1150	37.97	20.88	2.48	950	39.09	20.16	2.18	1000	41.34	21.26	2.04	1150	43.71	22.98	2.14							
	67 (19.4)		27.85	23.94	3.37		29.92	24.76	3.07		32.02	25.59	2.80		34.65	27.04	2.49		35.02	24.71	2.19		37.08	26.09	2.04		39.33	28.60	2.11							
	63 (17.2)		26.56	26.56	3.36		28.13	28.13	3.07		29.70	29.69	2.80		31.27	31.24	2.49		34.43	24.00	2.20		33.41	30.84	2.04		35.65	34.05	2.09							
	57 (13.9)		26.52	26.52	3.36		28.09	28.09	3.07		29.65	29.64	2.80		31.12	31.12	2.48		30.56	30.56	2.20		32.35	32.35	2.04		35.00	35.00	2.08							
MEDIAN DEMAND																																				
75 (23.9)	72 (22.2)	775	26.24	10.37	2.72	775	28.12	11.06	2.46	775	29.87	11.71	2.21	775	31.80	12.44	1.98	725	25.20	9.94	1.22	550	25.16	9.83	1.12	515	25.50	9.97	1.23							
	67 (19.4)		23.48	14.20	2.72		25.15	14.88	2.46		26.82	15.57	2.22		28.46	16.25	1.99		22.61	13.50	1.24		22.63	12.54	1.12		22.90	12.51	1.20							
	63 (17.2)		21.47	17.23	2.71		23.02	17.90	2.45		24.52	18.57	2.22		26.04	19.24	1.99		21.11	15.69	1.27		20.60	14.81	1.12		21.00	14.54	1.18							
	57 (13.9)		19.90	19.90	2.71		20.99	20.99	2.45		22.10	22.10	2.22		23.21	23.21	2.00		19.05	19.05	1.26		18.17	17.78	1.13		18.45	17.43	1.15							
80 (26.7)	72 (22.2)	775	26.23	14.33	2.72	775	28.07	15.00	2.46	775	29.92	15.69	2.21	775	31.73	16.38	1.98	725	25.17	13.64	1.22	550	25.12	12.62	1.12	515	25.42	12.58	1.22							
	67 (19.4)		23.44	18.12	2.72		25.07	18.77	2.46		26.71	19.50	2.22		28.38	20.15	1.99		22.53	17.18	1.24		22.47	15.36	1.12		22.86	15.11	1.20							
	63 (17.2)		21.33	21.32	2.72		22.59	22.42	2.45		70.84	50.01	2.56		25.57	23.87	1.99		20.43	20.43	1.26		22.25	14.49	1.12		20.63	17.49	1.17							
	57 (13.9)		21.29	21.29	2.72		22.53	22.53	2.46		23.65	23.65	2.22		24.79	24.79	1.99		20.40	20.40	1.25		19.17	19.17	1.12		19.11	19.11	1.16							
MINIMUM DEMAND																																				
75 (23.9)	72 (22.2)	600	20.50	8.07	1.83	600	21.99	8.62	1.64	600	23.47	9.18	1.47	600	24.94	9.74	1.31	600	10.27	4.52	0.47	600	11.14	4.81	0.39	600	11.85	5.04	0.30							
	67 (19.4)		18.30	10.90	1.84		19.63	11.44	1.65		20.99	12.02	1.48		22.32	12.56	1.32		9.20	7.34	0.49		9.92	7.69	0.41		10.58	7.96	0.32							
	63 (17.2)		16.69	13.13	1.83		17.90	13.74	1.65		19.17	14.22	1.48		20.40	14.80	1.33		8.71	8.71	0.49		9.32	9.32	0.42		9.85	9.85	0.33							
	57 (13.9)		15.26	15.26	1.83		16.17	16.17	1.65		17.06	17.06	1.48		18.23	17.50	1.33		8.70	8.70	0.49		9.30	9.30	0.42		9.84	9.84	0.33							
80 (26.7)	72 (22.2)	600	20.46	11.00	1.83	600	21.95	11.55	1.64	600	23.43	12.11	1.46	600	24.90	12.68	1.31	600	10.32	7.47	0.46	600	11.11	7.63	0.39	600	11.84	7.98	0.30							
	67 (19.4)		18.24	13.80	1.83		19.60	14.35	1.65		20.93	14.91	1.48		22.26	15.47	1.32		9.51	9.51	0.48		10.13	10.13	0.41		10.69	10.69	0.32							
	63 (17.2)		16.73	15.45	1.84		17.95	16.45	1.65		20.19	15.19	1.48		19.94	18.21	1.33		9.49	9.49	0.48		10.11	10.11	0.41		10.66	10.66	0.32							
	57 (13.9)		16.44	16.44	1.83		17.34	17.34	1.65		18.25	18.25	1.48		19.16	19.16	1.33		9.48	9.48	0.48		10.10	10.10	0.41		10.65	10.65	0.32							

See notes on page 17

Manufacturer reserves the right to change, at any time, specifications and designs without notice and without obligations.

Detailed Cooling Capacities# - Cooling Efficiency Mode (cont.)

EDB °F (°C)		EVAP. AIR °F (°C)		24VNA648-30 / CAP**6121AL* + 58TN*A110C21**20 Cooling EFFICIENCY MODE CONDENSER ENTERING AIR TEMPERATURES °F (°C)																																									
				125 (46.1)						115 (46.1)						105 (40.6)						95 (35)						85 (29.4)						75 (23.9)						65 (18.3)					
				ID SCFM	Capacity MBtuh		Total Sys. KW**	ID SCFM	Capacity MBtuh		Total Sys. KW**	ID SCFM	Capacity MBtuh		Total Sys. KW**	ID SCFM	Capacity MBtuh		Total Sys. KW**	ID SCFM	Capacity MBtuh		Total Sys. KW**	ID SCFM	Capacity MBtuh		Total Sys. KW**	ID SCFM	Capacity MBtuh		Total Sys. KW**														
Total	Sens‡	Total	Sens‡		Total	Sens‡			Total	Sens‡			Total	Sens‡			Total	Sens‡			Total	Sens‡			Total	Sens‡			Total	Sens‡		Total	Sens‡	Total	Sens‡	Total	Sens‡								
MAXIMUM DEMAND																																													
75 (23.9)	72 (22.2)	1450	41.29	16.75	4.90	1450	45.97	18.42	4.48	1450	49.18	19.59	4.06	1450	52.00	20.62	3.64	1450	54.93	21.72	3.27	1300	55.45	21.75	2.88	1300	56.46	22.15	2.78																
	67 (19.4)		34.41	18.95	4.56		38.23	21.04	4.21		44.40	26.63	4.04		47.02	27.70	3.63		49.74	28.82	3.29		50.51	28.26	2.90		51.31	28.60	2.78																
	63 (17.2)		34.87	29.52	4.79		38.19	30.95	4.40		40.88	32.12	4.02		43.33	33.20	3.62		45.82	34.31	3.30		46.68	33.26	2.91		47.38	33.58	2.78																
	57 (13.9)		33.20	33.20	4.76		35.69	35.69	4.36		37.74	37.74	3.99		39.57	39.57	3.60		41.42	41.42	3.31		41.63	40.51	2.91		42.21	40.83	2.77																
80 (26.7)	72 (22.2)	1450	40.95	23.77	4.89	1450	45.80	25.50	4.48	1450	49.02	26.67	4.06	1450	51.84	27.71	3.64	1450	54.77	28.80	3.27	1300	55.29	28.10	2.88	1300	56.31	28.50	2.78																
	67 (19.4)		37.47	30.87	4.84		41.37	32.43	4.43		44.30	33.62	4.04		46.91	34.69	3.63		49.64	35.82	3.29		50.40	34.56	2.90		51.20	34.90	2.78																
	63 (17.2)		31.96	26.47	4.40		38.43	37.75	4.40		41.04	39.02	4.02		43.44	40.13	3.62		45.90	41.27	3.30		46.67	39.52	2.91		47.37	39.85	2.78																
	57 (13.9)		29.45	29.45	4.34		38.12	38.12	4.40		40.26	40.26	4.01		42.17	42.17	3.62		44.08	44.08	3.30		43.70	43.70	2.91		44.22	44.22	2.78																
MEDIAN DEMAND																																													
75 (23.9)	72 (22.2)	1175	38.25	15.57	4.34	1175	42.94	17.28	3.93	1175	42.37	17.09	3.14	1085	38.68	15.65	2.26	1085	37.85	15.36	1.76	940	38.21	15.26	1.51	880	39.10	15.53	1.29																
	67 (19.4)		35.10	21.56	4.29		38.84	23.05	3.89		38.42	22.98	3.13		35.45	21.33	2.28		35.03	21.22	1.81		35.46	20.43	1.56		36.23	20.39	1.35																
	63 (17.2)		32.62	26.18	4.25		35.79	27.57	3.86		35.43	27.54	3.12		32.69	25.65	2.28		32.54	25.68	1.84		33.07	24.37	1.59		34.06	24.21	1.39																
	57 (13.9)		30.42	30.42	4.21		32.64	32.64	3.81		32.47	32.47	3.10		30.07	30.07	2.28		30.03	30.03	1.85		29.64	29.64	1.62		30.48	29.48	1.42																
80 (26.7)	72 (22.2)	1175	38.03	21.32	4.34	1175	42.77	23.05	3.93	1175	42.18	22.93	3.14	1085	38.42	21.10	2.26	1085	37.64	20.87	1.76	940	38.06	20.05	1.51	880	38.97	20.02	1.29																
	67 (19.4)		34.94	27.24	4.29		38.71	28.78	3.89		38.29	28.77	3.13		35.32	26.79	2.28		34.88	26.73	1.81		35.33	25.19	1.56		36.09	24.84	1.35																
	63 (17.2)		32.66	31.78	4.25		35.81	33.24	3.86		35.47	33.30	3.12		32.74	31.02	2.28		32.60	31.09	1.83		33.03	29.10	1.59		34.00	28.65	1.39																
	57 (13.9)		32.30	32.30	4.25		34.78	34.78	3.85		34.60	34.60	3.11		32.05	32.05	2.28		32.00	32.00	1.84		31.47	31.47	1.60		31.83	31.83	1.41																
MINIMUM DEMAND																																													
75 (23.9)	72 (22.2)	900	36.83	14.81	3.89	900	39.37	15.79	3.53	900	35.77	14.43	2.48	715	25.18	10.36	1.23	715	19.59	8.42	0.69	715	20.85	8.85	0.56	715	22.04	9.27	0.42																
	67 (19.4)		33.04	19.16	3.84		35.37	20.13	3.49		32.13	18.90	2.46		22.53	14.01	1.25		17.45	12.13	0.72		18.63	12.58	0.59		19.76	13.02	0.46																
	63 (17.2)		30.26	22.56	3.79		32.43	23.55	3.45		29.45	22.41	2.45		20.58	16.89	1.25		15.92	15.06	0.73		17.02	15.52	0.61		18.10	15.98	0.49																
	57 (13.9)		26.97	26.97	3.73		28.61	28.48	3.39		26.56	26.56	2.42		19.15	19.15	1.26		15.61	15.61	0.74		16.50	16.50	0.62		17.36	17.36	0.50																
80 (26.7)	72 (22.2)	900	36.76	19.30	3.89	900	39.30	20.28	3.53	900	35.69	19.02	2.47	715	25.12	14.13	1.23	715	19.52	12.25	0.69	715	20.78	12.68	0.56	715	21.96	13.09	0.42																
	67 (19.4)		32.95	23.60	3.84		35.28	24.58	3.49		32.03	23.44	2.46		22.45	17.75	1.25		17.43	15.92	0.72		18.59	16.39	0.59		19.72	16.82	0.46																
	63 (17.2)		30.22	26.98	3.79		32.38	27.97	3.45		29.43	26.92	2.45		20.63	20.54	1.25		16.90	16.90	0.72		17.81	17.81	0.60		18.69	18.69	0.48																
	57 (13.9)		28.77	28.77	3.76		30.38	30.38	3.42		28.34	28.34	2.44		20.54	20.54	1.25		16.87	16.87	0.72		17.78	17.78	0.60		18.65	18.65	0.48																

See notes on page 17

16 Manufacturer reserves the right to change, at any time, specifications and designs without notice and without obligations.

Detailed Cooling Capacities# - Cooling Efficiency Mode (cont.)

EDB °F (°C)	EVAP. AIR °F (°C)	24VNA660-30 / CAP**6124AL* + 58TN*A110C21**20 Cooling EFFICIENCY MODE CONDENSER ENTERING AIR TEMPERATURES °F (°C)																											
		125 (46.1)			115 (46.1)			105 (40.6)			95 (35)			85 (29.4)			75 (23.9)			65 (18.3)									
		ID SCFM	Capacity MBtuh		Total Sys. KW**	ID SCFM	Capacity MBtuh		Total Sys. KW**	ID SCFM	Capacity MBtuh		Total Sys. KW**	ID SCFM	Capacity MBtuh		Total Sys. KW**	ID SCFM	Capacity MBtuh		Total Sys. KW**	ID SCFM	Capacity MBtuh		Total Sys. KW**				
Total	Sens†		Total	Sens†			Total	Sens†			Total	Sens†			Total	Sens†			Total	Sens†			Total	Sens†		Total	Sens†		
MAXIMUM DEMAND																													
75 (23.9)	72 (22.2)	2000	48.67	19.68	6.24	2000	55.13	21.92	5.72	1650	60.51	23.92	5.05	1500	63.31	24.99	4.39	1500	63.38	24.98	3.79	1500	65.99	25.99	3.36	1500	68.48	26.97	2.96
	67 (19.4)		44.73	30.02	6.22		49.83	31.89	5.67		54.84	32.57	5.02		57.62	32.94	4.38		57.65	32.58	3.78		60.08	33.62	3.35		61.96	34.42	2.93
	63 (17.2)		42.29	37.82	6.21		46.46	39.74	5.66		50.80	39.29	5.00		53.07	38.96	4.35		53.15	38.44	3.76		55.40	39.50	3.33		57.52	40.50	2.94
	57 (13.9)		41.03	41.03	6.21		44.48	44.48	5.65		46.85	46.85	4.99		48.47	46.74	4.34		49.60	43.38	3.76		49.94	48.15	3.34		51.97	49.27	2.96
80 (26.7)	72 (22.2)	2000	48.12	29.47	6.23	2000	54.80	31.80	5.71	1650	60.22	32.78	5.05	1500	63.13	32.79	4.39	1500	63.20	32.45	3.79	1500	65.80	33.45	3.35	1500	68.28	34.43	2.96
	67 (19.4)		44.62	39.72	6.23		49.81	41.66	5.67		54.73	40.98	5.02		57.50	40.64	4.38		57.53	39.94	3.78		59.97	40.99	3.35		61.87	41.81	2.93
	63 (17.2)		43.53	43.53	6.22		47.54	47.54	5.67		50.05	47.16	4.99		53.11	46.63	4.35		53.19	45.71	3.76		55.44	46.75	3.33		57.55	47.75	2.94
	57 (13.9)		44.83	44.83	6.26		47.43	47.43	5.67		49.79	49.79	5.00		50.64	50.64	4.35		50.41	50.41	3.76		52.19	52.19	3.34		53.92	53.92	2.97
MEDIAN DEMAND																													
75 (23.9)	72 (22.2)	1750	44.81	18.39	5.36	1750	49.25	20.16	4.87	1475	48.98	19.66	3.72	1250	45.93	18.42	2.77	1100	42.74	17.14	2.04	1100	44.82	17.92	1.76	1100	46.52	18.56	1.51
	67 (19.4)		41.17	27.45	5.35		44.85	28.88	4.85		44.72	27.46	3.72		42.17	25.13	2.80		38.61	22.74	2.05		40.85	23.66	1.78		42.60	24.39	1.53
	63 (17.2)		38.54	34.56	5.34		42.33	36.18	4.83		41.41	33.28	3.72		39.05	30.14	2.80		36.15	27.38	2.08		37.54	28.02	1.79		39.33	28.82	1.53
	57 (13.9)		37.45	37.45	5.33		40.51	40.51	4.82		38.35	38.35	3.69		35.41	35.41	2.79		32.84	32.84	2.09		34.05	34.05	1.81		35.44	34.95	1.56
80 (26.7)	72 (22.2)	1750	39.66	24.12	4.59	1750	50.04	29.10	4.86	1475	48.63	27.13	3.70	1250	46.09	24.92	2.79	1100	42.67	22.79	2.05	1100	44.45	23.45	1.76	1100	45.33	23.79	1.50
	67 (19.4)		41.10	36.11	5.35		45.65	37.92	4.84		44.36	34.65	3.70		41.86	31.31	2.79		38.97	28.51	2.07		40.67	29.24	1.78		42.45	29.97	1.53
	63 (17.2)		39.83	39.83	5.34		43.46	43.46	4.84		41.41	40.46	3.70		38.87	36.28	2.79		35.92	32.81	2.07		37.78	33.66	1.79		39.48	34.42	1.54
	57 (13.9)		39.77	39.77	5.34		43.57	43.57	4.86		40.85	40.85	3.70		37.88	37.88	2.79		34.69	34.69	2.08		35.95	35.95	1.79		37.28	37.28	1.54
MINIMUM DEMAND																													
75 (23.9)	72 (22.2)	1500	41.83	17.26	4.64	1500	45.71	18.61	4.09	1300	38.61	15.93	2.67	1000	29.65	12.37	1.56	700	18.48	7.93	0.80	700	19.24	8.19	0.61	700	19.56	8.30	0.41
	67 (19.4)		38.49	25.55	4.64		41.61	26.84	4.09		35.16	22.98	2.68		26.58	17.62	1.58		16.70	11.67	0.83		17.48	11.96	0.65		17.67	12.03	0.45
	63 (17.2)		36.47	32.03	4.65		39.00	33.19	4.09		32.87	28.52	2.70		24.82	21.93	1.60		16.25	11.39	0.83		16.27	14.96	0.68		16.81	15.19	0.48
	57 (13.9)		35.11	35.11	4.64		37.23	37.23	4.08		31.47	31.47	2.70		23.89	23.89	1.61		15.11	15.11	0.85		15.84	15.84	0.68		16.43	16.43	0.50
80 (26.7)	72 (22.2)	1500	41.46	25.21	4.64	1500	45.47	26.59	4.09	1300	38.43	22.87	2.66	1000	29.47	17.69	1.56	700	18.23	11.62	0.80	700	19.01	11.88	0.61	700	18.94	11.98	0.39
	67 (19.4)		38.38	33.33	4.64		40.89	34.31	4.07		35.10	29.81	2.68		26.53	22.92	1.58		16.67	15.38	0.83		17.39	15.66	0.65		17.46	14.56	0.47
	63 (17.2)		37.38	37.37	4.66		39.09	39.09	4.08		33.67	33.67	2.70		25.57	25.57	1.59		16.25	16.25	0.83		16.94	16.94	0.66		17.20	17.20	0.46
	57 (13.9)		37.17	37.16	4.66		39.62	39.62	4.09		33.23	33.23	2.69		25.53	25.53	1.59		16.22	16.22	0.83		16.81	16.81	0.66		17.76	17.76	0.47

† Total and sensible capacities are net capacities. Blower motor heat has been subtracted.
 ‡ Sensible capacities shown are based on 80°F (27°C) entering air at the indoor coil. For sensible capacities at other than 80°F (27°C), deduct 835 Btuh (245 kW) per 1000 CFM (480 L/S) of indoor coil air for each degree below 80°F (27°C), or add 835 Btuh (245 kW) per 1000 CFM (480 L/S) of indoor coil air per degree above 80°F (27°C).
 ** System kw is total of indoor and outdoor unit kilowatts.
 # Detailed cooling capacities are based on indoor and outdoor unit at the same elevation per AHRI standard 210/240-08. If additional tubing length and/or indoor unit is located above outdoor unit, a slight variation in capacity may occur.
 NOTE: When the required data falls between the published data, interpolation may be performed. Extrapolation is not an acceptable practice.
 EWB — Entering Wet Bulb

Manufacturer reserves the right to change, at any time, specifications and designs without notice and without obligations.

Guide specifications

General

AIR-COOLED, SPLIT-SYSTEM AIR CONDITIONER

24VNA6

2 TO 5 NOMINAL TONS

System Description

Outdoor-mounted, air-cooled, split-system air conditioning unit suitable for ground or rooftop installation. Unit consists of a hermetic compressor, an air-cooled coil, forward-swept blade propeller-type condenser fan, and a control box. Unit will discharge supply air upward as shown on contract drawings. Unit will be used in a refrigeration circuit to match up to a packaged fan coil or coil unit.

Quality Assurance

- Unit will be rated in accordance with the latest edition of AHRI Standard 240.
- Unit will be certified for capacity and efficiency, and listed in the latest AHRI directory.
- Unit construction will comply with latest edition of ASHRAE and with NEC.
- Unit will be constructed in accordance with UL standards and will carry the UL label of approval. Unit will have C-UL approval.
- Unit cabinet will be capable of withstanding Federal Test Method Standard No. 141 (Method 6061) 500-hr salt spray test.
- Air-cooled condenser coils are pressure tested and the outdoor units are leak tested.
- Unit constructed in ISO9001 approved facility.

Delivery, Storage, and Handling

- Unit will be shipped as single package only and is stored and handled per unit manufacturer's recommendations.

Warranty (for inclusion by specifying engineer)

- U.S. and Canada only.

PRODUCTS

Equipment

- Factory-assembled, single-piece, air-cooled air conditioner. Contained within the unit enclosure is all factory wiring, piping, controls, compressor, refrigerant charge Puron® (R-410A) refrigerant, and special features required prior to field start-up.

Unit Cabinet

- Unit cabinet will be constructed of galvanized steel, bonderized, and coated with a powder coat paint.

Fans

- Condenser fan will be direct-drive propeller type, forward swept blade, discharging air upward.
- Condenser fan motors will be totally enclosed, 1-phase type with class B insulation and permanently lubricated.
- Shafts will be corrosion resistant.
- Fan blades will be statically and dynamically balanced.
- Condenser fan openings will be equipped with coated steel wire safety guards.

Compressor

- Compressor will be hermetically sealed.
- Compressor will be mounted on rubber vibration isolators.
- Compressor will be covered with a sound absorbing blanket.

Condenser Coil

- Condenser coil will be air cooled.
- Coil will be constructed of aluminum fins mechanically bonded to copper tubes which are then cleaned, dehydrated, and sealed.

Refrigeration Components

- Refrigeration circuit components will include liquid-line front-seating shutoff valve with sweat connections, vapor-line front-seating shutoff valve with sweat connections, system charge of Puron® (R-410A) refrigerant, PVE compressor oil, accumulator, electronic expansion valve, and reversing valve. Some models will be equipped with a brazed plate heat exchanger and vapor injection EXV
- Unit will be equipped with high-pressure switch, suction and discharge pressure transducers, and filter drier for Puron® refrigerant.

Operating Characteristics

- The capacity of the unit will meet or exceed _____ Btuh at a suction temperature of _____ °F (°C). The power consumption at full load will not exceed _____ kW.
- Combination of the unit and the evaporator or fan coil unit will have a total net cooling capacity of _____ Btuh or greater at conditions of _____ CFM entering air temperature at the evaporator at _____ °F (°C) wet bulb and _____ °F (°C) dry bulb, and air entering the unit at _____ °F (°C).
- The system will have a SEER of _____ Btuh/watt or greater at DOE conditions.

Electrical Requirements

- Nominal unit electrical characteristics will be _____ v, single phase, 60 hz. The unit will be capable of satisfactory operation within voltage limits of _____ v to _____ v.
- Unit electrical power will be single point connection.
- Control circuit will be 24v.

Special Features

- Refer to section of this literature identifying accessories and descriptions for specific features and available enhancements.
- Infinity control with appropriate software version is required for full featured operation.

System Design Summary

1. Intended for outdoor installation with free air inlet and outlet. Outdoor fan external static pressure available is less than 0.01-in. wc.
2. This product is qualified for low ambient cooling operation (below 55°F / 12.8°C) with an Infinity User Interface **ONLY**.
3. The maximum outdoor operating ambient in cooling mode is 125°F (51.67°C).
4. For reliable operation, unit should be level in all horizontal planes.
5. For interconnecting refrigerant tube lengths greater than 80 ft (23.4 m) and/or elevation differences between indoor and outdoor units greater than 20 ft (6.1 m), consult Residential Piping and Longline Guideline and Service Manual available from equipment distributor.
6. If any refrigerant tubing is buried, provide a 6 in. (152.4 mm) vertical rise to the valve connections at the unit. Refrigerant tubing lengths up to 36 in. (914.4 mm) may be buried without further consideration. Do not bury refrigerant lines longer than 36 in. (914.4 mm).
7. Use only copper wire for electric connection at unit. Aluminum and clad aluminum are not acceptable for the type of connector provided.
8. Do not apply capillary tube indoor coils to these units.
9. Factory-supplied filter drier must be installed.

