

CNPVP, CNPVT, CNPVU, CNRVU
Evaporator Coil
N Coil – Cased and Uncased
Upflow, Downflow



Product Data

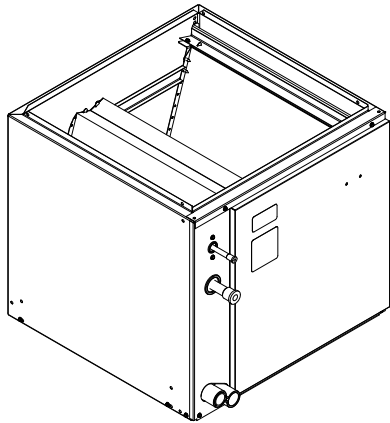


Fig. 1 – CNPVP

A06008

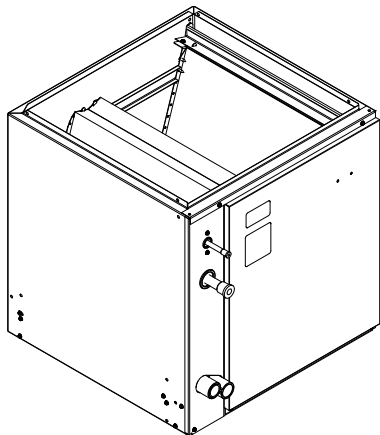


Fig. 2 – CNPVT (Transition)

A06007

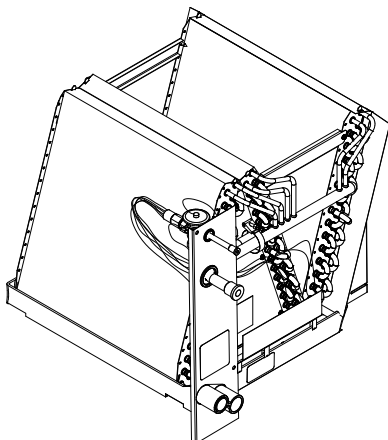


Fig. 3 – CN(P,R)VU

A06004

This vertical design N-coil is a furnace coil designed to provide the highest standards of reliability and durability. The coils are available for use in Puron®, R-410A refrigerant and R-22 systems.

Both designs have a painted case and come with factory-installed thermostatic expansion valves (TXV). The coils are offered in different width configurations for use in multiple installation applications. Additionally, they are offered in a transition configuration, a design which simplifies making field-supplied transition duct configurations. Easy maintenance is provided as the coil slides out of the cabinet after removing the access door and service panel. The coils are available in sizes 018 through 061 (1-1/2 to 5 tons).

Transition coil models CNPVT are designed for use with one size smaller width furnaces without field modifications.

Aluminum Coils: “L” models are built with aluminum hairpins, designed to resist both general pitting corrosion and excessive indoor Formicary Corrosion. (Formicary Corrosion is an industry phenomenon.)

STANDARD FEATURES

Water Management

These coil designs do an excellent job of water management. The coils are designed to avoid water blow-off into the ducts by directing condensate away from the fins and into the drain pan.

Durable Condensate Pan

Each coil is equipped with a corrosion-resistant condensate drain pan. The condensate drain pan is designed with a slope to help ensure proper drainage, improved moisture removal, and home comfort.

Compact Design

Unique design offers as much as 2 to 4 in. (51 to 102 mm) less in height to aid in tight installations.

Brass Inserts

Every condensate pan features two 3/4 in. female threaded brass insert connections. The unique brass inserts provide for a leak-free condensate line connection to prevent water damage.

Refrigerant Connections

The coils are provided with proven sweat-connections for leak-free operation maintaining system reliability.

Burst Pressures

These coils meet or exceed burst pressure of 2100 psi which is at least three to five times the pressure they will see in actual application.

Thermostatic Expansion Valves (TXV)

All Carrier coils have refrigerant-specific factory-installed TXVs.

Teflon Ring

The ring, installed inside the liquid line connection at the TXV, is the best option for preventing refrigerant leaks and future service calls. Teflon works with both Puron®, R-410A, the environmentally friendly refrigerant and R-22 refrigerants.

Protective Tube Sheets

Protect the durable copper tubing from being damaged during the manufacturing and installation process.

Table 1 – Model Number Nomenclature

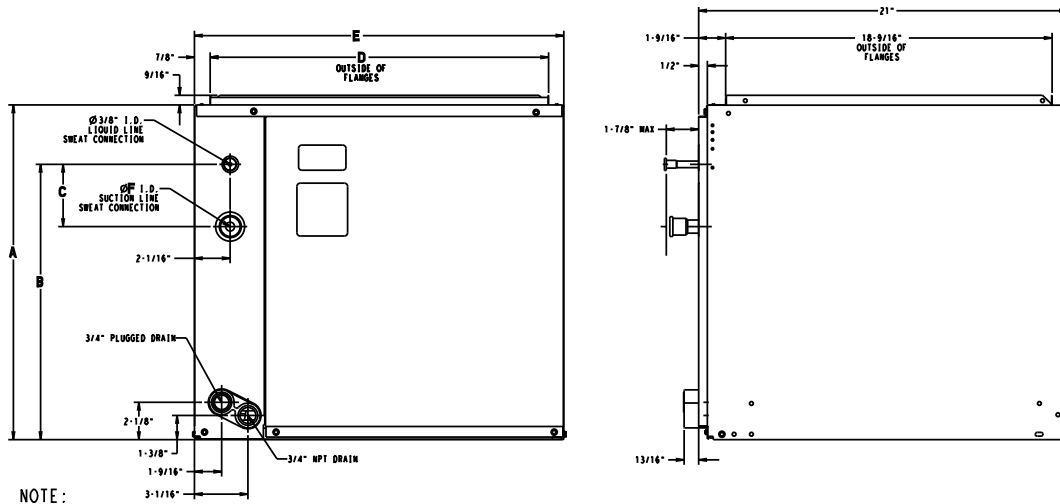
	1	2	3	4	5	6	7	8	9	10	11	12
	C	N	P	V	P	1	8	1	4	A	C	A
Product C = Coil											Variations A = Basic	
Type N = N Coil											Tubing Design C = Copper (Puron Only) L = Aluminum (R-22 & Puron) T = Tin-Plated Copper (R-22 & Puron)	
Refrigerant Type P = Puron Refrigerant TXV R = R-22 TXV											Revision Level A = 1st	
Coil Configuration V = Upflow / Downflow											Cabinet Width 14 = 14-in. / 356mm 17 = 17-in. / 432mm 21 = 21-in. / 533mm 24 = 24-in. / 610mm	
Cabinet Finish P = Painted U = Uncased T = Transition N											Unit Capacity 18 = 1 1/2 Ton 37 = 3 Ton 19 = 1 1/2 Ton 42 = 3 1/2 Ton 24 = 2 Ton 43 = 3 1/2 Ton 30 = 2 1/2 Ton 48 = 4 Ton 31 = 2 1/2 Ton 60 = 5 Ton 36 = 3 Ton 61 = 5 Ton	



Use of the AHRI Certified™ Mark indicates a manufacturer's participation in the program. For verification of certification for individual products, go to www.ahridirectory.org.



DIMENSIONS



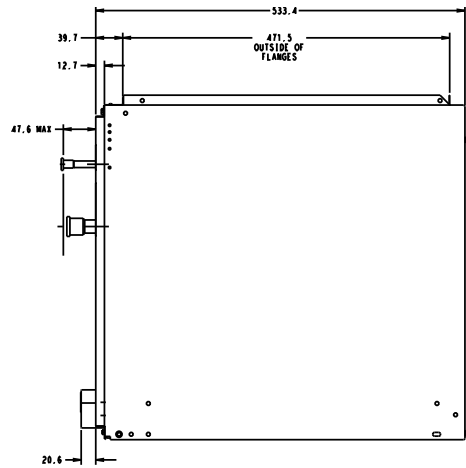
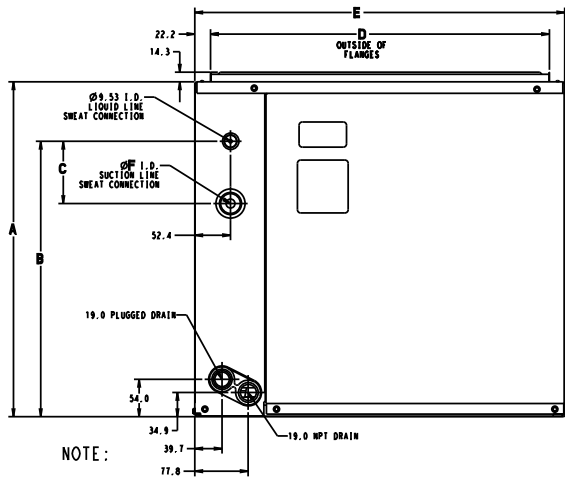
NOTE:

1. SERIES DESIGNATION IS THE 14TH POSITION OF UNIT MODEL NUMBER.
2. IN THE ELEVENTH POSITION (#) THE "C" DESIGNATES NON-COATED HAIRPINS AND "T" DESIGNATES TIN-COATED HAIRPINS.
3. ALL DIMENSIONS ARE IN "INCHES" UNLESS NOTED.

UNIT	SERIES	A	B	C	D	E	F	SHIPPING WT (LBS)	
								.C_NON-COATED HAIRPINS	.T_TIN-COATED HAIRPINS
CNPVP1814A#A	C	12 5/8"	10 1/16"	5 5/16"	12 1/2"	14 3/16"	5/8"	36.0	38.5
CNPVP2414A#A	C	14 5/8"	12 1/16"	5 5/16"	12 1/2"	14 3/16"	5/8"	39.5	40.0
CNPVP2417A#A	C	14 5/8"	10 1/16"	3 9/16"	15 3/4"	17 1/2"	5/8"	39.5	42.5
CNPVP3014A#A	C	17"	13 5/8"	5 5/16"	12 1/2"	14 3/16"	3/4"	46.5	50.0
CNPVP3017A#A	C	17"	13 7/8"	3 9/16"	15 3/4"	17 1/2"	3/4"	47.0	49.5
CNPVP3617A#A	C	17"	13 7/8"	3 9/16"	15 3/4"	17 1/2"	3/4"	48.5	51.0
CNPVP3621A#A	C	17"	13 9/16"	3 9/16"	19 1/4"	21"	3/4"	48.0	51.0
CNPVP4217A#A	C	21 1/8"	13 7/8"	3 9/16"	15 3/4"	17 1/2"	7/8"	52.0	55.0
CNPVP4221A#A	C	19"	15 5/8"	3 9/16"	19 1/4"	21"	7/8"	56.5	59.5
CNPVP4821A#A	C	22 1/16"	17 1/2"	3 9/16"	19 1/4"	21"	7/8"	65.5	68.5
CNPVP4824A#A	C	22 1/16"	17 1/4"	3 9/16"	22 3/4"	24 1/2"	7/8"	62.0	65.0
CNPVP6024A#A	C	26 7/8"	17 15/16"	3 9/19"	22 3/4"	24 1/2"	7/8"	78.0	80.5

UNIT	SERIES	A	B	C	D	E	F	SHIPPING WT (LBS)
								A - Aluminum Hairpins
CNPVP1814ALA	A	12 5/8"	10 1/16"	5 5/16"	12 1/2"	14 3/16"	5/8"	36.0
CNPVP1917ALA	A	17"	13 7/8"	3 9/16"	15 3/4"	17 1/2"	3/4"	35.9
CNPVP2414ALA	A	14 5/8"	12 1/16"	5 5/16"	12 1/2"	14 3/16"	5/8"	39.5
CNPVP2417ALA	A	14 5/8"	10 1/16"	3 9/16"	15 3/4"	17 1/2"	5/8"	39.5
CNPVP3014ALA	A	17"	13 5/8"	5 5/16"	12 1/2"	14 3/16"	3/4"	46.5
CNPVP3017ALA	A	17"	13 7/8"	3 9/16"	15 3/4"	17 1/2"	3/4"	47.0
CNPVP3117ALA	A	23 1/4"	17 1/2"	3 9/16"	15 3/4"	17 1/2"	3/4"	46.3
CNPVP3617ALA	A	17"	13 7/8"	3 9/16"	15 3/4"	17 1/2"	3/4"	48.5
CNPVP3621ALA	A	17"	13 9/16"	3 9/16"	19 1/4"	21"	3/4"	48.0
CNPVP3717ALA	A	27 3/16"	17 1/2"	3 9/16"	15 3/4"	17 1/2"	7/8"	45.2
CNPVP4217ALA	A	21 1/8"	13 7/8"	3 9/16"	15 3/4"	17 1/2"	7/8"	52.0
CNPVP4221ALA	A	19"	15 5/8"	3 9/16"	19 1/4"	21"	7/8"	56.5
CNPVP4324ALA	A	26 5/16"	17 15/16"	3 9/16"	22 3/4"	24 1/2"	7/8"	58.0
CNPVP4821ALA	A	22 1/16"	17 1/2"	3 9/16"	19 1/4"	21"	7/8"	65.5
CNPVP4824ALA	A	22 1/16"	17 1/4"	3 9/16"	22 3/4"	24 1/2"	7/8"	62.0
CNPVP6024ALA	A	26 7/8"	17 15/16"	3 9/19"	22 3/4"	24 1/2"	7/8"	78.0
CNPVP6124ALA	A	32 7/16"	17 15/16"	3 9/16"	22 3/4"	24 9/16"	7/8"	83.5

DIMENSIONS (cont.)

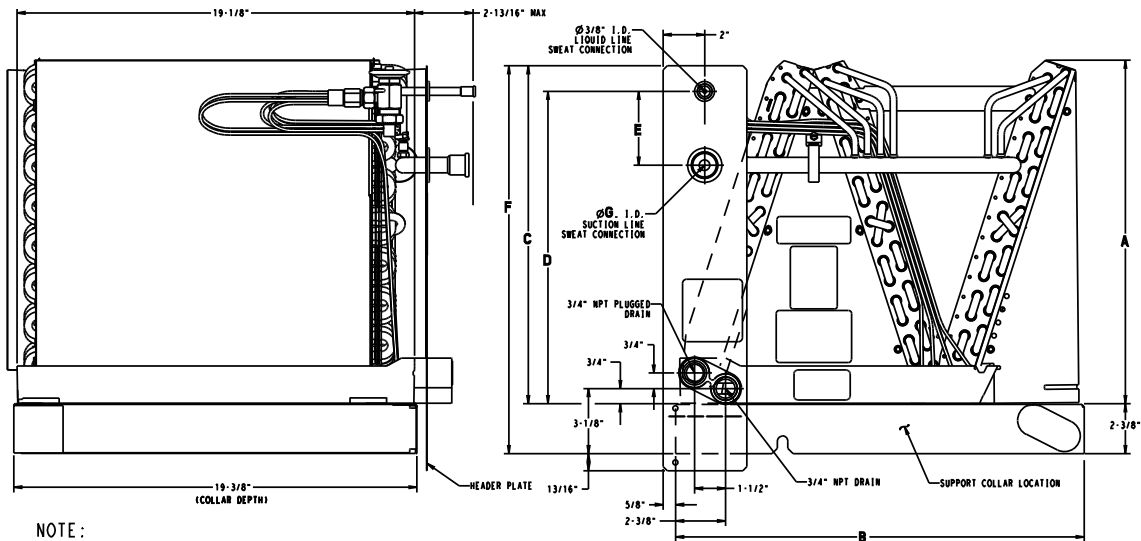


1. SERIES DESIGNATION IS THE 14TH POSITION OF UNIT MODEL NUMBER.
2. IN THE ELEVENTH POSITION (#) THE "C" DESIGNATES NON-COATED HAIRPINS AND "T" DESIGNATES TIN-COATED HAIRPINS.
3. ALL DIMENSIONS ARE IN "MM" UNLESS NOTED.

UNIT	SERIES	A	B	C	D	E	F	SHIPPING WT (Kgs) _C_NON-COATED HAIRPINS	SHIPPING WT (Kgs) _T_TIN-COATED HAIRPINS
CNPVP1814A#A	C	320.7	255.6	135.0	317.5	360.4	15.88	16.3	17.5
CNPVP2414A#A	C	371.5	306.4	135.0	317.5	360.4	15.88	17.9	18.1
CNPVP2417A#A	C	371.5	255.6	90.5	400.0	444.5	15.88	17.9	19.3
CNPVP3014A#A	C	431.8	346.1	135.0	317.5	360.4	19.05	21.1	22.7
CNPVP3017A#A	C	431.8	352.4	90.5	400.0	444.5	19.05	21.3	22.4
CNPVP3617A#A	C	431.8	352.4	90.5	400.0	444.5	19.05	22.0	23.1
CNPVP3621A#A	C	431.8	344.5	90.5	489.0	533.4	19.05	21.8	23.1
CNPVP4217A#A	C	536.6	352.4	90.5	400.0	444.5	22.23	23.6	24.9
CNPVP4221A#A	C	482.6	396.9	90.5	489.0	533.4	22.23	25.6	27.0
CNPVP4821A#A	C	560.4	444.5	90.5	489.0	533.4	22.23	29.7	31.1
CNPVP4824A#A	C	560.4	438.2	90.5	577.8	622.3	22.23	28.1	29.5
CNPVP6024A#A	C	682.6	455.6	90.5	577.8	622.3	22.23	35.4	36.5

UNIT	SERIES	A	B	C	D	E	F	SHIPPING WT (Kgs) A - Aluminum Hairpins
CNPVP1814ALA	A	320.7	255.6	135.0	317.5	360.4	15.88	16.3
CNPVP1917ALA	A	432.4	352.4	90.0	400.3	445.1	19.05	16.3
CNPVP2414ALA	A	371.5	306.4	135.0	317.5	360.4	15.88	17.9
CNPVP2417ALA	A	371.5	255.6	90.0	400.0	444.5	15.88	17.9
CNPVP3014ALA	A	431.8	346.1	135.0	317.5	360.4	19.05	21.1
CNPVP3017ALA	A	431.8	352.4	90.0	400.0	444.5	19.05	21.3
CNPVP3117ALA	A	591.2	444.0	90.0	400.3	445.1	19.05	21.0
CNPVP3617ALA	A	431.8	352.4	90.0	400.0	444.5	19.05	22.0
CNPVP3621ALA	A	431.8	344.5	90.0	489.0	533.4	19.05	21.8
CNPVP3717ALA	A	690.6	444.0	90.0	400.3	445.1	22.23	20.5
CNPVP4217ALA	A	536.6	352.4	90.0	400.0	444.5	22.23	23.6
CNPVP4221ALA	A	482.6	396.9	90.0	489.0	533.4	22.23	25.6
CNPVP4324ALA	A	668.8	455.2	90.0	578.1	622.9	22.23	26.3
CNPVP4821ALA	A	560.4	444.5	90.0	489.0	533.4	22.23	29.7
CNPVP4824ALA	A	560.4	438.2	90.0	577.8	622.3	22.23	28.1
CNPVP6024ALA	A	682.6	455.6	90.0	577.8	622.3	22.23	35.4
CNPVP6124ALA	A	824.0	455.2	90.0	578.1	623.5	22.23	37.9

DIMENSIONS (cont.)



NOTE:

1. SERIES DESIGNATION IS THE 14TH POSITION OF UNIT MODEL NUMBER.
2. ALL DIMENSIONS ARE IN "INCHES" UNLESS NOTED.

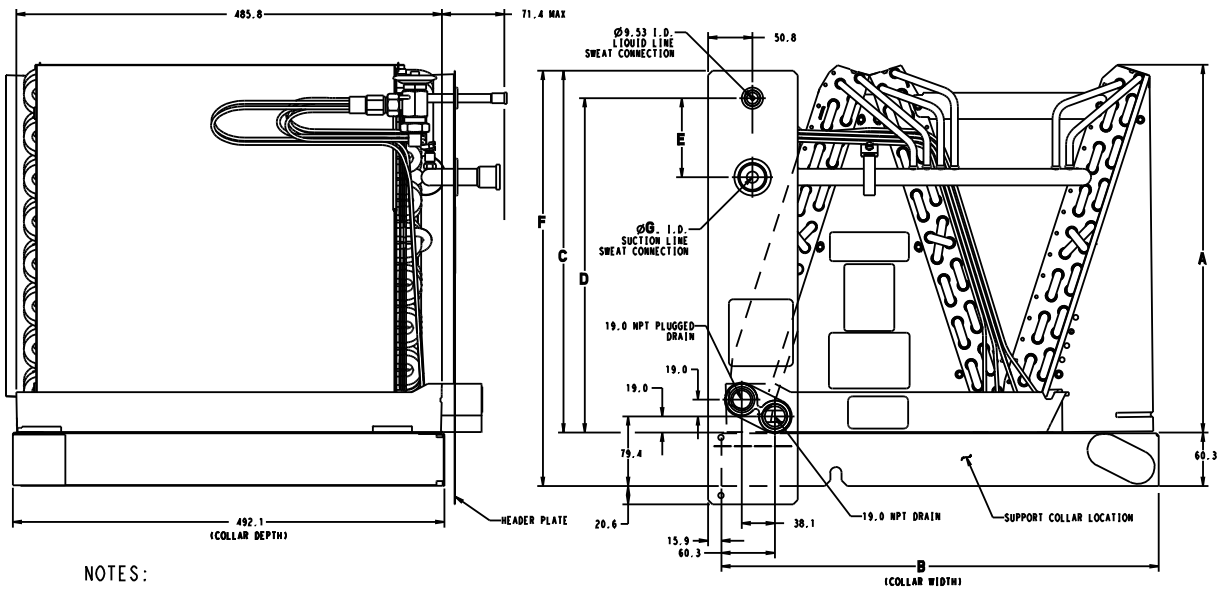
UNIT	SERIES	A	B (COLLAR WIDTH)	C	D	E	F	G	SHIPPING WT (LBS) C-NON-COATED HAIRPINS	SHIPPING WT (LBS) T-TIN-COATED HAIRPINS	SHIPPING WT (LBS) A-Aluminum Hairpins
CNPVU1917	B	14 11/16"	16 1/4"	14 1/2"	13 1/4"	3 9/16"	16 15/16"	3/4"	34.2	36.8	32.8
CNPVU3117	B	20 3/4"	16 1/4"	18 1/16"	16 13/16"	3 9/16"	20 7/16"	3/4"	43.0	46.5	41.3
CNPVU3717	B	24 3/4"	16 1/4"	18 1/16"	16 13/16"	3 9/16"	20 7/16"	7/8"	50.7	53.6	48.7
CNPVU4324	B	24 3/8"	23 1/8"	18 9/16"	17 5/16"	3 9/16"	20 15/16"	7/8"	57.3	60.4	55.0
CNPVU6124	B	30 1/2"	23 1/8"	18 9/16"	17 5/16"	3 9/16"	20 15/16"	7/8"	66.1	69.2	63.5

CN(P,R)VU

UNIT	SERIES	A	B (COLLAR WIDTH)	C	D	E	F	G	SHIPPING WT (LBS) C-Non-Coated Hairpins	SHIPPING WT (LBS) T - Tin Coated Hairpins	SHIPPING WT (LBS) A - Aluminum Hairpins
CN*VU1814	C	10 7/8"	12 7/8"	10 5/8"	9 3/8"	5 5/16"	13"	5/8"	19.5	20.7	18.7
CN*VU2414	C	12 7/8"	12 7/8"	12 5/8"	11 7/16"	5 5/16"	15"	5/8"	23.5	24.9	22.6
CN*VU2417	C	12 11/16"	16 1/4"	10 5/8"	9 3/8"	3 9/16"	13"	5/8"	24.5	26.0	23.5
CN*VU3014	C	14 7/8"	12 7/8"	14 3/16"	13"	5 5/16"	16 9/16"	3/4"	25.5	27.0	24.5
CN*VU3017	C	14 11/16"	16 1/4"	14 7/16"	13 1/4"	3 9/16"	16 13/16"	3/4"	25.5	27.0	24.5
CN*VU3617	C	14 11/16"	16 1/4"	14 7/16"	13 1/4"	3 9/16"	16 13/16"	3/4"	28.5	30.2	27.4
CN*VU3621	C	14 7/16"	19 5/8"	14 7/16"	12 15/16"	3 9/16"	16 5/8"	3/4"	28.5	30.2	27.4
CN*VU4221	C	16 1/2"	19 5/8"	16 3/16"	15"	3 9/16"	18 9/16"	7/8"	31.5	33.4	30.2
CN*VU4821	C	20 9/16"	19 5/8"	18 1/16"	16 7/8"	3 9/16"	20 7/16"	7/8"	35.5	37.6	34.1
CN*VU4824	C	20 5/16"	23 1/8"	17 7/8"	16 5/8"	3 9/16"	20 1/4"	7/8"	36.5	38.7	35.0
CN*VU6024	C	24 3/8"	23 1/8"	18 1/2"	17 5/16"	3 9/16"	20 7/8"	7/8"	37.5	39.8	36.0

A12321

DIMENSIONS (cont.)



NOTES:

1. SERIES DESIGNATION IS THE 14TH POSITION OF UNIT MODEL NUMBER.
2. ALL DIMENSIONS ARE IN "MM" UNLESS NOTED.

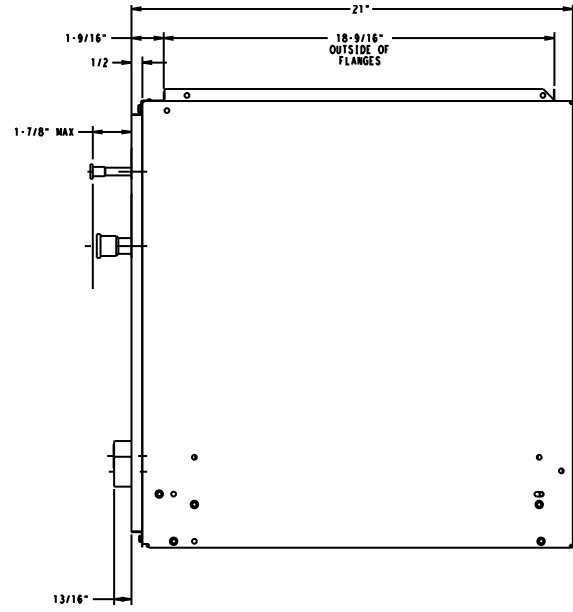
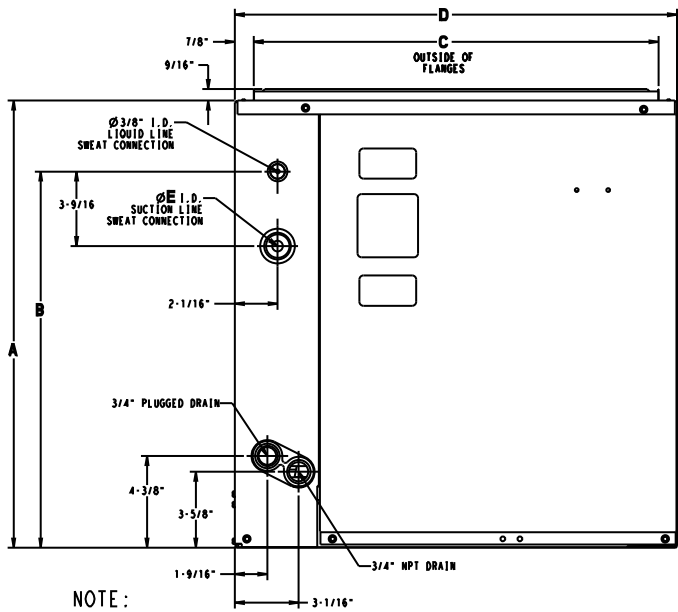
UNIT	SERIES	A	B (COLLAR WIDTH)	C	D	E	F	G	SHIPPING WT (Kgs) _C_ NON-COATED HAIRPINS	SHIPPING WT (Kgs) _T_ TIN-COATED HAIRPINS	SHIPPING WT (Kgs) A- Aluminum Hairpins
CNPVU1917	B	372.9	412.8	369.0	337.2	90.5	429.3	19.05	15.5	16.7	14.9
CNPVU3117	B	526.5	412.8	459.1	427.3	90.5	519.4	19.05	19.5	21.1	18.7
CNPVU3717	B	628.6	412.8	459.1	427.3	90.5	519.4	22.23	23.0	24.3	22.7
CNPVU4324	B	619.4	587.4	471.6	439.8	90.5	531.9	22.23	26.0	27.4	25.0
CNPVU6124	B	774.0	587.4	471.6	439.8	90.5	531.9	22.23	30.0	31.4	29.0

CN(P,R)VU

UNIT	SERIES	A	B (COLLAR WIDTH)	C	D	E	F	G	SHIPPING WT (Kgs) C-Non-Coated Hairpins	SHIPPING WT (Kgs) T- Tin Coated Hairpins	SHIPPING WT (Kgs) A- Aluminum Hairpins
CN*VU1814	C	276.2	327.0	269.9	238.1	135.0	330.2	15.88	8.8	9.4	8.8
CN*VU2414	C	327.0	327.0	12 5/8"	290.5	135.0	381.0	15.88	10.7	11.3	10.7
CN*VU2417	C	322.3	412.8	269.9	238.1	90.5	330.2	15.88	11.1	11.8	11.1
CN*VU3014	C	377.8	327.0	360.4	330.2	135.0	420.7	19.05	11.6	12.3	11.6
CN*VU3017	C	373.1	412.8	366.7	336.6	90.5	427.0	19.05	11.6	12.3	11.6
CN*VU3617	C	373.1	412.8	366.7	336.6	90.5	427.0	19.05	12.9	13.7	12.9
CN*VU3621	C	366.7	498.5	366.7	328.6	90.5	422.3	19.05	12.9	13.7	12.9
CN*VU4221	C	419.1	498.5	411.2	381.0	90.5	471.5	22.23	14.3	15.2	14.3
CN*VU4821	C	522.3	498.5	458.8	428.6	90.5	519.1	22.23	16.1	17.1	16.1
CN*VU4824	C	516.0	587.4	454.0	422.3	90.5	514.4	22.23	16.6	17.6	16.6
CN*VU6024	C	619.1	587.4	469.9	439.8	90.5	530.2	22.23	17.0	18.1	17.0

A12322

DIMENSIONS (cont.)



NOTE:

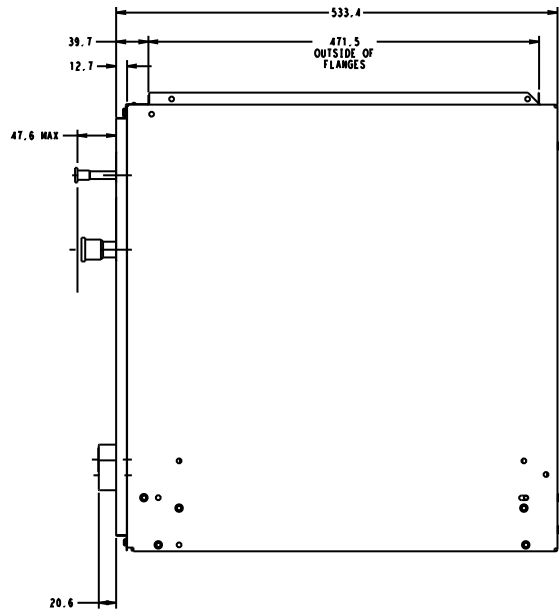
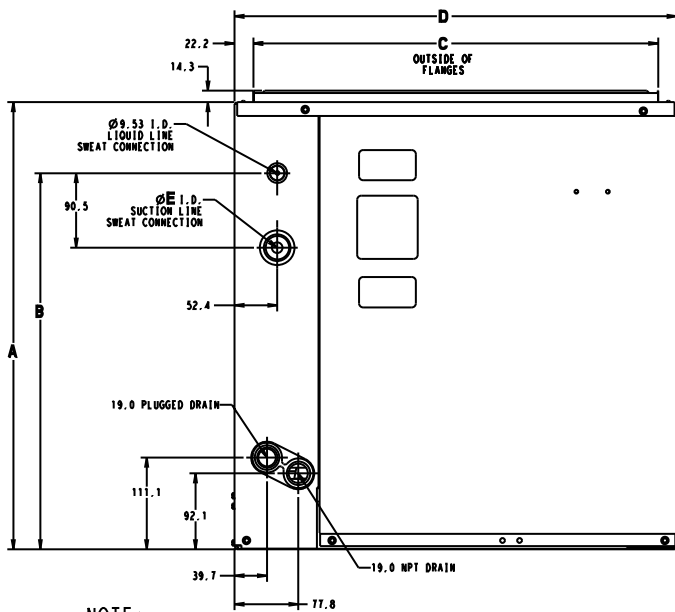
1. SERIES DESIGNATION IS THE 14TH POSITION OF UNIT MODEL NUMBER.
2. IN THE ELEVENTH POSITION (#) THE "C" DESIGNATES NON-COATED HAIRPINS AND "T" DESIGNATES TIN-COATED HAIRPINS.
3. ALL DIMENSIONS ARE IN "INCHES" UNLESS NOTED.

UNIT	SERIES	A	B	C	D	E	SHIPPING WT (lbs) _C_ (NON-COATED HAIRPINS)	SHIPPING WT (lbs) _T_ (TIN-COATED HAIRPINS)
CNPVT3617A#A	C	19 13/16"	16 1/8"	15 3/4"	17 1/2"	3/4"	48.5	51.0
CNPVT4221A#A	C	21 13/16"	17 7/8"	19 1/4"	21"	7/8"	62.0	64.5
CNPVT4821A#A	C	24 7/8"	19 3/4"	19 1/4"	21"	7/8"	71.0	73.5
CNPVT6024A#A	C	29 1/8"	20 3/16"	22 3/4"	24 1/2"	7/8"	78.0	80.5

UNIT	SERIES	A	B	C	D	E	SHIPPING WT (lbs) A - Aluminum Hairpins
CNPVT3617ALA	A	19 13/16"	16 1/8"	15 3/4"	17 1/2"	3/4"	48.5
CNPVT4221ALA	A	21 13/16"	17 7/8"	19 1/4"	21"	7/8"	62.0
CNPVT4821ALA	A	24 7/8"	19 3/4"	19 1/4"	21"	7/8"	71.0
CNPVT6024ALA	A	29 1/8"	20 3/16"	22 3/4"	24 1/2"	7/8"	78.0

A12323

DIMENSIONS (cont.)



NOTE:

1. SERIES DESIGNATION IS THE 14TH POSITION OF UNIT MODEL NUMBER.
2. IN THE ELEVENTH POSITION (#) THE "C" DESIGNATES NON-COATED HAIRPINS AND "T" DESIGNATES TIN-COATED HAIRPINS.
3. ALL DIMENSIONS ARE IN "MM" UNLESS NOTED.

UNIT	SERIES	A	B	C	D	E	SHIPPING WT (Kgs)	
							C (NON-COATED HAIRPINS)	_T_ (TIN-COATED HAIRPINS)
CNPVT3617A#A	C	503.2	409.6	400.0	444.5	19.05	22.0	23.1
CNPVT4221A#A	C	554.0	454.0	489.0	533.4	22.23	28.1	29.3
CNPVT4821A#A	C	631.8	501.6	489.0	533.4	22.23	32.2	33.3
CNPVT6024A#A	C	739.8	512.8	577.8	622.3	22.23	35.4	36.5

UNIT	SERIES	A	B	C	D	E	SHIPPING WT (Kgs)
							A - Aluminum Hairpins
CNPVT3617ALA	A	503.2	409.6	400.0	444.5	19.05	22.0
CNPVT4221ALA	A	554.0	454.0	489.0	533.4	22.23	28.1
CNPVT4821ALA	A	631.8	501.6	489.0	533.4	22.23	32.2
CNPVT6024ALA	A	739.8	512.8	577.8	622.3	22.23	35.4

A12324

PERFORMANCE DATA

Table 2 – Cooling Capacities (MBH) - Puron® Refrigerant

CNPV UNIT SIZE	INDOOR COIL AIR		SATURATED TEMPERATURE LEAVING EVAPORATOR °F (°C)														
			30 (-1)			35 (2)			40 (4)			45 (7)			50 (10)		
	CFM	EWB	TC	SHC	BF	TC	SHC	BF	TC	SHC	BF	TC	SHC	BF	TC	SHC	BF
1814	450	72 (22)	31.00	15.20	0.00	28.60	13.90	0.00	25.80	12.50	0.00	22.80	11.10	0.00	19.30	9.60	0.00
		67 (19)	26.00	15.70	0.00	23.50	14.30	0.01	20.70	12.80	0.01	17.60	11.30	0.01	14.10	9.80	0.01
		62 (17)	21.50	16.00	0.01	18.90	14.50	0.01	16.10	13.00	0.01	13.00	11.50	0.01	10.10	10.10	0.03
	600	72 (22)	38.30	18.70	0.00	35.30	17.10	0.00	32.00	15.50	0.00	28.20	13.80	0.00	23.90	12.00	0.01
		67 (19)	32.30	19.50	0.01	29.20	17.80	0.02	25.70	16.10	0.02	21.80	14.30	0.02	17.50	12.40	0.02
		62 (17)	26.70	20.10	0.02	23.50	18.40	0.02	20.00	16.60	0.02	16.20	14.80	0.02	12.90	12.90	0.06
	750	72 (22)	44.30	21.50	0.00	40.90	19.90	0.00	37.00	18.10	0.00	32.70	16.10	0.02	27.70	14.00	0.02
		67 (19)	37.40	22.80	0.03	33.90	20.90	0.03	29.90	19.00	0.03	25.40	16.90	0.03	20.40	14.70	0.04
		62 (17)	31.10	23.80	0.04	27.40	21.80	0.04	23.40	19.80	0.04	19.10	17.70	0.04	15.60	15.60	0.10
1917	450	72 (22)	43.72	21.88	0.00	40.49	20.18	0.00	36.83	18.36	0.00	32.67	16.42	0.00	27.95	14.37	0.00
		67 (19)	36.66	22.46	0.00	33.32	20.65	0.00	29.55	18.73	0.00	25.28	16.69	0.00	20.45	14.55	0.00
		62 (17)	30.28	22.93	0.01	26.83	21.02	0.01	23.00	19.03	0.01	18.79	16.98	0.01	14.88	14.88	0.04
	600	72 (22)	53.61	26.56	0.00	49.70	24.60	0.00	45.23	22.48	0.00	40.13	20.19	0.01	34.31	17.72	0.01
		67 (19)	45.00	27.67	0.01	40.96	25.56	0.01	36.35	23.28	0.01	31.10	20.84	0.01	25.13	18.26	0.01
		62 (17)	37.22	28.61	0.01	33.03	26.36	0.01	28.38	24.00	0.01	23.28	21.54	0.02	19.00	19.00	0.07
	750	72 (22)	61.74	30.45	0.00	57.28	28.32	0.00	52.17	25.97	0.01	46.32	23.41	0.02	39.65	20.66	0.02
		67 (19)	51.91	32.14	0.02	47.30	29.82	0.02	42.02	27.29	0.02	35.98	24.55	0.02	29.10	21.62	0.02
		62 (17)	42.99	33.62	0.02	38.23	31.14	0.02	32.93	28.50	0.02	27.20	25.75	0.03	22.72	22.72	0.10
2414 2417	600	72 (22)	39.00	19.00	0.00	36.00	17.50	0.00	32.70	15.90	0.00	28.80	14.10	0.00	24.60	12.30	0.01
		67 (19)	32.80	19.80	0.01	29.80	18.20	0.01	26.30	16.40	0.01	22.40	14.60	0.02	18.10	12.60	0.02
		62 (17)	27.20	20.50	0.02	24.00	18.70	0.02	20.50	16.90	0.02	16.60	15.00	0.02	13.10	13.10	0.05
	800	72 (22)	47.10	22.80	0.00	43.60	21.10	0.00	39.60	19.30	0.00	35.00	17.30	0.02	29.90	15.10	0.02
		67 (19)	39.80	24.20	0.03	36.10	22.30	0.03	32.00	20.30	0.03	27.30	18.10	0.03	22.00	15.90	0.03
		62 (17)	33.10	25.40	0.03	29.30	23.40	0.03	25.10	21.20	0.03	20.50	19.00	0.04	16.70	16.70	0.09
	1000	72 (22)	53.40	25.90	0.00	49.50	24.20	0.00	45.10	22.10	0.02	40.00	19.90	0.03	34.10	17.50	0.04
		67 (19)	45.30	27.90	0.05	41.20	25.90	0.05	36.60	23.70	0.05	31.30	21.30	0.05	25.20	18.70	0.05
		62 (17)	37.80	29.60	0.05	33.60	27.40	0.05	28.80	25.10	0.05	23.80	22.70	0.06	20.00	20.00	0.13
3014 3017	750	72 (22)	48.00	23.50	0.00	44.00	21.40	0.00	39.70	19.20	0.00	34.80	17.00	0.00	29.40	14.60	0.01
		67 (19)	40.30	24.20	0.01	36.20	22.00	0.02	31.80	19.70	0.02	26.80	17.40	0.02	21.40	15.00	0.02
		62 (17)	33.20	24.80	0.02	29.10	22.50	0.02	24.60	20.20	0.02	19.90	17.90	0.02	15.60	15.60	0.05
	1000	72 (22)	58.70	28.50	0.00	53.90	26.10	0.00	48.50	23.60	0.00	42.50	20.90	0.02	35.80	18.10	0.03
		67 (19)	49.40	29.90	0.03	44.40	27.30	0.03	38.90	24.60	0.04	32.90	21.70	0.04	26.20	18.80	0.04
		62 (17)	40.80	30.90	0.04	35.80	28.20	0.04	30.30	25.40	0.04	24.60	22.60	0.05	19.90	19.90	0.10
	1250	72 (22)	67.40	32.70	0.00	61.90	30.10	0.00	55.70	27.30	0.02	48.80	24.20	0.04	41.10	21.00	0.05
		67 (19)	56.80	34.70	0.05	51.20	31.80	0.06	44.90	28.70	0.06	37.80	25.50	0.06	30.10	22.20	0.06
		62 (17)	47.10	36.30	0.06	41.30	33.20	0.06	35.00	30.10	0.06	28.60	27.00	0.07	23.70	23.70	0.14
3117	750	72 (22)	74.50	37.07	0.00	68.51	33.85	0.00	61.86	30.50	0.00	54.41	27.00	0.00	46.04	23.35	0.00
		67 (19)	62.13	37.73	0.01	56.03	34.37	0.01	49.24	30.87	0.01	41.66	27.24	0.01	32.96	23.39	0.01
		62 (17)	50.98	38.20	0.01	44.75	34.72	0.01	37.95	31.17	0.01	30.17	27.36	0.01	23.70	23.70	0.06
	1000	72 (22)	92.35	45.51	0.00	85.01	41.76	0.00	76.78	37.78	0.00	67.46	33.54	0.01	57.03	29.08	0.01
		67 (19)	77.15	46.96	0.02	69.62	42.94	0.02	61.18	38.71	0.02	51.69	34.27	0.02	41.04	29.62	0.02
		62 (17)	63.39	48.06	0.02	55.66	43.85	0.02	47.21	39.53	0.02	38.21	35.15	0.02	30.59	30.59	0.08
	1250	72 (22)	107.37	52.63	0.00	98.97	48.52	0.00	89.37	44.04	0.01	78.59	39.23	0.02	66.39	34.13	0.02
		67 (19)	89.89	54.97	0.03	81.19	50.47	0.03	71.37	45.67	0.03	60.28	40.57	0.03	47.77	35.20	0.03
		62 (17)	73.97	56.83	0.03	64.99	52.05	0.03	55.22	47.14	0.03	44.93	42.16	0.04	36.94	36.94	0.11
3617 3621 T3617	900	72 (22)	58.10	28.30	0.00	53.40	25.90	0.00	48.00	23.30	0.00	42.10	20.60	0.01	35.50	17.80	0.02
		67 (19)	48.90	29.50	0.02	44.00	26.90	0.03	38.50	24.20	0.03	32.50	21.30	0.03	25.90	18.40	0.03
		62 (17)	40.40	30.40	0.03	35.40	27.70	0.03	29.90	24.90	0.03	24.20	22.10	0.04	19.40	19.40	0.08
	1200	72 (22)	70.00	33.90	0.00	64.30	31.20	0.00	57.80	28.30	0.02	50.70	25.10	0.04	42.70	21.80	0.05
		67 (19)	58.90	35.90	0.05	53.10	32.90	0.05	46.50	29.70	0.05	39.30	26.40	0.06	31.20	22.90	0.06
		62 (17)	48.80	37.50	0.06	42.80	34.30	0.06	36.30	31.00	0.06	29.60	27.80	0.06	24.40	24.40	0.13
	1500	72 (22)	79.30	38.60	0.00	72.90	35.60	0.02	65.70	32.30	0.05	57.50	28.80	0.06	48.50	25.10	0.07
		67 (19)	67.00	41.30	0.08	60.40	38.00	0.08	53.00	34.40	0.08	44.70	30.70	0.08	35.50	26.80	0.09
		62 (17)	55.70	43.60	0.09	48.80	40.00	0.09	41.60	36.50	0.09	34.20	32.90	0.10	28.80	28.80	0.18
3717	900	72 (22)	86.45	42.79	0.00	79.79	39.28	0.00	72.26	35.55	0.00	63.72	31.59	0.00	54.22	27.47	0.00
		67 (19)	72.26	43.90	0.01	65.40	40.18	0.01	57.69	36.26	0.01	49.03	32.14	0.01	39.27	27.83	0.01
		62 (17)	59.44	44.77	0.01	52.40	40.88	0.01	44.62	36.85	0.01	36.17	32.73	0.01	28.45	28.45	0.06
	1200	72 (22)	106.02	52.03	0.00	97.94	48.01	0.00	88.72	43.65	0.00	78.38	39.00	0.01	66.68	34.06	0.01
		67 (19)	88.80	54.21	0.02	80.47	49.85	0.02	71.05	45.21	0.02	60.40	40.28	0.02	48.31	35.05	0.02
		62 (17)	73.18	55.98	0.02	64.58	51.37	0.02	55.14	46.59	0.02	44.93	41.66	0.02	36.59	36.59	0.08
	1500	72 (22)	122.09	59.72	0.00	112.86	55.34	0.00	102.29	50.48	0.02	90.55	45.34	0.02	77.08	39.79	0.03
		67 (19)	102.46	63.03	0.03	92.95	58.22	0.03	82.20	53.07	0.03	69.94	47.52	0.03	55.95	41.57	0.03
		62 (17)	84.62	65.86	0.03	74.82	60.74	0.03	64.08	55.41	0.03	52.61	49.87	0.04	43.79	43.79	0.12

Legend:

CFM - Cubic Ft. per Minute
SHC - Gross Sensible Capacity 1000 Btuh

EWB - Entering Wet Bulb
BF - Bypass Factor

LWB - Leaving Wet Bulb
MBH - 1000 Btuh

TC - Gross Cooling Capacity 1000 Btuh

See notes on page 11.

PERFORMANCE DATA (cont.)

Table 3 – Cooling Capacities (MBH) - Puron® Refrigerant

CNPV UNIT SIZE	INDOOR COIL AIR		SATURATED TEMPERATURE LEAVING EVAPORATOR °F (°C)														
			30 (-1)			35 (2)			40 (4)			45 (7)			50 (10)		
	CFM	EWB	TC	SHC	BF	TC	SHC	BF	TC	SHC	BF	TC	SHC	BF	TC	SHC	BF
4217 4221 4224 T4221	1050	72 (22)	74.40	36.30	0.00	68.10	33.10	0.00	61.20	29.70	0.00	53.50	26.20	0.01	45.00	22.60	0.02
		67 (19)	62.30	37.60	0.02	56.00	34.20	0.03	48.90	30.60	0.03	41.20	27.00	0.03	32.80	23.30	0.03
		62 (17)	51.40	38.60	0.03	44.90	35.00	0.03	37.90	31.40	0.03	30.60	27.80	0.04	24.40	24.40	0.08
	1400	72 (22)	90.20	43.80	0.00	82.60	40.10	0.00	74.10	36.20	0.01	64.70	32.00	0.04	54.40	27.60	0.05
		67 (19)	75.80	46.00	0.05	68.00	42.00	0.05	59.40	37.70	0.06	50.00	33.40	0.06	39.60	28.90	0.06
		62 (17)	62.60	47.70	0.06	54.70	43.50	0.06	46.20	39.20	0.06	37.50	35.00	0.07	30.70	30.70	0.13
	1750	72 (22)	103.00	50.00	0.00	94.30	46.00	0.00	84.60	41.50	0.05	73.90	36.80	0.06	62.00	32.00	0.07
		67 (19)	86.70	53.10	0.08	77.80	48.60	0.08	68.00	43.90	0.08	57.10	39.00	0.08	45.20	33.90	0.09
		62 (17)	71.70	55.70	0.09	62.70	50.90	0.09	53.10	46.20	0.09	43.40	41.50	0.10	36.30	36.30	0.18
4324	1050	72 (22)	96.72	47.64	0.00	89.31	43.85	0.00	80.91	39.78	0.00	71.39	35.44	0.00	60.74	30.89	0.01
		67 (19)	80.93	49.26	0.01	73.30	45.20	0.01	64.67	40.88	0.01	54.97	36.34	0.01	43.99	31.53	0.01
		62 (17)	66.64	50.56	0.01	58.77	46.28	0.01	50.10	41.84	0.01	40.70	37.29	0.02	32.63	32.63	0.07
	1400	72 (22)	117.07	57.30	0.00	108.20	53.03	0.00	98.03	48.31	0.01	86.74	43.33	0.02	73.81	37.96	0.02
		67 (19)	98.18	60.23	0.03	89.03	55.55	0.03	78.69	50.55	0.03	66.93	45.19	0.03	53.54	39.46	0.03
		62 (17)	81.03	62.70	0.03	71.60	57.72	0.03	61.25	52.56	0.03	50.15	47.21	0.03	41.46	41.46	0.11
	1750	72 (22)	133.38	65.28	0.00	123.30	60.58	0.02	111.98	55.48	0.03	99.21	50.01	0.04	84.49	44.04	0.04
		67 (19)	112.09	69.50	0.04	101.79	64.41	0.05	90.14	58.95	0.05	76.76	52.99	0.05	61.46	46.55	0.05
		62 (17)	92.72	73.26	0.05	82.16	67.85	0.05	70.58	62.18	0.05	58.38	56.24	0.06	49.33	49.33	0.15
4821 4824 T4821	1200	72 (22)	79.30	38.70	0.00	72.90	35.40	0.00	65.70	31.90	0.00	57.70	28.20	0.00	48.80	24.40	0.01
		67 (19)	66.60	40.20	0.02	60.00	36.60	0.02	52.70	32.90	0.02	44.60	29.10	0.02	35.70	25.10	0.03
		62 (17)	55.00	41.30	0.03	48.30	37.60	0.03	40.90	33.80	0.03	33.10	30.00	0.03	26.30	26.30	0.07
	1600	72 (22)	96.00	46.60	0.00	88.30	42.90	0.00	79.60	38.90	0.00	69.90	34.50	0.03	59.10	30.00	0.04
		67 (19)	80.90	49.20	0.04	72.90	45.00	0.04	64.10	40.70	0.05	54.20	36.10	0.05	43.30	31.40	0.05
		62 (17)	67.00	51.20	0.05	58.80	46.80	0.05	49.90	42.30	0.05	40.70	37.90	0.05	33.30	33.30	0.11
	2000	72 (22)	109.40	53.10	0.00	100.70	49.10	0.00	90.90	44.60	0.03	79.90	39.80	0.05	67.50	34.70	0.06
		67 (19)	92.40	56.70	0.06	83.40	52.20	0.07	73.30	47.40	0.07	62.00	42.20	0.07	49.50	36.90	0.07
		62 (17)	76.70	59.70	0.07	67.50	54.90	0.08	57.40	49.90	0.08	47.20	44.90	0.08	39.50	39.50	0.16
6024 T6024	1600	72 (22)	103.20	50.40	0.00	94.40	45.90	0.00	84.80	41.10	0.00	74.10	36.30	0.00	62.40	31.20	0.02
		67 (19)	86.40	52.10	0.02	77.50	47.20	0.02	67.80	42.30	0.02	57.10	37.20	0.03	45.40	32.10	0.03
		62 (17)	71.20	53.30	0.03	62.20	48.30	0.03	52.40	43.30	0.03	42.30	38.30	0.03	33.50	33.50	0.07
	2000	72 (22)	120.70	58.70	0.00	110.40	53.60	0.00	99.00	48.20	0.00	86.40	42.50	0.02	72.60	36.70	0.03
		67 (19)	101.20	61.30	0.03	90.70	55.70	0.04	79.20	50.00	0.04	66.60	44.10	0.04	52.80	38.10	0.05
		62 (17)	83.40	63.20	0.05	72.80	57.40	0.05	61.40	51.60	0.05	49.70	46.00	0.05	40.30	40.30	0.11
	2400	72 (22)	135.60	65.80	0.00	124.10	60.30	0.00	111.20	54.40	0.01	97.00	48.00	0.04	81.30	41.50	0.05
		67 (19)	113.90	69.30	0.05	102.10	63.20	0.06	89.10	56.90	0.06	74.80	50.30	0.06	59.20	43.60	0.06
		62 (17)	94.10	72.10	0.06	82.10	65.70	0.06	69.30	59.30	0.06	56.40	53.00	0.07	46.50	46.50	0.14
6124 T6124	1600	72 (22)	146.13	71.69	0.00	134.50	65.77	0.00	121.56	59.54	0.00	106.83	52.86	0.00	90.32	45.83	0.01
		67 (19)	122.06	74.12	0.02	110.18	67.82	0.02	96.85	61.17	0.02	81.83	54.15	0.02	64.91	46.78	0.02
		62 (17)	100.28	76.03	0.02	88.07	69.40	0.02	74.72	62.59	0.02	60.46	55.67	0.02	48.56	48.56	0.08
	2000	72 (22)	169.63	82.84	0.00	156.39	76.39	0.00	141.33	69.41	0.01	124.36	61.86	0.02	105.10	53.83	0.02
		67 (19)	142.02	86.75	0.03	128.36	79.72	0.03	112.89	72.20	0.03	95.38	64.18	0.03	75.60	55.70	0.03
		62 (17)	116.90	89.93	0.03	102.76	82.43	0.03	87.41	74.75	0.03	71.17	66.88	0.04	58.57	58.57	0.11
	2400	72 (22)	189.44	92.42	0.00	174.81	85.58	0.00	158.22	77.98	0.02	139.30	69.76	0.03	117.75	60.94	0.04
		67 (19)	158.99	97.85	0.04	143.83	90.25	0.04	126.61	82.05	0.04	107.02	73.24	0.05	84.86	63.87	0.05
		62 (17)	131.10	102.40	0.05	115.46	94.29	0.05	98.49	85.91	0.05	80.79	77.29	0.06	67.60	67.60	0.14

Legend:

CFM - Cubic Ft. per Minute
SHC - Gross Sensible Capacity 1000 Btuh

EWB - Entering Wet Bulb
BF - Bypass Factor

LWB - Leaving Wet Bulb
MBH - 1000 Btuh

TC - Gross Cooling Capacity 1000 Btuh

See notes on following page.

NOTES:

- Contact manufacturer for cooling capacities at conditions other than shown in table.

2. Formulas:

$$\text{Leaving db} = \text{entering db} - \frac{\text{sensible heat cap.}}{1.09 \times \text{CFM}}$$

Leaving wb = wb corresponding to enthalpy of air leaving coil (hLWB)

$$h_{LWB} = h_{EWB} - \frac{\text{total capacity (Btuh)}}{4.5 \times \text{CFM}}$$

Where h_{EWB} = enthalpy of air entering coil

3. SHC is based on 80°F (27°C) db temperature of air entering the evaporator coil.
Below 80°F (27°C) db, subtract (Correction Factor x CFM) from SHC.
Above 80°F (27°C) db, add (Correction Factor x CFM) to SHC.
4. Direct interpolation is permissible. Do not extrapolate.
5. Fan motor heat has not been deducted.
6. All data points are based on 10°F (-12°C) superheat leaving coil and use of thermostatic expansion valve (TXV) device.
7. All units have sweat suction-tube connection and a liquid-tube connection. For 1-1/8-in. system suction tube, 3/4 x 1-1/8-in. suction tube connection adapter is available as accessory.
8. The CNPVP, CNPVT, AND CNPVU coils can be used in any properly designed system using Puron® refrigerant.
9. The CNRVU coils can be used in any properly designed system using R-22 refrigerant.
10. Before using maximum cfm shown in table, check coil static pressure drop to ensure system blower can provide necessary static pressure needed for coil and duct systems.
11. Bypass Factor = 0 indicates no psychometric solution. Use bypass factor of next lower EWB for approximation.

BYPASS FACTOR	ENTERING AIR DRY BULB TEMPERATURE °F (°C)					
	79 (26)	78 (26)	77 (25)	76 (24)	75 (24)	Under 75 (24)
	81 (27)	82 (28)	83 (28)	84 (29)	84 (29)	Above 85 (29)
Correction Factor						
0.10	0.98	1.96	2.94	3.92	4.91	Use formula shown below
0.20	0.87	1.74	2.62	3.49	4.36	
0.30	0.76	1.53	2.29	3.05	3.82	

Interpolation is permissible.
Correction Factor = 1.09 x (1 - BF) x (db - 80)

PERFORMANCE DATA (cont.)

Table 4 – Cooling Capacities (MBH) - R-22 Refrigerant

CNRV UNIT SIZE	INDOOR COIL AIR		SATURATED TEMPERATURE LEAVING EVAPORATOR °F (°C)														
			30 (-1)		35 (2)			40 (4)			45 (7)			50 (10)			
	CFM	EWB	TC	SHC	BF	TC	SHC	BF	TC	SHC	BF	TC	SHC	BF	TC	SHC	BF
1814	450	72 (22)	28.60	13.90	0.00	26.60	12.90	0.00	24.20	11.80	0.00	21.60	10.60	0.00	18.60	9.40	0.00
		67 (19)	24.20	14.80	0.01	22.10	13.70	0.01	19.70	12.50	0.01	16.80	11.20	0.01	13.50	9.70	0.01
		62 (17)	20.20	15.50	0.01	18.00	14.30	0.01	15.40	13.00	0.01	12.50	11.70	0.01	10.20	10.20	0.08
	600	72 (22)	33.70	16.40	0.00	31.40	15.30	0.00	28.70	14.10	0.00	25.60	12.80	0.01	22.00	11.40	0.01
		67 (19)	28.70	17.80	0.02	26.20	16.60	0.02	23.40	15.30	0.02	20.10	13.80	0.02	16.30	12.20	0.02
		62 (17)	24.00	19.00	0.02	21.50	17.80	0.02	18.60	16.40	0.02	15.40	14.80	0.03	13.00	13.00	0.12
	750	72 (22)	37.50	18.40	0.01	35.00	17.30	0.01	32.10	16.00	0.02	28.70	14.60	0.02	24.60	13.00	0.03
		67 (19)	32.00	20.30	0.03	29.40	19.10	0.03	26.20	17.70	0.03	22.60	16.10	0.03	18.60	14.40	0.03
		62 (17)	26.90	22.10	0.03	24.20	20.80	0.04	21.10	19.30	0.04	17.90	17.70	0.05	15.40	15.40	0.16
2414 2417	600	72 (22)	34.60	16.80	0.00	32.30	15.70	0.00	29.60	14.60	0.00	26.50	13.20	0.00	22.90	11.80	0.01
		67 (19)	29.40	18.30	0.01	27.00	17.10	0.01	24.20	15.70	0.01	20.90	14.30	0.01	17.10	12.60	0.02
		62 (17)	24.70	19.50	0.02	22.20	18.30	0.02	19.30	16.80	0.02	16.00	15.30	0.02	13.40	13.40	0.10
	800	72 (22)	39.50	19.40	0.01	37.10	18.40	0.01	34.20	17.10	0.02	30.70	15.70	0.02	26.60	14.10	0.02
		67 (19)	33.90	21.60	0.03	31.20	20.40	0.03	28.00	19.00	0.03	24.30	17.40	0.03	20.10	15.60	0.03
		62 (17)	28.60	23.70	0.03	25.80	22.30	0.03	22.60	20.80	0.04	19.30	19.10	0.05	16.80	16.80	0.16
	1000	72 (22)	43.20	21.50	0.03	40.60	20.50	0.04	37.50	19.20	0.04	33.80	17.70	0.04	29.30	16.00	0.04
		67 (19)	37.10	24.50	0.05	34.30	23.20	0.05	30.90	21.80	0.05	26.80	20.10	0.05	22.20	18.20	0.05
		62 (17)	31.50	27.30	0.05	28.60	25.90	0.05	25.30	24.30	0.06	22.30	22.30	0.11	19.60	19.60	0.21
3014 3017	750	72 (22)	45.90	22.30	0.00	42.50	20.60	0.00	38.60	18.80	0.00	34.10	16.80	0.01	28.60	14.60	0.01
		67 (19)	38.90	23.70	0.02	35.30	21.90	0.02	31.00	19.80	0.02	26.00	17.50	0.02	20.30	15.10	0.02
		62 (17)	32.30	24.80	0.02	28.30	22.80	0.02	24.00	20.60	0.02	19.30	18.30	0.03	15.90	15.90	0.12
	1000	72 (22)	53.80	26.20	0.00	49.90	24.40	0.01	45.40	22.40	0.02	40.30	20.20	0.03	34.30	17.80	0.03
		67 (19)	45.70	28.40	0.03	41.60	26.40	0.04	37.00	24.20	0.04	31.20	21.70	0.04	24.40	18.80	0.04
		62 (17)	38.30	30.40	0.04	34.00	28.20	0.04	29.00	25.80	0.04	23.80	23.20	0.06	20.00	20.00	0.16
	1250	72 (22)	59.80	29.30	0.03	55.50	27.40	0.04	50.60	25.30	0.04	44.80	22.90	0.05	38.40	20.40	0.05
		67 (19)	50.90	32.30	0.06	46.40	30.20	0.06	41.30	27.80	0.06	35.40	25.30	0.06	27.90	22.20	0.06
		62 (17)	42.70	35.10	0.06	38.30	32.90	0.06	33.10	30.30	0.07	27.70	27.50	0.09	23.70	23.70	0.21
3617 3621	900	72 (22)	53.50	26.00	0.00	49.50	24.10	0.00	45.10	22.10	0.01	40.00	19.90	0.02	33.80	17.40	0.02
		67 (19)	45.40	27.90	0.03	41.30	25.90	0.03	36.60	23.70	0.03	30.70	21.10	0.03	24.00	18.30	0.03
		62 (17)	37.90	29.70	0.03	33.50	27.40	0.03	28.50	24.90	0.03	23.20	22.30	0.05	19.30	19.30	0.15
	1200	72 (22)	61.60	30.10	0.02	57.20	28.20	0.03	52.10	26.00	0.04	46.20	23.50	0.04	39.60	20.90	0.05
		67 (19)	52.40	33.10	0.05	47.80	30.90	0.05	42.50	28.50	0.05	36.30	25.80	0.06	28.60	22.60	0.06
		62 (17)	44.00	35.90	0.06	39.40	33.60	0.06	34.00	30.90	0.06	28.30	28.00	0.08	24.10	24.10	0.20
	1500	72 (22)	67.50	33.40	0.06	62.90	31.40	0.06	57.40	29.10	0.07	50.80	26.50	0.07	43.60	23.70	0.08
		67 (19)	57.70	37.40	0.08	52.70	35.10	0.08	46.90	32.60	0.08	40.30	29.80	0.08	32.20	26.50	0.09
		62 (17)	48.60	41.20	0.08	43.70	38.80	0.09	38.30	36.10	0.09	32.90	32.90	0.13	28.30	28.30	0.25
4221 4224	1050	72 (22)	67.70	32.90	0.00	62.50	30.40	0.00	56.50	27.60	0.00	49.70	24.70	0.02	42.30	21.60	0.02
		67 (19)	57.10	35.00	0.03	51.70	32.20	0.03	45.60	29.30	0.03	38.80	26.20	0.03	30.30	22.60	0.03
		62 (17)	47.40	36.80	0.03	41.90	33.90	0.03	35.70	30.80	0.03	28.90	27.50	0.04	23.80	23.80	0.13
	1400	72 (22)	79.00	38.50	0.00	73.10	35.80	0.02	66.20	32.80	0.04	58.30	29.40	0.04	49.30	25.90	0.05
		67 (19)	66.90	41.80	0.05	60.70	38.70	0.05	53.50	35.40	0.06	45.50	31.90	0.06	36.30	28.10	0.06
		62 (17)	55.70	44.70	0.06	49.40	41.50	0.06	42.60	38.10	0.06	35.40	34.50	0.08	29.90	29.90	0.18
	1750	72 (22)	87.40	42.90	0.04	81.00	40.10	0.06	73.60	37.00	0.07	64.90	33.40	0.07	54.80	29.50	0.08
		67 (19)	74.30	47.40	0.08	67.60	44.20	0.08	59.70	40.60	0.08	50.60	36.70	0.08	40.90	32.80	0.09
		62 (17)	62.20	51.40	0.09	55.30	48.10	0.09	47.90	44.50	0.09	40.70	40.70	0.11	35.20	35.20	0.23
4821 4824	1200	72 (22)	72.40	35.20	0.00	67.30	32.70	0.00	61.20	30.00	0.00	54.20	27.00	0.01	46.30	23.70	0.02
		67 (19)	61.40	37.70	0.02	55.90	35.00	0.02	49.50	32.00	0.02	42.40	28.80	0.02	34.10	25.20	0.03
		62 (17)	51.20	40.00	0.03	45.50	37.00	0.03	39.20	33.90	0.03	32.20	30.50	0.03	26.70	26.70	0.12
	1600	72 (22)	83.80	41.00	0.00	78.00	38.40	0.02	71.30	35.40	0.03	63.30	32.10	0.03	54.00	28.50	0.04
		67 (19)	71.40	44.90	0.04	65.20	42.00	0.04	58.00	38.70	0.05	49.50	35.00	0.05	40.30	31.20	0.05
		62 (17)	59.80	48.50	0.05	53.40	45.30	0.05	46.30	41.90	0.05	39.00	38.30	0.07	33.40	33.40	0.17
	2000	72 (22)	92.10	45.50	0.04	86.00	42.90	0.05	78.70	39.80	0.05	70.10	36.40	0.06	60.00	32.50	0.06
		67 (19)	78.70	50.90	0.07	72.10	47.80	0.07	64.30	44.40	0.07	55.10	40.40	0.07	44.90	36.30	0.07
		62 (17)	66.30	55.90	0.07	59.60	52.60	0.07	52.10	48.90	0.08	44.90	44.90	0.11	39.20	39.20	0.22
6024	1600	72 (22)	93.60	45.40	0.00	86.30	41.90	0.00	77.90	38.00	0.00	68.30	33.80	0.01	58.00	29.60	0.02
		67 (19)	78.90	48.10	0.02	71.20	44.20	0.02	62.70	40.10	0.02	53.20	35.70	0.03	41.70	30.80	0.03
		62 (17)	65.40	50.40	0.03	57.70	46.30	0.03	49.20	42.00	0.03	39.60	37.40	0.04	32.50	32.50	0.12
	2000	72 (22)	106.40	51.70	0.00	98.20	47.90	0.00	88.80	43.70	0.02	78.00	39.10	0.03	65.80	34.10	0.03
		67 (19)	89.90	55.50	0.04	81.30	51.30	0.04	71.50	46.70	0.04	60.60	41.80	0.04	48.30	36.60	0.04
		62 (17)	74.70	58.90	0.04	65.90	54.40	0.04	56.60	49.70	0.05	46.50	44.80	0.06	38.90	38.90	0.16
	2400	72 (22)	116.60	57.00	0.00	107.90	53.00	0.03	97.70	48.50	0.04	85.90	43.60	0.05	72.30	38.20	0.05
		67 (19)	98.90	61.90	0.06	89.60	57.50	0.06	78.90	52.50	0.06	66.60	47.20	0.06	53.70	41.80	0.06
		62 (17)	82.30	66.40	0.06	72.90	61.70	0.06	62.70	56.70	0.07	52.60	51.60	0.08	44.70	44.70	0.19

Legend:

CFM - Cubic Ft. per Minute
SHC - Gross Sensible Capacity 1000 Btuh

EWB - Entering Wet Bulb
BF - Bypass Factor

LWB - Leaving Wet Bul

PERFORMANCE DATA (cont.)

Table 5 – Coil Static Pressure Drop (in. w.c.) Puron® and R-22 Refrigerants

UNIT SIZE	Standard CFM																		
	400	500	600	700	800	900	1000	1100	1200	1300	1400	1500	1600	1700	1800	1900	2000	2100	2200
1814	Dry																		
	0.078	0.114	0.156	0.198	0.253														
	Wet																		
	0.096	0.138	0.183	0.213	0.277														
1917	Dry																		
	0.042	0.060	0.080	0.102	0.128														
	Wet																		
	0.055	0.076	0.104	0.127	0.158														
2414	Dry																		
	0.070	0.103	0.143	0.182	0.233	0.290	0.354												
	Wet																		
	0.089	0.128	0.171	0.214	0.269	0.336	0.413												
2417	Dry																		
	0.048	0.068	0.090	0.112	0.140	0.170	0.203												
	Wet																		
	0.064	0.091	0.122	0.150	0.188	0.224	0.263												
3014	Dry																		
	0.065	0.097	0.135	0.173	0.223	0.278	0.339	0.405	0.478										
	Wet																		
	0.078	0.114	0.160	0.206	0.260	0.321	0.388	0.461	0.540										
3017	Dry																		
	0.042	0.060	0.080	0.102	0.128	0.157	0.188	0.222	0.259										
	Wet																		
	0.055	0.076	0.104	0.127	0.158	0.190	0.225	0.266	0.309										
3117	Dry																		
	0.031	0.046	0.063	0.083	0.105	0.130	0.156	0.193	0.230										
	Wet																		
	0.039	0.056	0.075	0.097	0.121	0.149	0.179	0.212	0.249										
3617 T3617	Dry																		
	0.043	0.061	0.082	0.103	0.128	0.157	0.189	0.221	0.259	0.299	0.341								
	Wet																		
	0.056	0.079	0.107	0.133	0.166	0.200	0.236	0.276	0.315	0.361	0.413								
3621	Dry																		
	0.035	0.048	0.062	0.076	0.093	0.111	0.132	0.153	0.177	0.201	0.228								
	Wet																		
	0.049	0.066	0.085	0.100	0.122	0.144	0.171	0.192	0.217	0.245	0.276								
3717	Dry																		
	0.025	0.038	0.054	0.072	0.093	0.117	0.143	0.171	0.205	0.233	0.273								
	Wet																		
	0.030	0.044	0.061	0.079	0.103	0.125	0.154	0.182	0.216	0.251	0.288								
4217	Dry																		
			0.072	0.093	0.118	0.145	0.175	0.206	0.243	0.281	0.322	0.366	0.413						
	Wet																		
		0.079	0.102	0.130	0.159	0.192	0.228	0.26	0.303	0.348	0.396	0.446							
4221 T4221	Dry																		
	0.030	0.041	0.054	0.066	0.082	0.099	0.118	0.137	0.158	0.180	0.205	0.231	0.259						
	Wet																		
	0.043	0.059	0.078	0.101	0.126	0.153	0.181	0.207	0.234	0.260	0.288	0.319	0.354						
4324	Dry																		
				0.053	0.062	0.073	0.084	0.097	0.111	0.126	0.138	0.154	0.172	0.190	0.210				
	Wet																		
			0.067	0.082	0.096	0.112	0.129	0.145	0.163	0.171	0.191	0.212	0.235	0.258					
4821 T4821	Dry																		
			0.047	0.060	0.075	0.092	0.110	0.130	0.152	0.176	0.204	0.230	0.256	0.284	0.318				
	Wet																		
		0.053	0.067	0.085	0.104	0.125	0.147	0.172	0.200	0.228	0.259	0.292	0.327	0.365					
4824	Dry																		
			0.015	0.046	0.057	0.069	0.094	0.100	0.119	0.124	0.140	0.158	0.175	0.195	0.214				
	Wet																		
		0.032	0.050	0.066	0.081	0.097	0.114	0.131	0.150	0.169	0.190	0.211	0.233	0.257					
6024 T6024	Dry																		
					0.062	0.073	0.084	0.097	0.111	0.126	0.138	0.154	0.172	0.190	0.210	0.228	0.251	0.273	0.293
	Wet																		
				0.082	0.096	0.112	0.129	0.145	0.163	0.171	0.191	0.212	0.235	0.258	0.283	0.310	0.336	0.366	
6124 T6124	Dry																		
										0.130	0.140	0.160	0.180	0.200	0.220	0.240	0.270	0.290	
	Wet																		
										0.150	0.170	0.190	0.210	0.230	0.260	0.290	0.310	0.340	

ACCESSORIES**Table 6 – Empty Coil Casing Accessory for Uncased N-coil**

ACCESSORY PART NUMBER	NOMINAL COIL SIZES	DIMENSIONS in (mm)		
		H	W	D
KCAKC2612ECC	CN*VU1814, 2414, 3014,	17 (432)	14-3/16 (361)	21 (533)
KCAKC2712ECC	CN*VU2417, 3017, 3617	17 (432)	17-1/2 (445)	21 (533)
KCAKC2808ECC	CN*VU3621, 4221, 4821	22-1/16 (560)	21 (533)	21 (533)
KCAKC2904ECC	CN*VU4824, 6024	26-5/16 (668)	24-1/2 (622)	21 (533)

Table 7 – Coupling Kit Accessory for Uncased Vertical N-coil

ACCESSORY PART NUMBER	NOMINAL COIL SIZES	DESCRIPTION
KCART0101MHA	CN*VU2417	5/8-in. Mechanical Connection Kit
KCART0101MHA	CN*VU3617, 4821	3/4-in. Mechanical Connection Kit